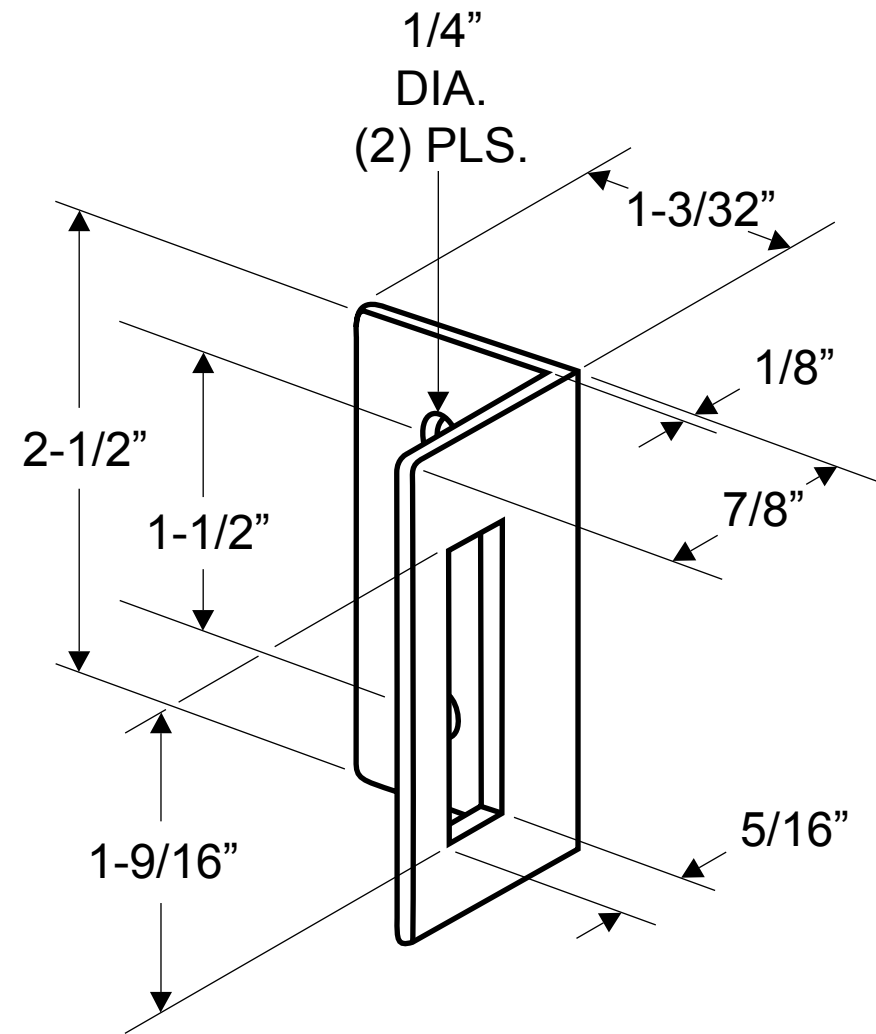


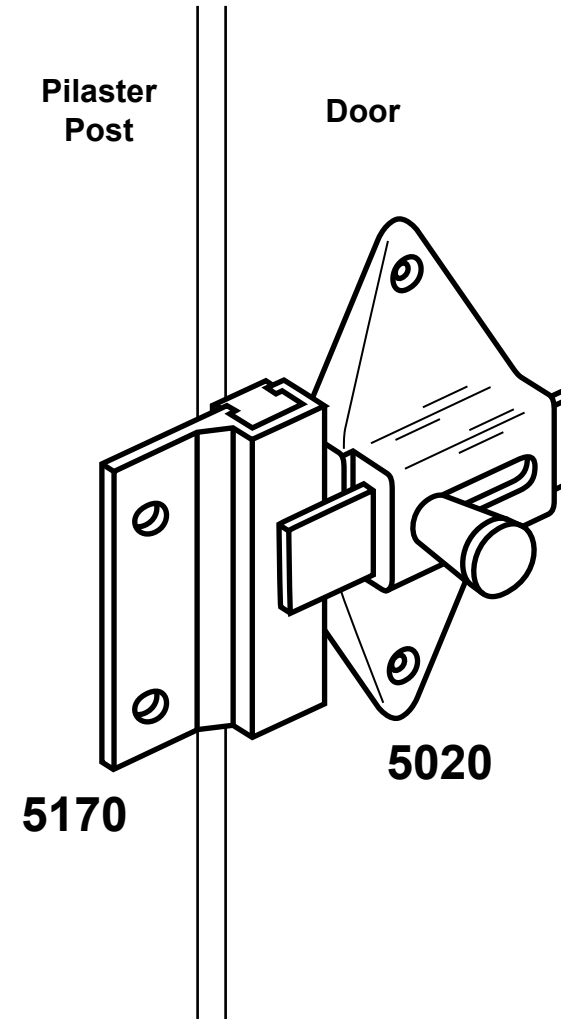
**5160, 5161, 5162, 5163, 5164
(KEEPER - INSWING FLAT)**



NOTE: FOR SQUARE EDGE POST

**INSTRUCTIONS FOR INSTALLING
5160, 5170, 5180 STRIKE & KEEPER
WITH 5020, 5030 SLIDE LATCH**

OUTSWING APPLICATION



INSWING APPLICATION

