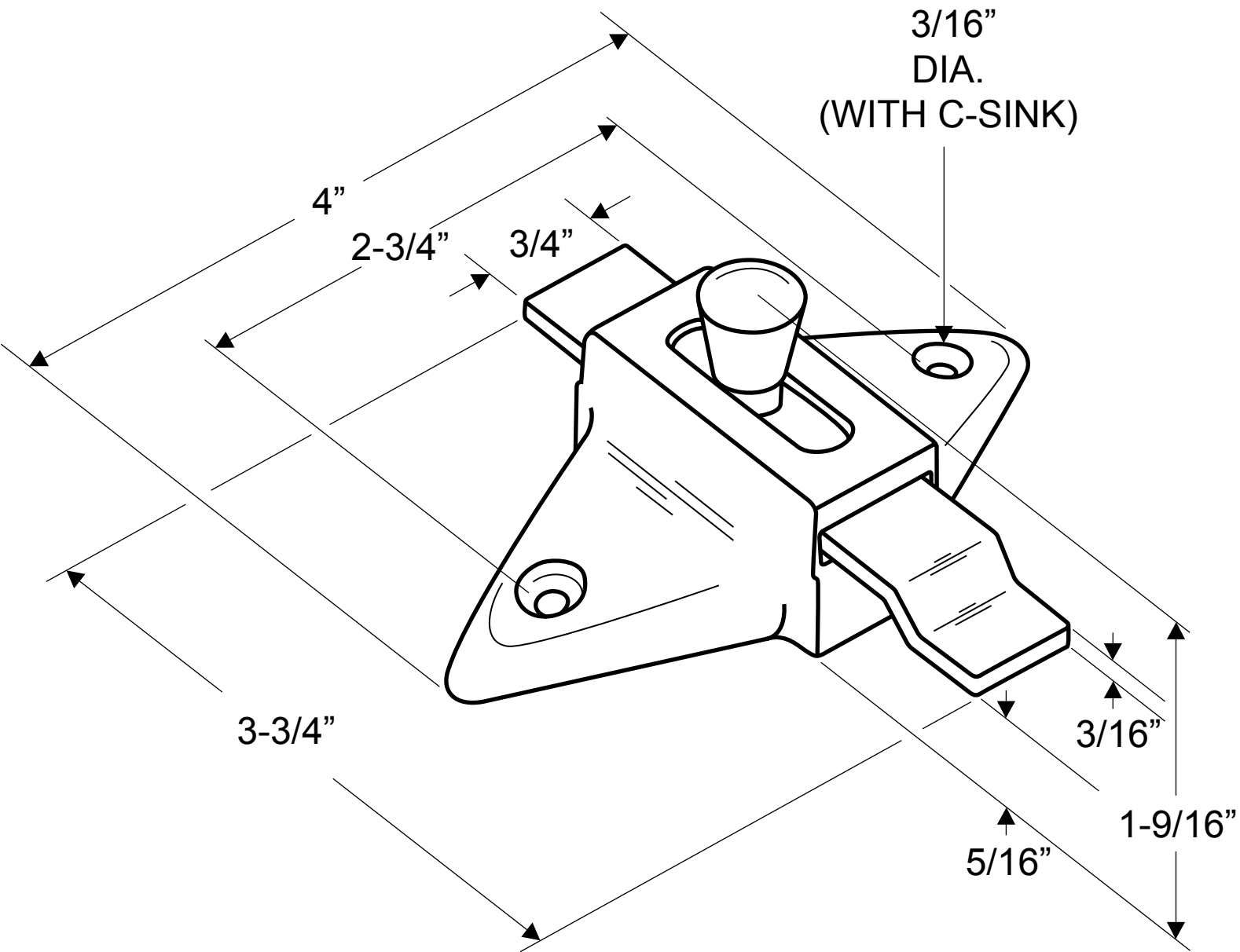
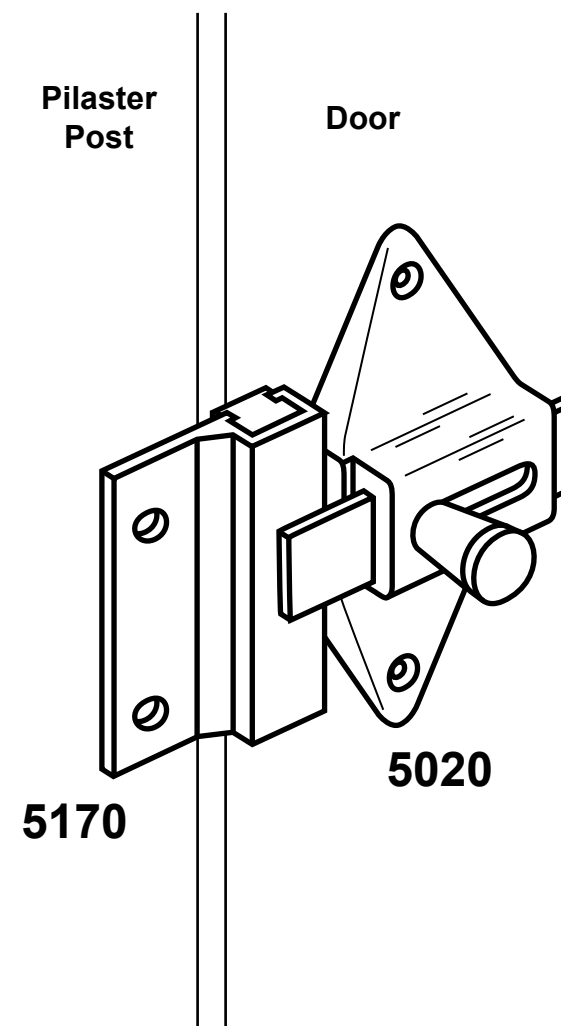


**5030, 5031, 5032, 5033  
(SLIDE LATCH)**

**INSTRUCTIONS FOR INSTALLING  
5160, 5170, 5180 STRIKE & KEEPER  
WITH 5020, 5030 SLIDE LATCH**



**OUTSWING  
APPLICATION**



**INSWING  
APPLICATION**

