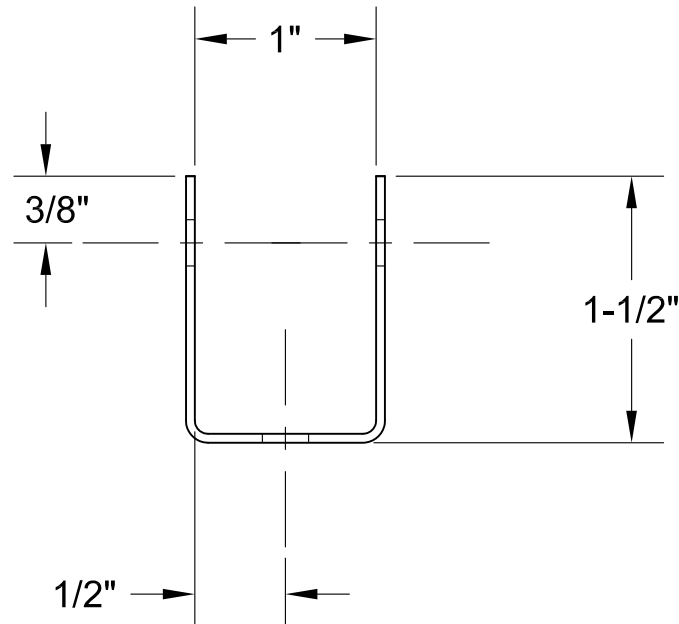
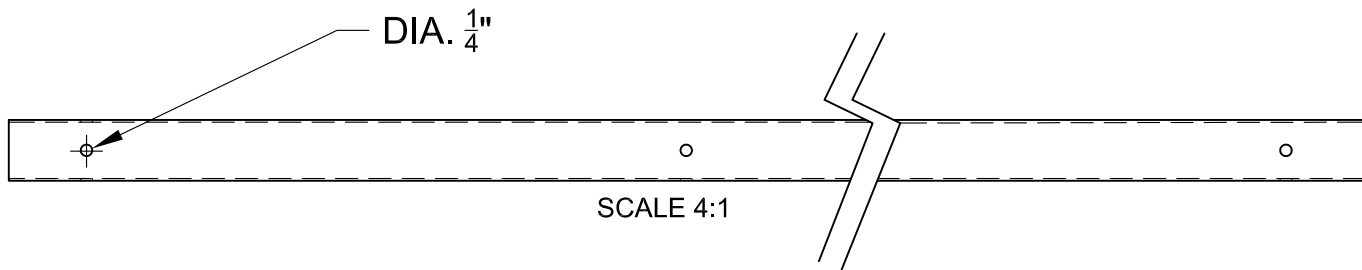
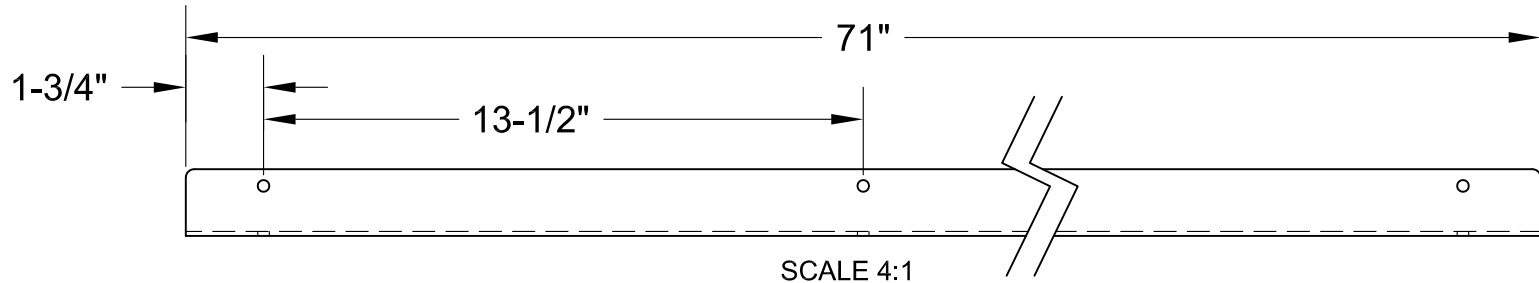


182369

U-BRACKET 1" X 71" CRSS

DIMENSIONAL TOLERANCES UNLESS OTHER WISE SPECIFIED
DECIMALS +/-0.005 FRACTIONS +/-0.010 ANGLES +/-1 DEG



Jacknob® Corp.

DIM.	DATE	FROM	TO	APP'D

DATE: 06-01-16	DRAWN BY: RICHARD J MICUS
JOB#18236-9A	SCALE:
MATERIAL: STAINLESS STEEL 18 GAUGE	FINISH: #4 SATIN