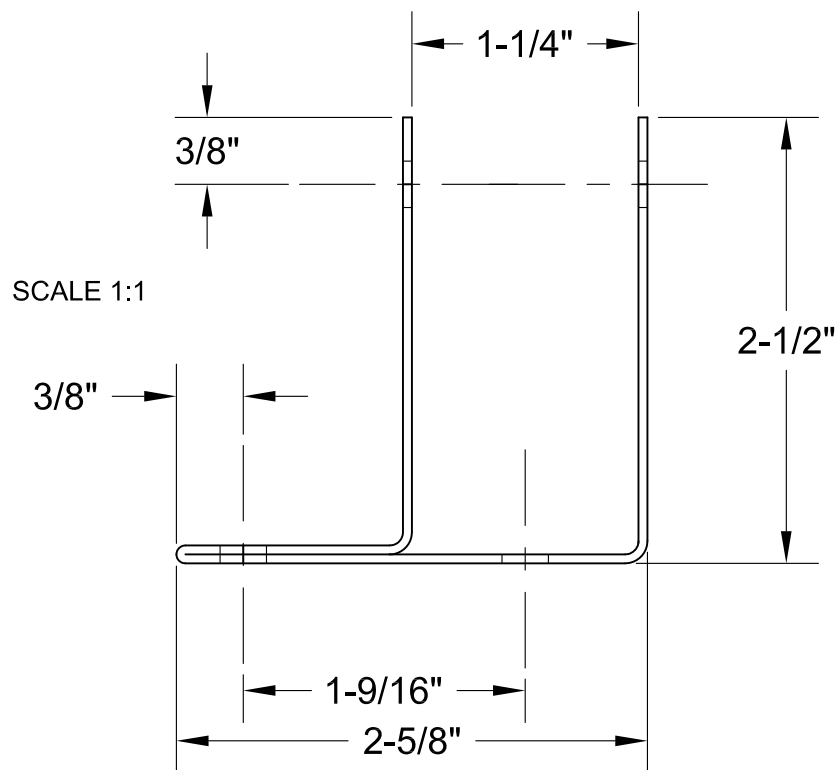
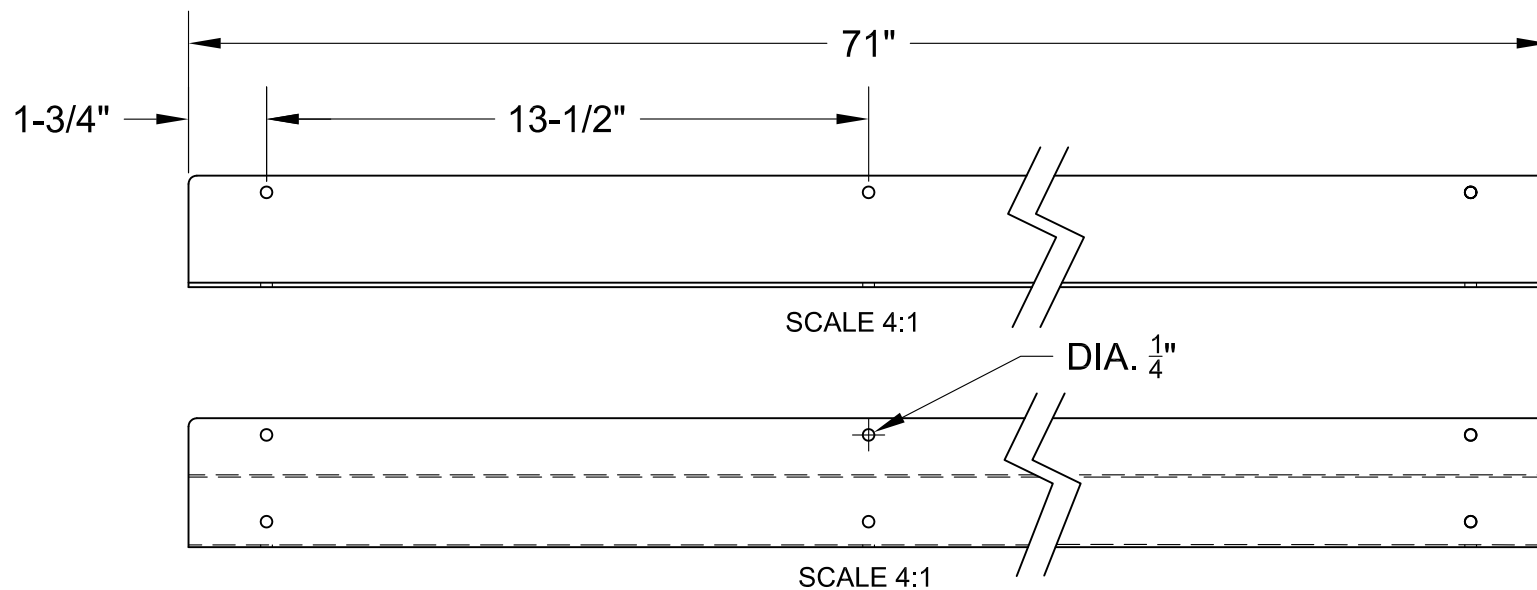


182359

WALL BRACKET ONE EAR 1-1/4" X 71"
CRSS

DIMENSIONAL TOLERANCES UNLESS OTHER WISE SPECIFIED
DECIMALS +/-0.005 FRACTIONS +/-0.010 ANGLES +/-1 DEG



Jacknob®
Corp.

DIM.	DATE	FROM	TO	APP'D

DATE:	06-01-16	DRAWN BY:	RICHARD J MICUS
JOB#	18235-9A	SCALE:	AS STATED
MATERIAL:	STAINLESS STEEL 18 GAUGE	FINISH:	#4 SATIN