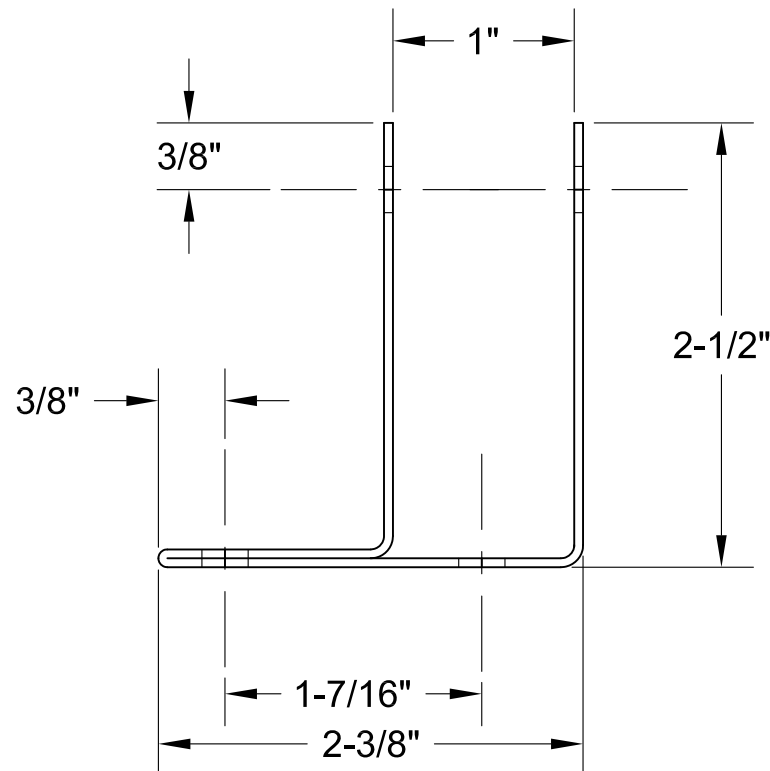
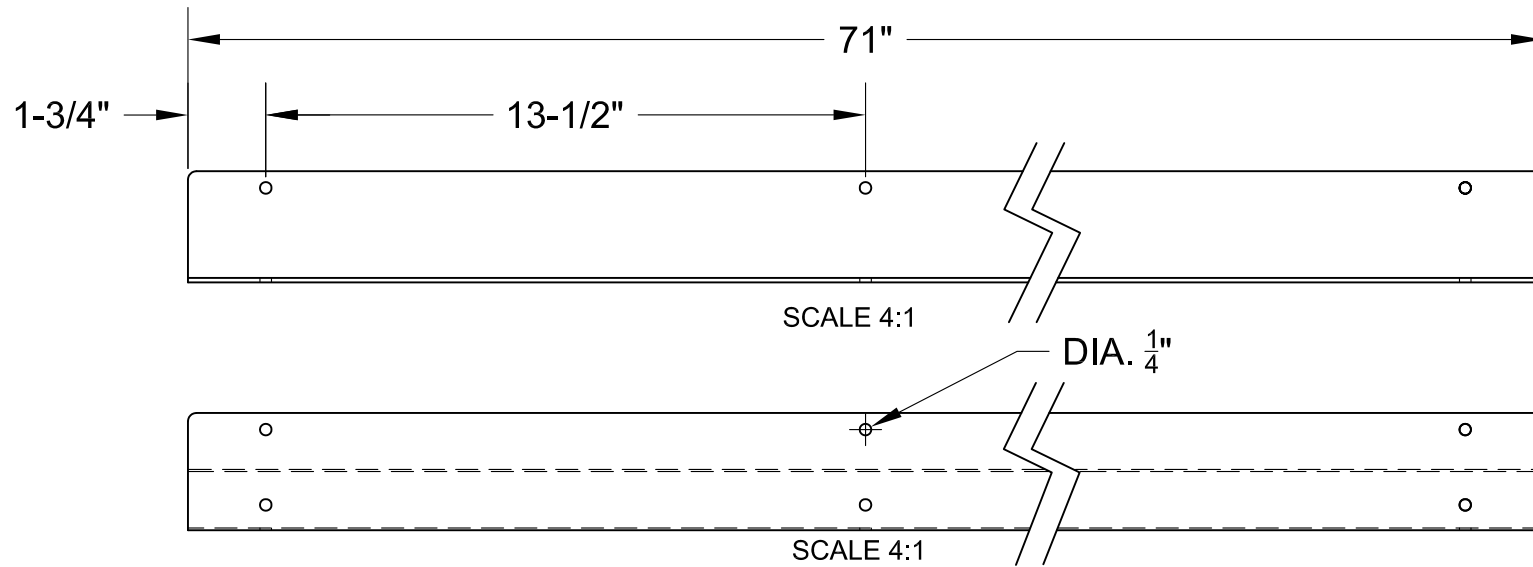


**182339 WALL BRACKET ONE EAR 1" X 71" CRSS**

DIMENSIONAL TOLERANCES UNLESS OTHER WISE SPECIFIED  
 DECIMALS  $\pm 0.005$  FRACTIONS  $\pm 0.010$  ANGLES  $\pm 1$  DEG



**Jacknob<sup>®</sup>** Corp.

DIM.	DATE	FROM	TO	APP'D

DATE: 06-01-16	DRAWN BY: RICHARD J MICUS
JOB#18233-9A	SCALE:
MATERIAL: STAINLESS STEEL 18 GAUGE	FINISH: #4 SATIN