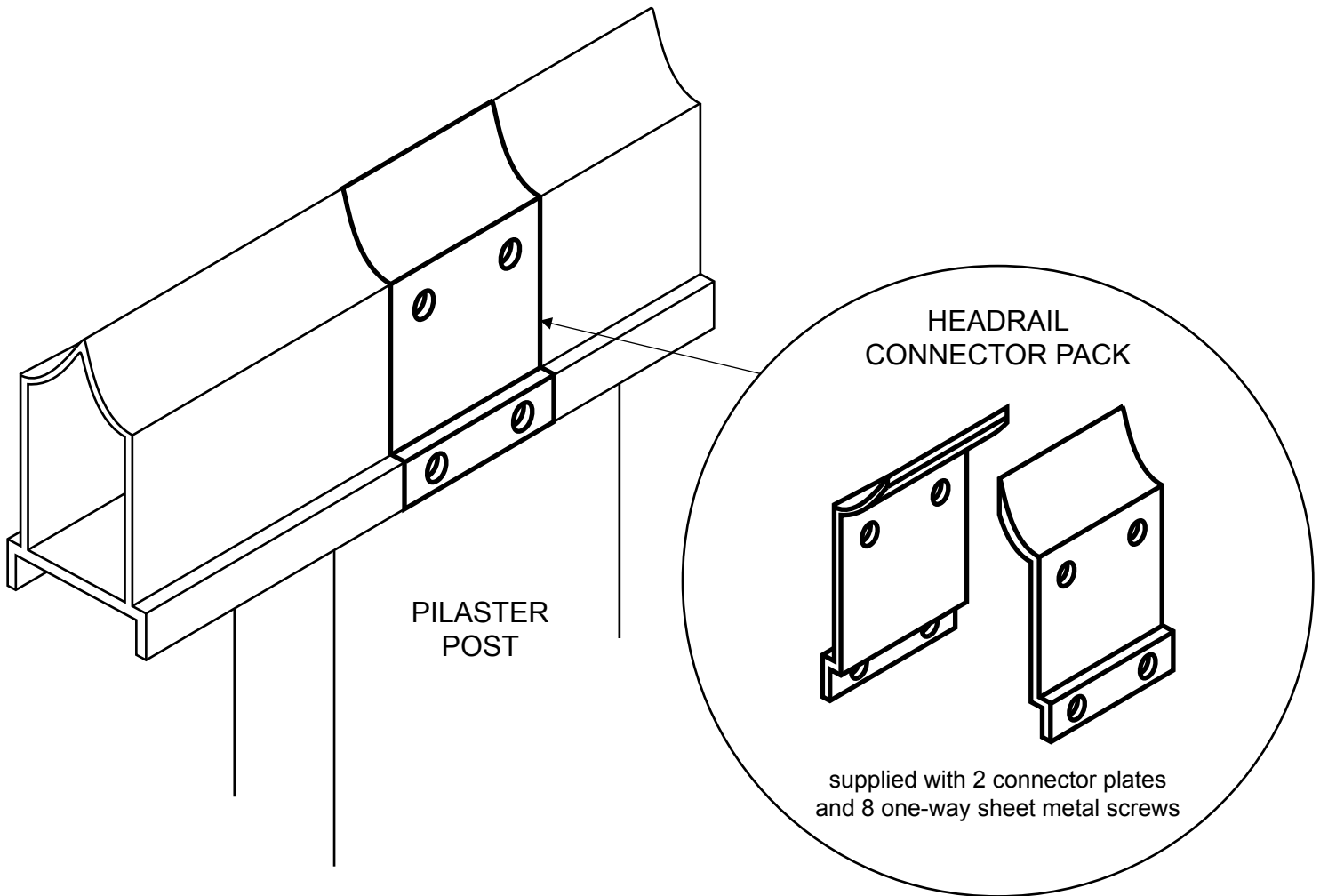


# INSTRUCTIONS FOR INSTALLING 15762, 15772, 15782 HEADRAIL CONNECTOR PACK

1. Headrails must be connected on top of pilaster post for best strength.
2. Place connector plates over seams of headrails.
3. Using # 8 X 1/2" screws, secure to pilaster post and headrail.



## CONTENTS OF PACK:

15762 - (2) 8132 Headrail Connector Plates

15772 - (2) 8142 Headrail Connector Plates

15782 - (2) 8152 Headrail Connector Plates

\*Note: All packs come with (8) 9113 One-Way Screws