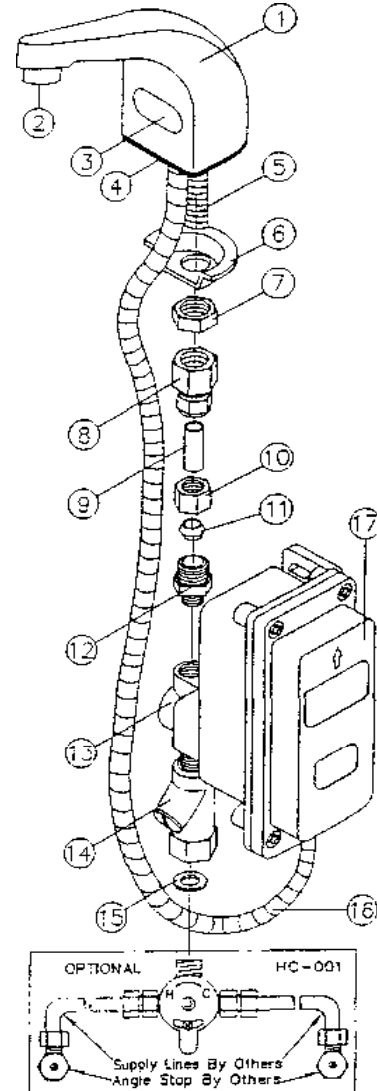


INSTALLATION INSTRUCTIONS

Hydrotek Non-Mixing Automatic Faucet (Battery Powered)

Model HB-2603C

1. Prior to installing this faucet, thoroughly flush all water lines and replace stop washers, if necessary.
2. To ensure proper operation, "DRY TEST" the faucet by plugging (16) Sensor eye cable connector into the matching connector on the PC board inside the (17) Control box (pull out the PC board and Battery holder for easier access). Properly install batteries into the Battery Holder and plug Battery Holder output connector into the corresponding connector on the PC board. Place your hands in front of the faucet's Sensor eye. If there is a clicking sound, the faucet is activating properly. If not, call the factory.
3. After successful "DRY TEST," unplug the Sensor eye cable and Battery holder connectors from the PC board.
4. Set faucet on sink. Apply plumbers putty to the bottom of the gasket. Secure faucet to the sink using (6) Washer and (7) Mounting nut. Connect (9) Supply tube to the (5) Supply rod using the (8) Compression adapter.
5. Connect electrical Sensor eye cable as described in STEP #2, making sure that the Sensor eye cable is seated into the Control box housing properly.
6. Attach (12) Compression fitting to (13) Solenoid valve outlet and connect it to (9) Supply tube using (10) Compression nut and (11) Compression ferrule. Insert (15) Nylon washer into the swivel nut located on (14) In-line filter inlet (**for pre-tempered or cold water only**). Using a union fitting (not supplied), connect the supply line (not supplied) from the supply stop to (14) In-line filter inlet swivel nut (**for tempered water**).
 >>Attach optional Hydrotek HC-001 Mixing/Check Valve or HC-003 Mixing "T" w/ checks to (14) In-line filter inlet. Connect Supply lines (not supplied) from hot and cold supply stops to Mixing valve or Mixing "T" inlets. **Note: Use Teflon Tape, not Pipe Dope for all connections.**
7. Turn on water and check for leaks. Connect Battery holder to the PC board. Reinstall the Control box cover and tighten screws to ensure that the box is water resistant. Place hands in front of Sensor eye to activate water flow. Remove hands and water should stop. If not, refer to the troubleshooting guide.
8. Periodically clean the filter element located inside (14) In-line filter.
9. For minor adjustments, refer to the instructions located inside the Control box cover.



Part Number Descriptions	
1. Faucet body	10. Compression nut
2. Laminar flow control	11. Compression ferrule
3. LED sensor	12. Compression fitting
4. Gasket	13. Solenoid valve
5. Supply rod	14. In-line filter
6. Washer	15. Nylon washer
7. Mounting nut	16. Sensor eye cable
8. Compression adapter	17. Control box
9. Supply tube	

HYDROTEK INTERNATIONAL, INC.
 5055 Forsyth Commerce Rd. , Ste. 124
 Orlando, FL 32807
 1.800.922.9883 (Phone)
 1.866.670.5580 (Fax)
 www.hydrotekintl.com