



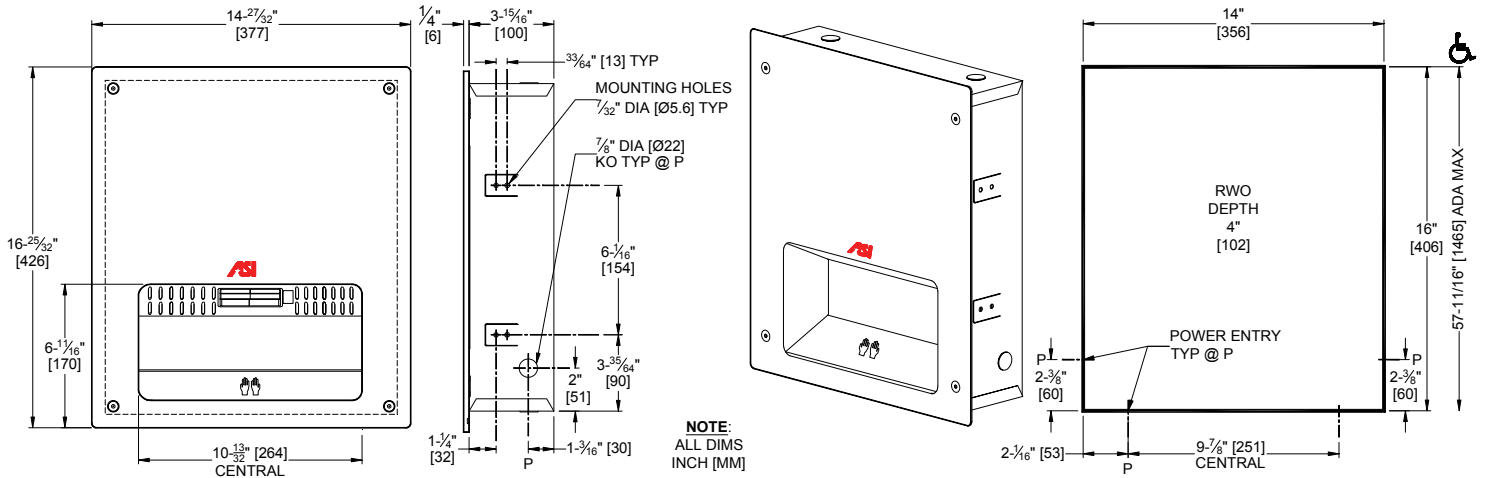
AMERICAN SPECIALTIES, INC.
 441 Saw Mill River Road, NY 10701
 (914) 476.9000 • (914) 476.0688
 www.americanspecialties.com

MODEL №: 0133

ISSUED: 06/08

REVISED: 28 MAR 12

SIMPLICITY SERIES RECESSED MOUNTED HAND DRYER (PG 1 OF 2)



SPECIFICATION

Recess Mounted Hand Dryer shall operate automatically from IR sensor that shall activate dryer when hands are placed in sensor zone. Cover and hand drying chamber shall be 18 gauge type 304 stainless steel alloy 18-8. All exposed surfaces shall have satin finish and shall be protected during shipment by PVC film easily removable after installation. Cabinet shall be 20 gauge corrosion protected steel with a 1/2" (13) wide perimeter trim to lay flush against wall and shall have flush pin-hex security screws to close cover. Motor and heating element shall have internal resetting automatic thermal protection. Fixed directional air vanes shall be heavy duty, rust proof and tamper resistant. Air intake slots shall not allow access to internal parts. Circuitry shall have self-adjusting time-out and fail-safe off protection controlled by a microprocessor that shall detect and reject false signals and shall automatically self calibrate to provide uniform sensitivity over its entire life span. Entire unit shall be internally electrically grounded. Dryer unit shall have approval and be listed under the re-examination services of Underwriters Laboratories, Inc. Unit shall be warranted against defects in materials or workmanship for Ten (10) years. Owner's Manual (OM) and Mounting Template are supplied with unit.

Recess Mounted Sensor Hand Dryer shall be Model № 0133 of American Specialties, Inc., 441 Saw Mill River Road, Yonkers, NY 10701-4913

INSTALLATION

Mount unit cabinet in wall recess with four (4) № 10 (M5) screws (not supplied) into suitably prepared mountings (by others) or other suitable mounting hardware (by others) to suit wall conditions. For masonry walls use expansion bolts or anchors for 1/4" (M6) screws. See unit diagram for electrical service cable rough-in location. Electric service of 100-240VAC 20A 50/60 Hz (provided by others) is brought to RWO at location for dryer indicated on diagram above and is hooked up (by others) in accordance with schematic and Owner's Manual provided with unit. Electrical service is supplied and connected (by others) prior to installing cover. Cover is secured to cabinet with four (4) pin-hex socket flat head security screws (supplied). For compliance with ICC/ANSI A-117.1-2003 and 2010 ADA Accessibility Standards install unit with top of dryer hand chamber 48" (1219) maximum above finished floor (MAX AFF) if clear floor forward or side reach access is provided or 46" (1168) MAX AFF if side reach access over an obstruction (e.g. vanity) with reach depth greater than 10" (254) and less than 25" (635) is only provided or 44" (1118) MAX AFF if forward reach over an obstruction (e.g. commode) with reach depth greater than 20" (508) and less than 25" (635) is only provided. For general utility install unit so that top of dryer hand chamber is 44" to 50" (1118 to 1270) AFF. Note that top of RWO is 3/8" (10) below top of unit. For installation of two or more dryers, dryers should be no closer than 24" (610) on center. See OM and Template supplied with unit.

RWO required is 14" W x 16" H x 4" D minimum (356 x 406 x 102)



AMERICAN SPECIALTIES, INC.
 441 Saw Mill River Road, NY 10701
 (914) 476.9000 • (914) 476.0688
 www.americanspecialties.com

MODEL №: 0133

ISSUED: 06/08

REVISED: 28 MAR 12

SIMPLICITY SERIES RECESSED MOUNTED HAND DRYER (PG 2 OF 2)

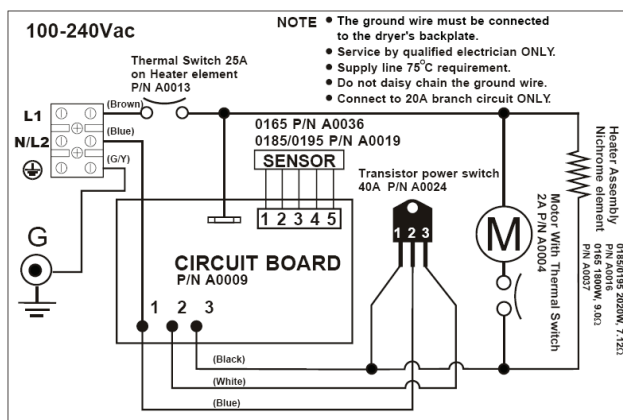
OPERATION

User activates dryer by placing hands under sensor. Dryer automatically shuts off after time-out when user removes hands from sensor zone.

MODEL	TYPE	TIMING	SUPPLY VOLTS-HERTZ	AMPS	WATTS	COVER
0133	Hand	Automatic	115VAC-50/60Hz	17.6	2022	Satin Finish; Vertical Grain; 304 Stainless Steel with security screws
			208VAC-50/60Hz	15.9	1654	
			240VAC-50/60Hz	18.3	2200	

MOTOR	H/P	RPM	FAN TYPE	AIR FLOW	HEATING ELEMENT	HEAT TEMP.
Brush Type Dual Ball Bearings	1/4	7500	Single Inlet Centrifugal	185 CFM (314.5 m ³ /h)	1857 Watt Nichrome wire with auto reset circuit breaker @ 115VAC	149° F ± 5 @ 77° F (65° C ± 2.8 @ 25°C) ambient room temperature
					1519 Watt Nichrome wire with auto reset circuit breaker @ 104VAC	
					2020 Watt Nichrome wire with auto reset circuit breaker @ 120VAC	

Circuit Diagram

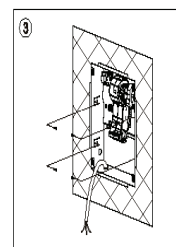
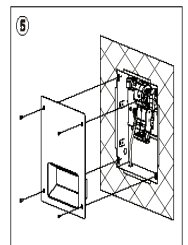
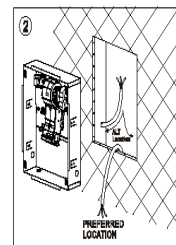
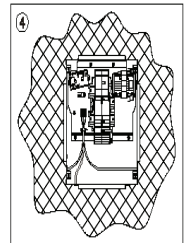
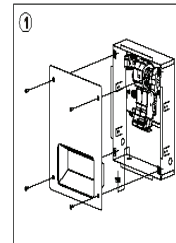


INSTALLATION STEPS

1. Locate position on wall where dryer is to be located. Provide Rough Wall Cutout (RWC) per instructions on TDS. Recommended mounting height for general utility is 48" (1168 mm) above finished floor (AFF) from top of dryer hand chamber with top of RWC at 55-23/32" (1415 mm). Note the top edge of dryer front panel is 38" (10 mm) above top edge of RWC. Use security wrench (supplied in installation kit with dryer) to remove and retain four (4) security screws from front panel. Remove front panel from the chassis box and set aside. Install plastic KO bushing (supplied) or alternate cable connector (not supplied) to suit conditions and comply with local electrical codes in the appropriate location to match power supply location in RWC.
2. Make sure the breaker is OFF for this circuit. Insert the chassis box into the RWC. Feed the power supply cable (by others, provided with RWC) through the appropriate location KO plastic bushing (or alternate connector, by others) to match power supply cable location in RWC.
3. Install the chassis box in the RWC with four (4) mounting screws through either one of the holes provided on the adjustable mounting tabs. Use shims to compensate for uneven RWC sides beyond the adjustment capability of the mounting tabs to prevent the box sides from distorting while tightening screws. Make sure the front flanges are flush with finished wall face.
4. Connect the power supply and ground wires to terminal block as indicated by L1-L2N-G or connect supply wires to terminal block where indicated and connect ground (earth) wire to base plate with ground screw cup washer.

Connections:

 - A. Connect the live wire (colored Brown, Red or Black) to the terminal block marked "L".
 - B. Connect the neutral wire (colored Black, Blue, White or Grey) or connect the second live wire (colored Red or Orange) to the terminal block marked "N".
 - C. Connect the ground wire to the terminal block marked "G" or to the green screw marked "G". Bare grounding (earth) wires should be sleeved with green and yellow or green tubing. Colors of live and neutral wires depend on voltage of supply service and requirements of Building and Electrical Code having Jurisdiction.
5. Fasten the front panel onto the chassis box using the four (4) security screws retained in step 1 above using the security wrench. Retain wrench for any possible service access during dryer lifetime. Turn ON breaker at service panel (by others) and test dryer operation.



ASI AMERICAN SPECIALTIES INC.
 441 Saw Mill River Road
 Yonkers, NY 10701-4919
 (914) 476.9000 | Fax: (914) 476.0688
 www.americanspecialties.com

0804080832
 Rev A 17 Apr 08