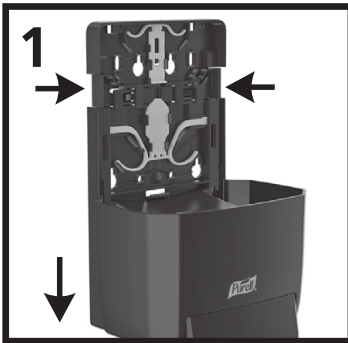




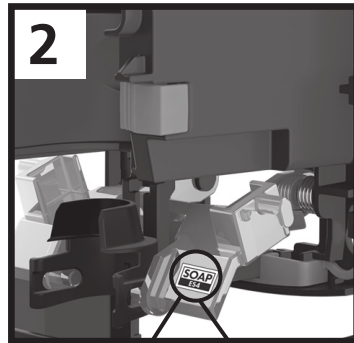
PURELL® ES4 Soap & Sanitizer Dispenser Installation and Use Instructions

Please read all instructions carefully before installing and using the dispenser.

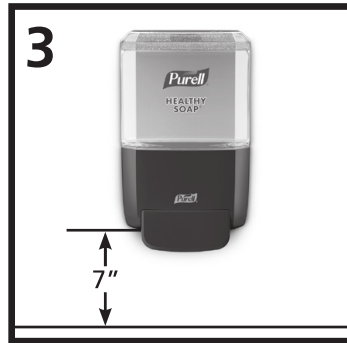
Dispenser Installation



Open dispenser by pressing release buttons on side of dispenser and slide the front cover down.

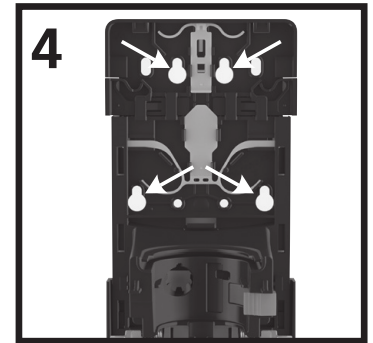


Check label inside dispenser before installing.
ES4 SOAP = soap dispenser
ES4 SAN = hand sanitizer dispenser



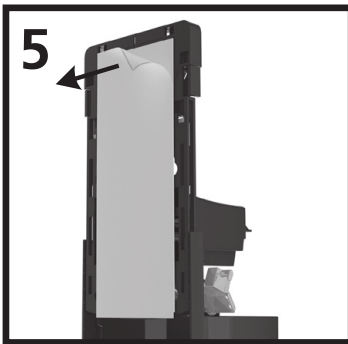
Install dispenser with at least 7" free space above counter top to allow routine service.

If installing with wall fasteners

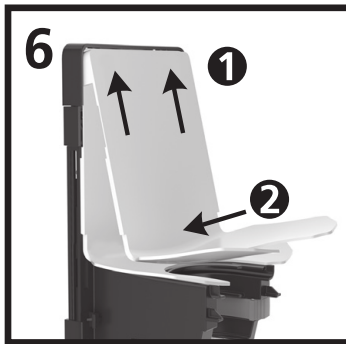


Using the dispenser as a template, pierce the tape on the back plate to mark and drill four holes using 1/4" drill bit. Use the supplied wall anchor and #10 x 1" screws to secure the dispenser in place, being careful not to over tighten. It is recommended to use 4 screws. If only two are possible, the top two holes should be used. **Recommended holes shown.**

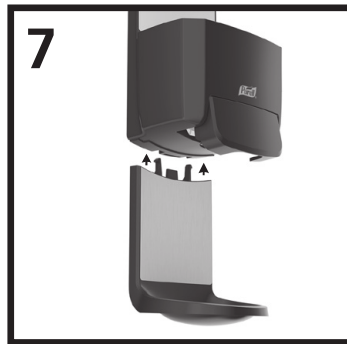
If installing with tape



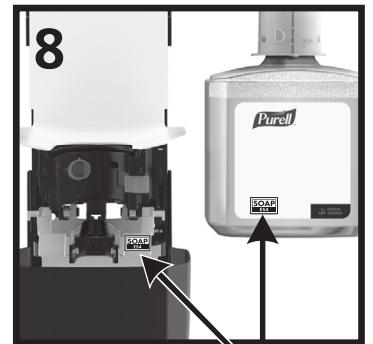
Clean installation surface with an alcohol pad. Allow surface to dry for 60 seconds then peel paper off installation tape and press the dispenser firmly against the wall for 10 seconds. For maximum adhesion, wait 24 hours before loading refill or using dispenser.



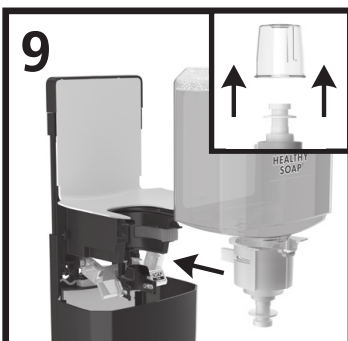
Attach the back plate by pressing on the top two corners and the bottom middle section. Audible clicks will confirm proper installation.



Install the SHIELD™ Floor and Wall Protector into the bottom of the dispenser by aligning plastic tabs on the SHIELD with slots on the dispenser and sliding up until the tabs snap into place. (SHIELD is included with Sanitizer Systems and can be ordered for Soap systems).
7745-WHT-18 White SHIELD Floor and Wall Protector
7745-GPH-18 Graphite SHIELD Floor and Wall Protector



Match label on refill with label on dispenser.

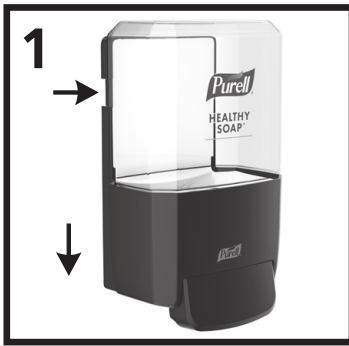


Remove refill cap and push the new refill into dispenser until it clicks in place. Close dispenser cover.

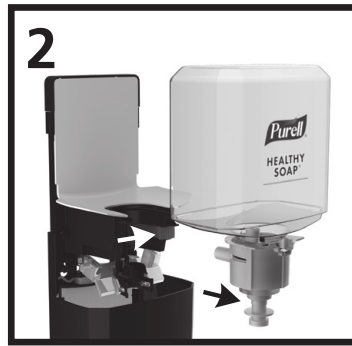


Place hand in middle of bar and push multiple times to prime refill. Product will dispense as bar is depressed.

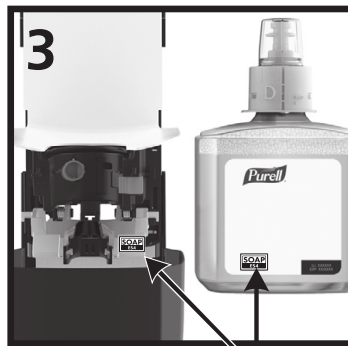
Refill Replenishment



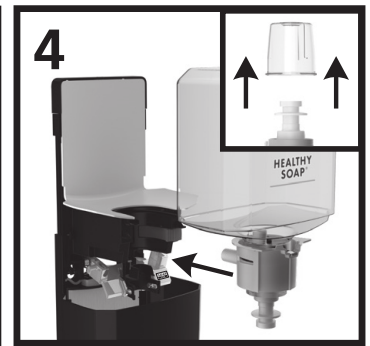
Open dispenser by pressing release buttons on side of dispenser and slide the front cover down.



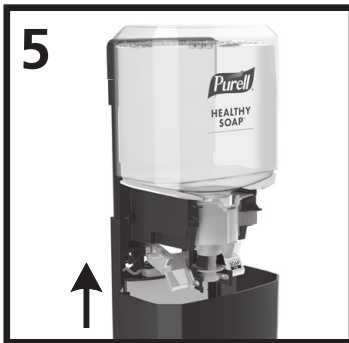
Push **green** release button and remove empty refill.



Match label on refill with label on dispenser.



Remove refill cap and push the new refill into dispenser until it clicks in place.

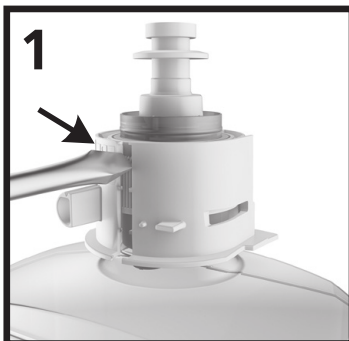


Close dispenser cover.



Place hand in middle of bar and push. Product will dispense as bar is depressed.

Disposal/Recycling

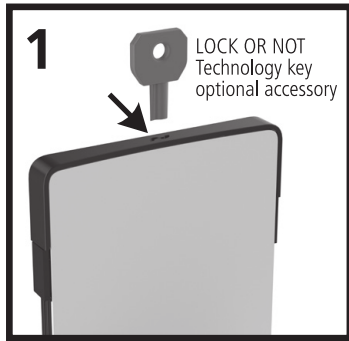


Insert a flat blade screwdriver into the slots on the refill collar and twist to separate the collar from the refill. Unscrew the pump from the bottle and discard.

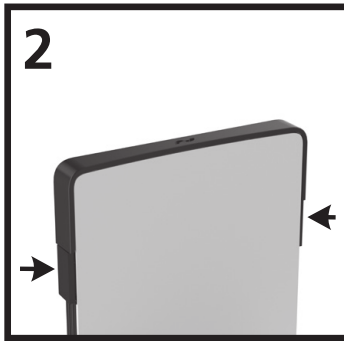


Separate the refill pump from the recyclable PET Bottle. Dispose/Recycle the PET Bottle and Collar.

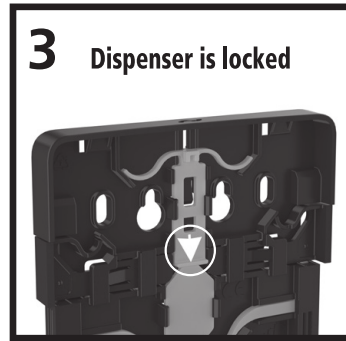
Locking the dispenser with LOCK OR NOT™ Technology



Lock the dispenser by aligning the key with the keyhole on the top of the dispenser and push down until a click is heard.

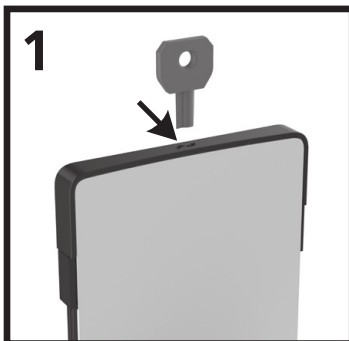


Check for a successful lock by pressing the release buttons on side of dispenser to see if the front cover releases and slides down. Once locked, the dispenser will remain in the locked state. To open a locked dispenser, insert the key into the keyhole and press down until the front cover is released.

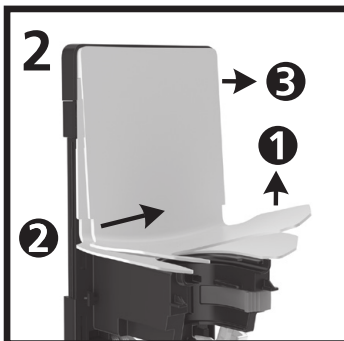


Locked position visual shown as reference, back plate does not need to be removed to lock dispenser.

Disabling the Locking Mechanism



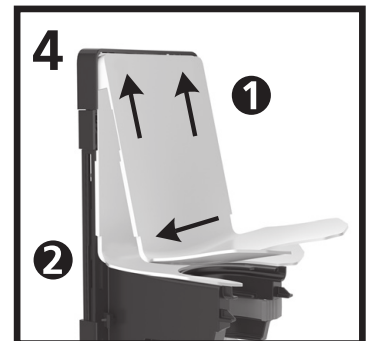
Open a locked dispenser by inserting the key into the keyhole on the top of the dispenser to release the front cover.



Remove the back plate by lifting the bottom right hand corner in an upward and away motion.



Restore to the unlocked position by pushing the locking mechanism toward the top of the dispenser.



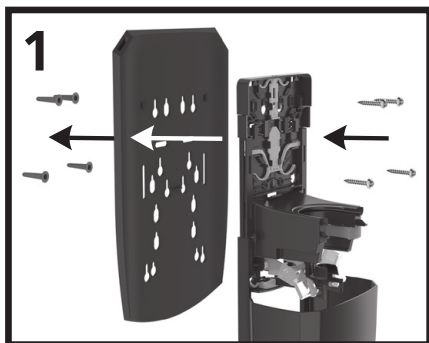
Attach the back plate by pressing on the top two corners and the bottom middle section.

TRUE FIT™ Wall Plate and MESSENGER™ Dispenser Station Installation

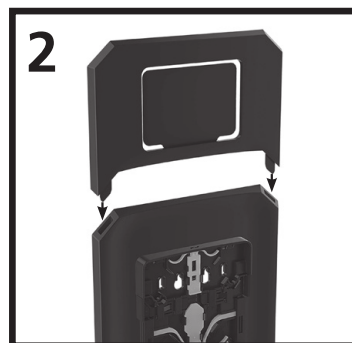
The TRUE FIT & MESSENGER Station are optional accessories that can be utilized with the dispensing systems.

Use the TRUE FIT Wall Plate to cover any wall damage from removing old dispensers.

The MESSENGER Station lets you add a sign to promote good hand hygiene.



Install the TRUE FIT wall plate at the designated anchor holes. Place the TRUE FIT wall plate between the dispenser and the wall during installation.



Slide two prongs at the bottom of the MESSENGER Dispenser Station into the inlet holes above TRUE FIT Wall Plate until they set in. The MESSENGER Dispenser Station accepts a standard 3" x 4" clear name badge holder with a 3" x 4" name badge card that can be ordered from most office supply vendors. Print a message on a 3" x 4" name badge card and insert the message between the frame and back with message facing out.

Order this wall plate if you aren't using a MESSENGER Station.



7740-GPH-18
TRUE FIT Wall Plate - Graphite



7740-WHT-18
TRUE FIT Wall Plate - White

The MESSENGER Station includes a Wall Plate.



7741-GPH-18
TRUE FIT Wall Plate + MESSENGER Dispenser Station - Graphite



7741-WHT-18
TRUE FIT Wall Plate + MESSENGER Dispenser Station - White



GOJO Industries, Inc.
One GOJO Plaza, Suite 500
P.O. Box 991 • Akron, OH. 44309-0991
Tel: 1-330-255-6000 • Toll-free: 1-800-321-9647
Fax: 1-800-FAX-GOJO