

Dolphin® Model Flushometer 116

Description

Exposed Water Closet Flushometer for floor mounted or wall hung 1½" top spud bowls. Specifically engineered for salt water and severe water conditions.

Flush Cycle

Model 116 (factory set at 3.5 gpf/13.2 Lpf)

Valve Adjustment Range: 0.5 gpf/1.9 Lpf to 16.0 gpf/60.6 Lpf

Factory settings made at 40 psi (275 kPa) — flush volume will vary with pressure and flow rate.

Specifications

Quiet, Exposed, Chrome Plated Closet Flushometer with the following features:

- Metal Lever Handle
- 1" I.P.S. Screwdriver Bak-Chek® Angle Stop
- Locking Vandal Resistant Stop Cap
- Adjustable Tailpiece
- Vacuum Breaker Flush Connection
- Spud Coupling and Flange for 1½" Top Spud
- Flushometer does not require water pressure to positively shut off
- Ultra High Copper, Low Zinc Brass Castings for Dezincification Resistance
- 100% of the energy used in manufacturing is offset with Renewable Energy Sources — Wind Energy

Valve Body, Cover, Tailpiece and Control Stop shall be in conformance with ASTM Alloy Classification for Red Brass. Valve shall be in compliance to the applicable sections of ASSE 1037 and ANSI/ASME 112.19.2.

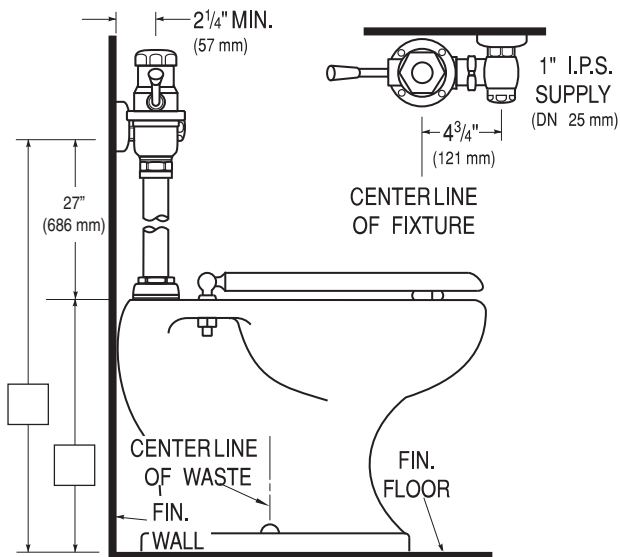
Variations

- GJ** Ground Joint Stop
- K** Wheel Handle Stop
- U** 1¼" Flush Connection and Spud Coupling
- YB** Sweat Solder Adapter Kit
- YBYC** Sweat Solder Adapter & Cast Set Screw Wall Flange
- YI** Two Wall Bumpers (for open front seat without cover)
- YJ** Split Ring Pipe Support
- YK** Solid Ring Pipe Support
- YL** Solid Ring Pipe Support with Bumper
- XYV** Less Vacuum Breaker

Bak-Chek Angle Stop available w/1" Whitworth Thread (please specify).

Ground Joint Stop (GJ) recommended for salt water applications. Vacuum Breaker usually not required when used with non-potable water (specify XYV Variation).

See Accessories Section of the Sloan catalog for details on these and other Flushometer variations.



This space for Architect/Engineer approval

Job Name _____ Date _____

Model Specified _____ Quantity _____

Variations Specified _____

Customer/Wholesaler _____

Contractor _____

Architect _____

The information contained in this document is subject to change without notice.



SLOAN VALVE COMPANY • 10500 SEYMOUR AVE. • FRANKLIN PARK, IL. 60131
 Ph: 1-800-982-5839 or 1-847-671-4300 • Fax: 1-800-447-8329 or 1-847-671-4380
 www.sloanvalve.com