



Royal® Model Flushometer

186 HEU



Description

Exposed high-efficiency urinal Flushometer, for 3/4" top spud high-efficiency urinals.

Flush Cycle

- Model 186-0.125 High-Efficiency (0.125 gpf/0.5 Lpf)
- Model 186-0.25 High-Efficiency (0.25 gpf/1.0 Lpf)
- Model 186-0.5 High-Efficiency (0.5 gpf/1.9 Lpf)

Specifications

Quiet, Exposed, Diaphragm Type, Chrome Plated Urinal Flushometer with the following features:

- For Flushing Volume 0.125 and 0.25: Dual Linear Filtered Bypass Diaphragm
- For Flushing Volume 0.5: Dual Filtered Fixed Bypass Diaphragm
- ADA Compliant Metal Oscillating Non-Hold-Open Handle with Triple Seal Handle Packing
- 3/4" I.P.S. Screwdriver Bak-Chek® Angle Stop w/ Free Spinning Vandal Resistant Stop Cap
- Adjustable Tailpiece
- High Back Pressure Vacuum breaker flush connection w/ one-piece bottom hex coupling nut
- Spud Coupling and Flange for 3/4" Top Spud
- Sweat Solder Adapter w/Cover Tube & Cast Wall Flange w/Set Screw
- High Copper, Low Zinc Brass Castings for Dezincification Resistance
- Non-Hold-Open Handle, Fixed Metering Bypass and No External Volume Adjustment to Ensure Water Conservation
- Flush Accuracy Controlled by CID Technology
- Diaphragm, Handle Packing, Stop Seat and Vacuum Breaker molded from PERMEX Synthetic Rubber Compound for Chloramine Resistance
- 100% of the energy used in manufacturing is offset w/ Renewable Energy Sources – Wind Energy

Valve Body, Cover, Tailpiece and Control Stop shall be in conformance with ASTM Alloy Classification for Semi-Red Brass. Valve shall be in compliance to the applicable sections of ASSE 1037 and ANSI/ASME A112.19.2.

Variations

- HL-3** 3" Metal Oscillating Push Button on front of valve
(does not meet ADA requirements)
- SG** SaniGuard® Antimicrobial Coating Protects Handle*

* SaniGuard does not protect users or others against disease-causing bacteria.

Special Finishes

- PVDPB** Polished Brass
- PVDBN** Brushed Nickel
- PVDSF** Satin Chrome

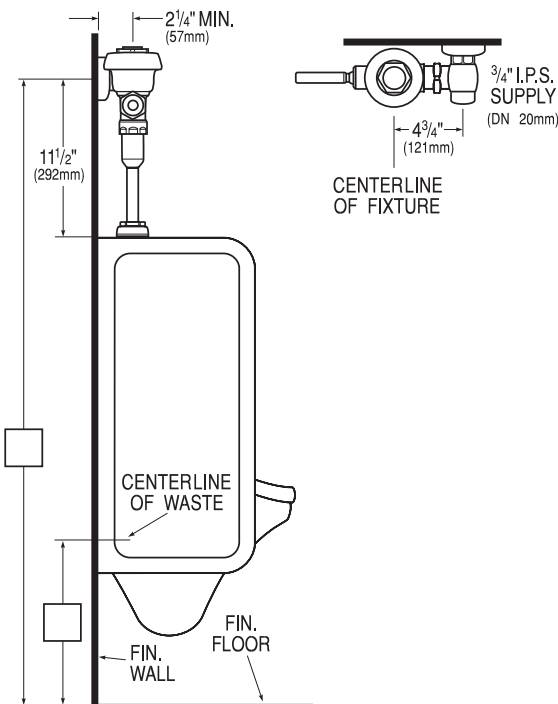
Accessories

See Accessories Section of the Sloan catalog for details on these and other flushometer variations.

Fixtures

Contact Sloan for Sloan brand matching fixture options.

Made In The
USA



This space for Architect/Engineer approval

Job Name _____ Date _____

Model Specified _____ Quantity _____

Variations Specified _____

Customer/Wholesaler _____

Contractor _____

Architect _____

The information contained in this document is subject to change without notice.



SLOAN • 10500 SEYMOUR AVENUE • FRANKLIN PARK, IL 60131
Ph: 1-800-982-5839 • Fax: 1-800-447-8329 • www.sloanvalve.com