



Royal® Flushometer

111-1.28

Description

Exposed, water closet flushometer, for floor mounted or wall hung top spud bowls.

Flush Cycle

Model 111-1.28 High Efficiency (1.28 gpf/4.8 Lpf)

Specifications

Quiet, exposed, diaphragm-type, chrome plated Closet flushometer for left or right hand supply with the following features:

- PERMEX® synthetic rubber diaphragm with Dual-Filtered Fixed Bypass
- ADA Compliant metal oscillating Non-Hold-Open handle with triple seal handle packing
- 1" IPS Screwdriver Bak-Chek® angle stop with free spinning vandal resistant stop cap
- Adjustable Tailpiece
- High Back Pressure Vacuum Breaker Flush Connection with One-piece Bottom Hex Coupling Nut
- Spud Coupling and Flange for 1-1/2" Top Spud
- Sweat Solder Adapter with Cover Tube & Cast Wall Flange with Set Screw
- High Copper, Low Zinc Brass Castings for Dezincification Resistance
- Non-Hold-Open Handle, Fixed Metering Bypass and No External Volume Adjustment to Ensure Water Conservation
- Flush Accuracy controlled by CID technology
- Diaphragm, handle packing, stop seat and vacuum breaker molded from PERMEX rubber compound for Chloramine resistance

Valve body, cover, tailpiece and control stop shall be in conformance with ASTM Alloy Classification for semi-red brass. Valve shall be in compliance to the applicable sections of ASSE 1037.

Variations

- XYV** Valve Less Vacuum Breaker
- SG** SaniGuard® Antimicrobial Coating Protects Handle and Socket*
- TP** Trap Primer
- HL-3** 3" Metal Oscillating Push Button on front of valve (does not meet ADA requirements)

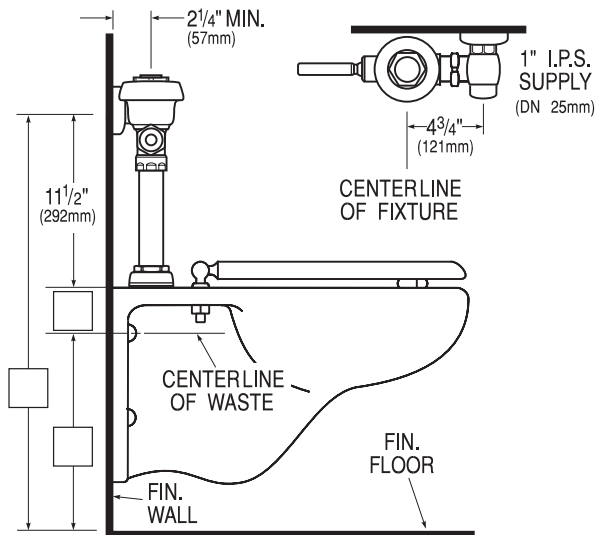
* SaniGuard does not protect users or others against disease-causing bacteria.

Accessories

See Accessories Section of the Sloan catalog for details on these and other flushometer variations.

Fixtures

Consult Sloan for Sloan brand matching fixture options.



Made In The
USA



This space for Architect/Engineer approval

Job Name _____ Date _____

Model Specified _____ Quantity _____

Variations Specified _____

Customer/Wholesaler _____

Contractor _____

Architect _____

The information contained in this document is subject to change without notice.

SLOAN®

SLOAN • 10500 SEYMOUR AVE. • FRANKLIN PARK, IL 60131

Ph: 1-800-9-VALVE-9 or 1-847-671-4300 • Fax: 1-800-447-8329 or 1-847-671-4380

www.sloanvalve.com