



# Regal® 180 XL Flushometer



- ▶ **Models Available**
  - Regal 180 XL

- ▶ **Description**  
Exposed Urinal Flushometer, for 1¼" top spud urinals.

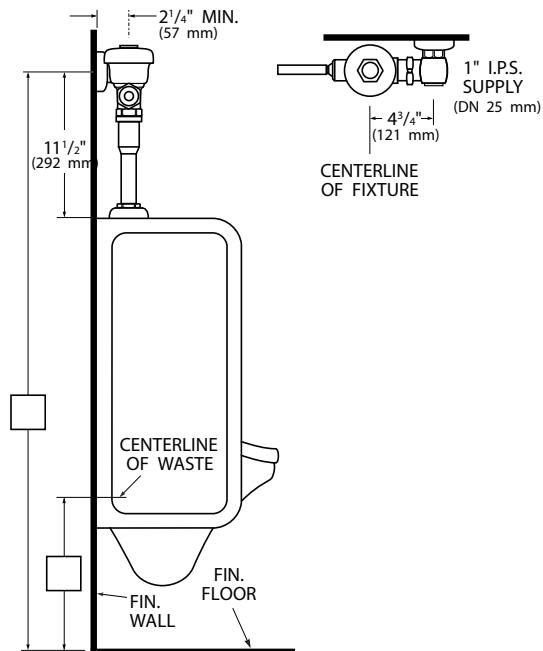
- ▶ **Flush Cycle**
  - Model 180-1.0 Low Consumption (1.0 gpf/3.8 Lpf)
  - Model 180-1.5 Water Saver (1.5 gpf/5.7 Lpf)
  - Model 180 Conventional (3.5 gpf/13.2 Lpf)

- ▶ **Specifications**  
Quiet, Exposed, Diaphragm Type, Chrome Plated Urinal Flushometer with the following features:
  - ADA Compliant Metal Oscillating Non-Hold-Open Handle
  - 1" I.P.S. Screwdriver Bak-Chek™ Angle Stop
  - Control Stop Plug
  - Sweat Solder Adapter with Cover Tube
  - Adjustable Tailpiece
  - Cast Wall Flange with Set Screw
  - Vacuum Breaker Flush Connection
  - Spud Coupling Wall and Spud Flange for 1¼" Top Spud
  - High Copper, Low Zinc Brass Castings for Dezincification Resistance
  - Non-Hold-Open Handle and No External Volume Adjustment to Ensure Water Conservation
  - Low Consumption flush accuracy controlled by Para-Flo™ Technology
  - Handle Packing, Stop Seat and Vacuum Breaker to be Molded from PERMEX™ Rubber Compound for Chloramine Resistance

Valve Body, Cover, Tailpiece and Control Stop shall be in conformance with ASTM Alloy Classification for Semi-Red Brass. Valve shall be in compliance to the applicable sections of ASSE 1037.

- ▶ **Accessories**  
See Accessories Section of the Sloan catalog for details on these and other Flushometer variations.

- ▶ **Fixtures**  
Consult Sloan for Sloan brand matching fixture options.







This space for Architect/Engineer approval

The information contained in this document is subject to change without notice.

## SLOAN

SLOAN VALVE COMPANY • 10500 SEYMOUR AVE. • FRANKLIN PARK, IL. 60131  
 Ph: 1-800-9-VALVE-9 or 1-847-671-4300 • Fax: 1-800-447-8329 or 1-847-671-4380  
<http://www.sloanvalve.com>