



Gem•2® Model Flushometer

180

► Description

Exposed, Urinal Flushometer for 1¼" top spud urinals.

► Flush Cycle

- Model 180 (3.0 gpf/11.0 Lpf)
- Model 180-1.5 Water Saver (1.5 gpf/5.7 Lpf)
- Model 180-1.0 Low Consumption (1.0 gpf/3.8 Lpf)

► Specifications

Quiet, Exposed, Piston Type, Chrome Plated Urinal Flushometer with the following features:

- Fixed Volume Piston with Filtered O-ring Bypass
- ADA Compliant Metal Oscillating Non-Hold-Open Handle
- 1" I.P.S. Screwdriver Bak-Chek® Angle Stop
- Locking Vandal Resistant Stop Cap
- Adjustable Tailpiece
- Vacuum Breaker Flush Connection
- Spud Coupling, Wall and Spud Flanges for 1¼" Top Spud
- High Copper, Low Zinc Brass Castings for Dezincification Resistance
- Non-Hold-Open Handle and No External Volume Adjustment to Ensure Water Conservation
- Handle Packing, Stop Seat and Vacuum Breaker Molded from PERMEX® Rubber Compound for Chloramine Resistance

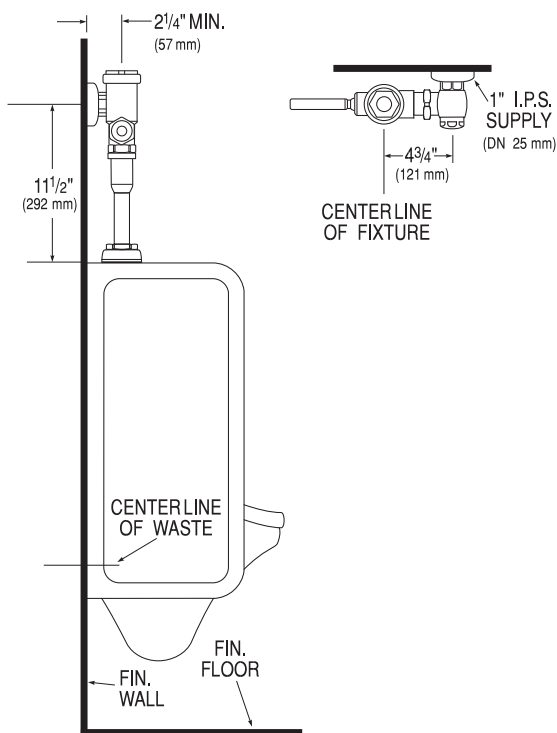
Valve Body, Cover, Tailpiece and Control Stop shall be in conformance with ASTM Alloy Classification for Semi-Red Brass. Valve shall be in compliance to the applicable sections of ASSE 1037, ANSI/ASME A112.19.2.

► Variations

- T** 1½" Flush Connection and Spud Coupling
- XYV** Less Vacuum Breaker
- YB** Sweat Solder Adapter Kit
- YBYC** Sweat Solder Adapter & Cast Wall Flange with Set Screw

Note: Bak-Chek® Angle Stop available with 1" Whitworth Thread (please specify).

See Accessories Section of the Sloan catalog for details on these and other Flushometer variations.



Listed by I.A.P.M.O.

This space for Architect/Engineer approval

Job Name _____ Date _____

Model Specified _____ Quantity _____

Variations Specified _____

Customer/Wholesaler _____

Contractor _____

Architect _____

The information contained in this document is subject to change without notice.

SLOAN®

SLOAN VALVE COMPANY • 10500 SEYMOUR AVE. • FRANKLIN PARK, IL. 60131
Ph: 1-800-9-VALVE-9 or 1-847-671-4300 • Fax: 1-800-447-8329 or 1-847-671-4380
Made in the U.S.A. www.sloanvalve.com