

Gem•2® Model Flushometer

122

► **Description**
Exposed, Water Closet Flushometer for floor mounted back spud bowls.

► **Flush Cycle**
 Model 122 Water Saver (3.5 gpf/13.2 Lpf)
 Model 122-1.6 Low Consumption (1.6 gpf/6.0 Lpf)

► **Specifications**
 Quiet, Exposed, Piston Type, Chrome Plated Closet Flushometer with the following features:

- Fixed Volume Piston with Filtered O-ring Bypass
- ADA Compliant Metal Oscillating Non-Hold-Open Handle
- 1" I.P.S. Screwdriver Bak-Chek® Angle Stop
- Locking Vandal Resistant Stop Cap
- Adjustable Tailpiece
- Vacuum Breaker Flush Connection
- Spud Coupling, Wall and Spud Flanges for 1½" Exposed Back Spud
- High Copper, Low Zinc Brass Castings for Dezincification Resistance
- Non-Hold-Open Handle and No External Volume Adjustment to Ensure Water Conservation
- Handle Packing, Stop Seat and Vacuum Breaker Molded from PERMEX™ Rubber Compound for Chloramine Resistance

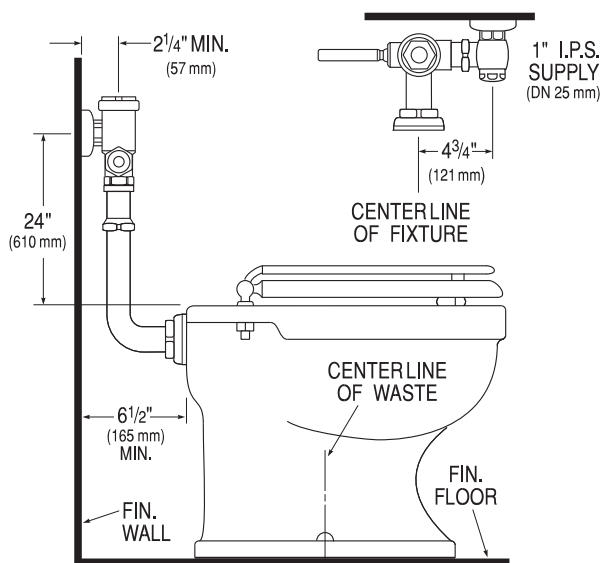
Valve Body, Cover, Tailpiece and Control Stop shall be in conformance with ASTM Alloy Classification for Semi-Red Brass. Valve shall be in compliance to the applicable sections of ASSE 1037, ANSI/ASME A112.19.2.

► **Variations**

<input type="checkbox"/> U	1¼" Flush Connection and Spud Coupling
<input type="checkbox"/> XYV	Less Vacuum Breaker
<input type="checkbox"/> YB	Sweat Solder Adapter Kit
<input type="checkbox"/> YBYC	Sweat Solder Adapter & Cast Wall Flange with Set Screw
<input type="checkbox"/> YJ	Split Ring Pipe Support
<input type="checkbox"/> YK	Solid Ring Pipe Support
<input type="checkbox"/> YI	Two Wall Bumpers (for open front seat without cover)

Note: Bak-Chek® Angle Stop available with 1" Whitworth Thread (please specify).

See Accessories Section of the Sloan catalog for details on these and other Flushometer variations.



This space for Architect/Engineer approval

Job Name _____ Date _____

Model Specified _____ Quantity _____

Variations Specified _____

Customer/Wholesaler _____

Contractor _____

Architect _____

The information contained in this document is subject to change without notice.



SLOAN VALVE COMPANY • 10500 SEYMOUR AVE. • FRANKLIN PARK, IL. 60131
 Ph: 1-800-9-VALVE-9 or 1-847-671-4300 • Fax: 1-800-447-8329 or 1-847-671-4380
www.sloanvalve.com