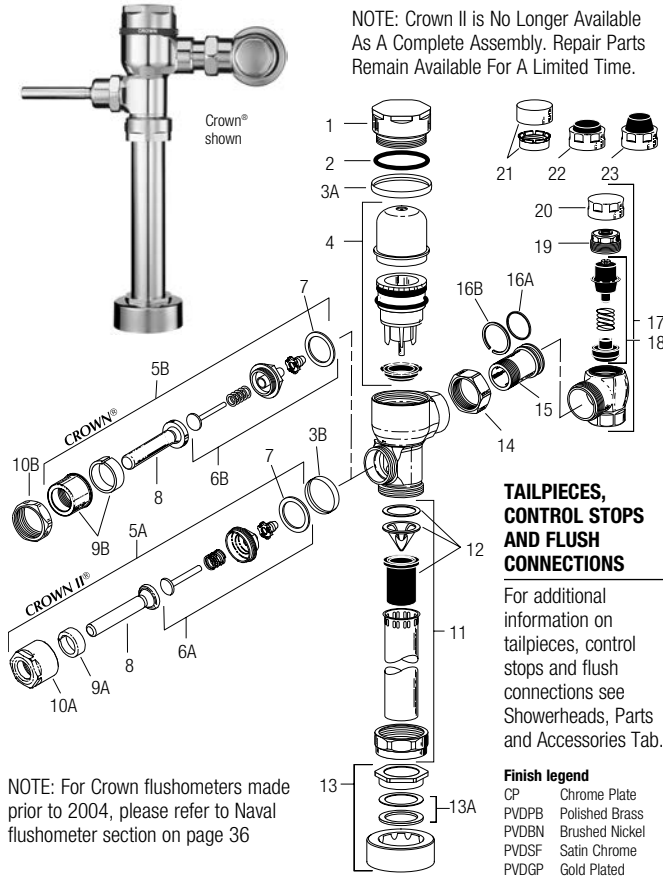


Crown® Flushometer

Crown® II (Obsolete)

Manual Flushometers



TAILPIECES, CONTROL STOPS AND FLUSH CONNECTIONS

For additional information on tailpieces, control stops and flush connections see Showerheads, Parts and Accessories Tab.

Finish legend

CP	Chrome Plate
PVDPB	Polished Brass
PVDBN	Brushed Nickel
PVDSF	Satin Chrome
PVDGP	Gold Plated

NOTE: For Crown flushometers made prior to 2004, please refer to Naval flushometer section on page 36

PARTS LIST

Item No.	Code No.	Part No.	Description
1.	0332006	CR-116	CP Cover
2.	0332030	CR-133	Cover O-ring
3.	0332045	CR-132-A	CP Handle and Cover Trim Ring Kit (Includes items 3A & 3B) (CROWN® II ONLY)
	0332046	CR-132-A	PVDPB Handle and Cover Trim Ring Kit (Includes items 3A & 3B) (CROWN® II ONLY)
	0332048	CR-132-A	PVDBN Handle and Cover Trim Ring Kit (Includes items 3A & 3B) (CROWN® II ONLY)
	0332049	CR-132-A	PVDSF Handle and Cover Trim Ring Kit (Includes items 3A & 3B) (CROWN® II ONLY)
3A.	0332035	CR-134	Cover Trim Ring (CROWN® ONLY)
	0332009	CR-120	PVDPB Cover Trim Ring (CROWN® II ONLY)
	0332032	CR-120	PVDGP Cover Trim Ring (CROWN® II ONLY)
	0332033	CR-120	PVDBN Cover Trim Ring (CROWN® II ONLY)
	0332034	CR-120	PVDSF Cover Trim Ring (CROWN® II ONLY)
3B.	0332005	CR-113	PVDPB Handle Trim Ring (CROWN® II ONLY)
	0332028	CR-113	PVDBN Handle Trim Ring (CROWN® II ONLY)
	0332029	CR-113	PVDSF Handle Trim Ring (CROWN® II ONLY)
4.	3332003	CR-1004-A	Piston Kit – 1.6 gpf (6.0 Lpf) Water Closet
	3332013	CR-1011-A	Piston Kit – 1.28 gpf (4.8 Lpf) Water Closet
	3332004	CR-1005-A	Piston Kit – 1.0 gpf (3.8 Lpf Urinal)
	3332005	CR-1006-A	Piston Kit – 0.5 gpf (1.9 Lpf) Urinal
	3332017	CR-1015-A	Piston Kit – 0.25 gpf (1.0 Lpf) Urinal
	3332016	CR-1014-A	Piston Kit – 0.125 gpf (0.5 Lpf) Urinal

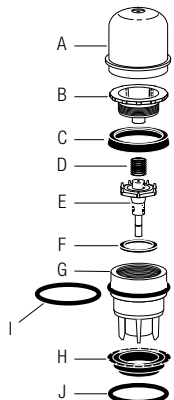
ALL PISTON KITS INCLUDE MAIN SEAT (see item 4 table to right) AND CR-124-A INSIDE COVER ASSEMBLY AS SHOWN IN ITEM 4. PISTON KIT COMPONENTS TABLE TO THE RIGHT.

Item No.	Code No.	Part No.	Description
5A.	0302353	B-30-A	ADA-Compliant Handle Assembly CP
5B.	0302390	B-73-A	ADA-Compliant Handle Assembly CP
6A.	3332006	CR-1007	Handle Repair Kit
6B.	3302306	B-51-A	Handle Repair Kit
7.	5301139	A-31	Handle Gasket – 48/pkg
8.	0302389	B-74-A	Handle Grip Sub-Assembly ADA
9A.	0302309	B-56	Sleeve
9B.	0302109	B-7-A	CP Socket Assembly
10A.	0302354	B-53	Handle Socket
10B.	0301082	A-6	CP Handle Coupling
11.	3393004	V-600-AA	3/4" x 9" (19 x 229 mm) Vacuum Breaker - 6/pkg
	3393006	V-600-AA	1-1/4" x 9" (32 x 229 mm) Vacuum Breaker - 6/pkg
	3393007	V-600-AA	1-1/2" x 9" (38 x 229 mm) Vacuum Breaker - 6/pkg
12.	3323182	V-651-A	High Back Pressure Vacuum Breaker Repair Kit
13.	3332000	CR-1008-A	3/4" (19 mm) Spud Coupling Assembly
	3332001	CR-1009-A	1-1/4" (32 mm) Spud Coupling Assembly
	3332002	CR-1010-A	1-1/2" (38 mm) Spud Coupling Assembly
13A.	SEE SLIP JOINT GASKETS AND RINGS TABLE ON BOTTOM, PAGE 25		
14.	0308676	H-550	Stop Coupling
15.	0308801	H-551-A	Adjustable Tailpiece (2-1/16" (52 mm) long)
16A.	5308696	H-553	O-ring – 24/pkg
16B.	5308381	H-552	Locking Ring – 12/pkg
17.	0388000	H-700-A	1" Screwdriver Bak-Chek® Stop CP
	0388001	H-700-A	3/4" Screwdriver Bak-Chek® Stop CP
18.	3308853	H-541-ASD	Control Stop Repair Kit†
	3308856	H-543-ASD	Control Stop Repair Kit† for 3/4" Stops H-600, H-640
19.	0308612	H-622	CP Bonnet †
	0308843	H-577	CP Bonnet † – OBSELETE
20.	3308840	H-573-A	Locking Vandal Resistant Control Stop Cap includes H-573 Stop Cap CP and H-648 Friction Ring †
	0308848	H-582	Locking Vandal Resistant Control Stop Cap CP †
21.	3308651	H-651	Vandal Resistant Control Stop Cap Assembly †
22.	3308866	H-574	Control Stop Cap w/Bumper (-YO Variation) †
23.	3308867	H-576	Control Stop Cap w/Extended Bumper (-YG Variation)†
—	0305190	EL-190-A	Handle Adapter (manual only) for Optima® version (not shown) to convert to manual

† For use w/H-700-A 1" & 3/4" and H-600-A 1" Screwdriver Bak-Chek® Control Stops.
‡ For use w/H-600-A 3/4" Screwdriver Bak-Chek® Control Stops.

ITEM 4. PISTON KIT COMPONENTS

Item	Code No.	Part No.	Description
A.	0332000	CR-124-A	Inside Cover Sub-Assembly
B.	***	***	Piston Cover
C.	5332095	CR-68-A	Molded Cup – 12/pkg
D.	5328019	SH-406	Spring – 12/pkg
E.	***	***	Relief Valve
F.	0307116	G-95	Relief Valve Seat
G.	***	***	Piston Body
H.	0332013	CR-125-A	Main Seat – 6/pkg (1.0 gpf and 0.5 gpf)
	0332120	CR-167-A	Main Seat – 6/pkg (Water Closets ONLY)
	0332126	CR-170-A	Main Seat – 6/pkg (0.25 gpf and 0.125 gpf)
I.	0307210	G-85	Filter O-ring
J.	0305135	EL-110	O-ring (for use with CR-125-A main seat ONLY)*
	0308958	H-589	O-ring*



* Components are NOT interchangeable
*** Indicates component is NOT available separately

Crown® Flushometer

Crown® II (Obsolete)

Manual
Flushometers

TROUBLESHOOTING GUIDE

IMPORTANT: The CROWN® flushometer is engineered for quiet operation. Excessive water flow creates noise, while too little water flow may not satisfy the needs of the fixture. Proper adjustment is made when plumbing fixture is cleaned after each flush without splashing water out from the lip AND a quiet flushing cycle is achieved.

Never open control stop to where the flow from the valve exceeds the flow capability of the fixture. In the event of a valve failure, the fixture must be able to accommodate a continuous flow from the valve.

ATTENTION INSTALLERS: With the exception of the control stop inlet, **DO NOT USE** pipe sealant or plumbing grease on any valve component or coupling! To protect the chrome or special finish of Sloan flushometers, **DO NOT USE** toothed tools to install or service these valves. Use our A-50 Super Wrench or other smooth-jawed wrench to secure couplings. Regulations for low consumption fixtures (1.6 gpf/6.0 Lpf closets and 1.0 gpf/3.8 Lpf urinals) prohibit use of higher flush volumes.

1. Valve DOES NOT function.

- A. Control stop or main valve is closed. Open control stop or main valve.
- B. Handle assembly is worn. Install Sloan handle repair kit, or replace handle.
- C. Relief valve is worn and sticking in UP position. Replace piston.

2. Insufficient volume of water to adequately siphon fixture.

- A. Control stop not open enough. Adjust control stop for desired delivery of water.
- B. Urinal piston parts inside a closet valve. Replace piston parts with proper closet piston.
- C. Low consumption valve installed on a non-low consumption fixture. Replace with proper flushometer. Crown® flushometers are not available with flush volume higher than 1.6 gpf/6.0 Lpf.
- D. Inadequate volume or pressure at supply. Increase water pressure or supply (flow) to valve. Consult factory for assistance.

3. Length of flush too short (short flushing) or valve closes off immediately.

- A. Piston assembly is not hand-tight. Screw the assembly hand-tight.
- B. Enlarged bypass orifice from corrosion or damage. Install NEW inside parts kit to correct problem and update flushometer.
- C. Urinal piston in closet flushometer. Replace piston with proper closet piston.
- D. Low consumption piston installed in non-low consumption fixture. Replace with proper flushometer. Crown® flushometers are not available with flush volume higher than 1.6 gpf (6.0 Lpf).
- E. Handle assembly worn. Install Sloan handle repair kit.

4. Length of flush too long (long flushing) or fails to close off.

- A. Piston is not seating properly or bypass orifice is clogged because of foreign material, or bypass orifice is clogged by an invisible gelatinous film from "over-treated" water. Disassemble the working parts and wash thoroughly. *NOTE: Size of the orifice in the bypass is of utmost importance for the proper metering of water into the upper chamber of the valve. DO NOT enlarge or damage this orifice.* Replace piston if cleaning does not correct problem.
- B. Line pressure has dropped and is not sufficient to force relief valve to seat. Shut off all control stops until pressure has been restored, then open them again.
- C. Main seat is fouled with debris or is worn. Clean or replace main seat.

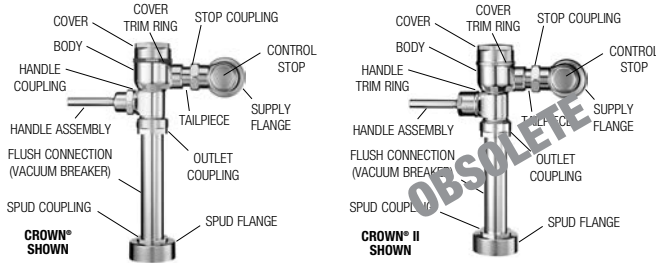
5. Leaking at handle assembly.

- A. The B-85 seal may have deteriorated. Install new B-85 seal. *NOTE: The B-85 seal will easily slide onto the bushing if it is wet.*
- B. Handle gasket has been omitted. Install A-31 handle gasket or Sloan handle repair kit.
- C. Valve handle bushing is worn. Install Sloan handle repair kit.

CARE AND CLEANING

DO NOT USE abrasive or chemical cleaners (including chlorine bleach) to clean flushometers that may dull the luster and attack the chrome or special decorative finishes. Use **ONLY** mild soap and water, then wipe dry with clean cloth or towel.

While cleaning the bathroom tile, the flushometer should be protected from any splattering of cleaner. Acids and cleaning fluids will discolor or remove chrome plating.



Piston Identification Chart	Water Closet		Urinal			
	CR-1004-A	CR-1011-A	CR-1005-A	CR-1006-A	CR-1015-A	CR-1014-A
Piston Color	3332003	3332013	3332004	3332004	3332017	3332016
Cap Color	1.6 gpf (6.0 Lpf)	1.28 gpf (4.8 Lpf)	1.0 gpf (3.8 Lpf)	0.5 gpf (1.9 Lpf)	0.25 gpf (1.0 Lpf)	0.125 gpf (0.5 Lpf)
Stem Grooves						
Barrel (Large Ribs or Small Ribs)	Large Ribs	Large Ribs	Small Ribs	Small Ribs	—	—
Cap Color	Green	Deep Purple	Yellow	Red	Burgundy	Pink
Piston Color	Green	Green	Clear	Clear	Burgundy	Burgundy
Barrel	Large Ribs	Large Ribs	Small Ribs	Small Ribs	—	—
Seat Color	Green	Green	Black	Black	Burgundy	Burgundy
Grooves	2	0	1	3	1	3

When assistance is required, please contact Sloan Technical Support at: 1-888-SLOAN-14 (1-888-756-2614).