

# Z6918-XL

AquaSense Battery Powered Faucet



Z6918-XL



Z6918-XL-ADM  
\*Cover plate optional



## Engineering Specification

Battery powered, chrome plated sensor faucet for retrofit and new construction.

- Flow Control
  - 1.5 gpm vandal resistant aerator
- Occupant Detection
  - Infrared convergence-type proximity sensor
- Spout module
  - Chrome Plated Cast Brass
- Also Includes:
  - In-line filter
  - 9 Volt Lithium battery

## Accessories

- ADM Above Deck Mixer
- CP4 Cover Plate 4"[102] Centers
- CP8 Cover Plate 8"[203] Centers
- MT Mixing Tee
- MV Temperature Mixing Valve
- SH Supply Hoses for Mixing Valve
- SSH Single Stainless Supply Hose
- TMV Thermostatic Mixing Valve for Multiple Faucets
- TMV-1 Thermostatic Mixing Valve for Single Faucets
- \_\_\_\_\_ Other

## Flow Control Options

- F 0.5 gpm [1.9Lpm] Vandal-Resistant Non-Aerated
- L 1.0 gpm [3.8Lpm] Vandal-Resistant
- K 1.0 gpm [3.8Lpm] Laminar Flow
- E 1.5 gpm [5.7Lpm] Vandal-Resistant

## Faucet Power Choices

- Z6918 9 Volt Lithium Battery

Zurn Lead Compliant products (-XL) are manufactured to comply with state laws and local codes that mandate lead content levels less than one quarter of one percent (0.25%) total lead content by weighted average.

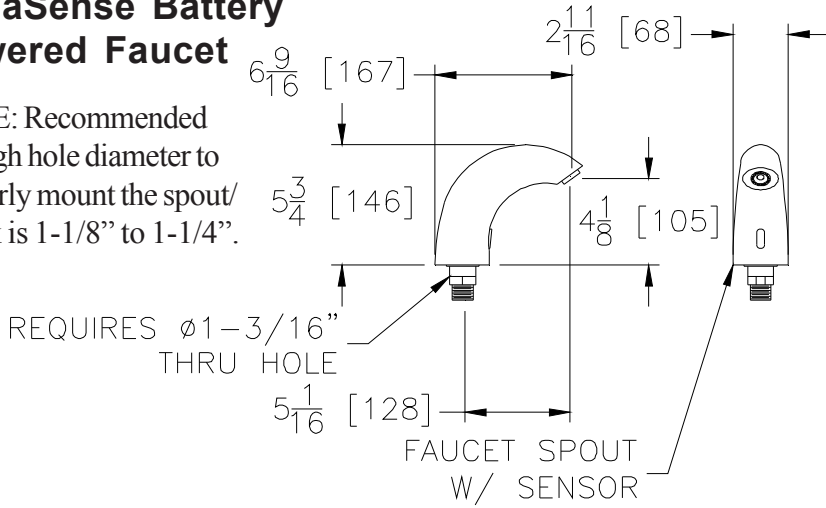
**Architectural/Engineering Approval**

ZURN INDUSTRIES, LLC. ♦ COMMERCIAL BRASS OPERATION  
5900 ELWIN BUCHANAN DRIVE ♦ SANFORD NC 27330  
Phone: 1-800-997-3876 ♦ Fax: 919-775-3541  
www.zurn.com  
In Canada: ZURN INDUSTRIES LIMITED  
3544 Nashua Drive ♦ Mississauga, Ontario L4V1L2  
Phone: 905-405-8272 Fax: 905-405-1292

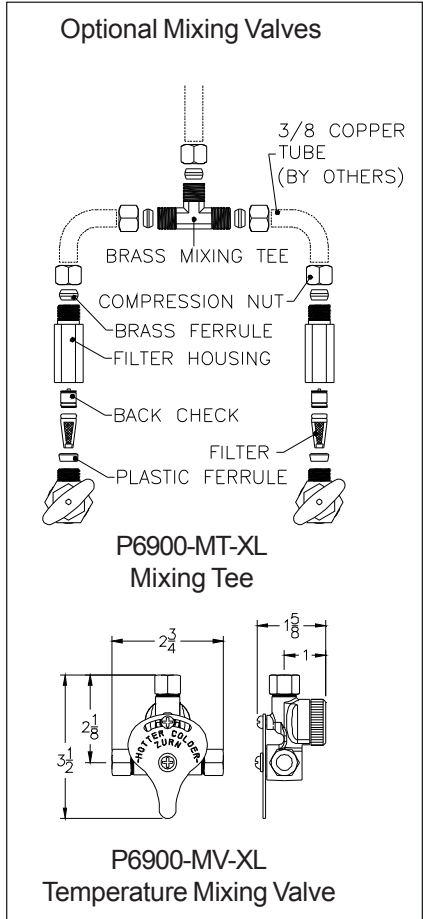
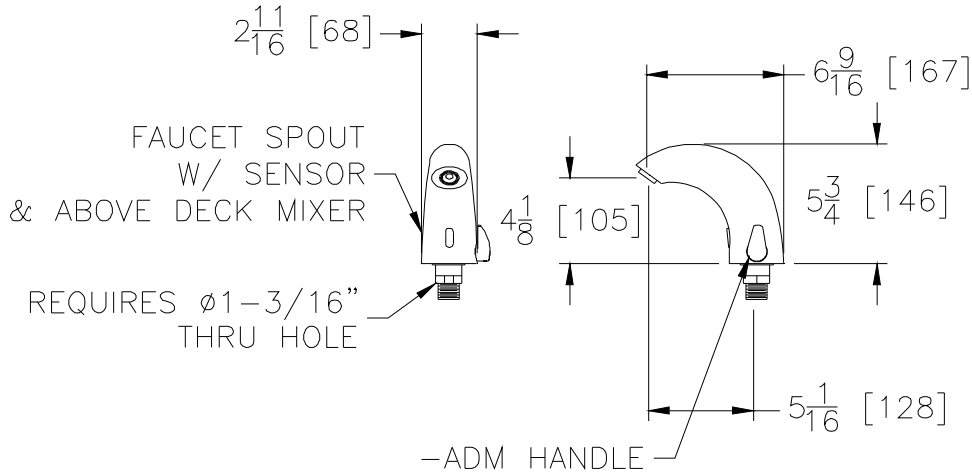
The information contained in this document is subject to change without notice.  
Please contact Zurn for most up to date information.

**TYPICAL Z6918  
AquaSense Battery  
Powered Faucet**

NOTE: Recommended through hole diameter to properly mount the spout/shank is 1-1/8" to 1-1/4".



**TYPICAL Z6918-ADM  
Battery**



ZURN INDUSTRIES, LLC. ♦ COMMERCIAL BRASS OPERATION  
5900 ELWIN BUCHANAN DRIVE ♦ SANFORD NC 27330  
Phone: 1-800-997-3876 ♦ Fax: 919-775-3541  
www.zurn.com  
In Canada: ZURN INDUSTRIES LIMITED  
3544 Nashua Drive ♦ Mississauga, Ontario L4V1L2  
Phone: 905-405-8272 Fax: 905-405-1292

AquaSense® is a registered trademark of Zurn Industries, LLC.