

Z6915-XL

AquaSense Battery Powered Faucet



Engineering Specification

ADA compliant, battery powered, chrome plated sensor faucet for retrofit and new construction.

- Flow Rate
1.5 gpm Vandal Resistant Aerator
- Occupant Detection
Infrared convergence-type proximity sensor
Thirty Second Time out feature
- Spout module
Chrome Plated Cast Brass
- Also Includes
In-line filter
4 "AA" batteries
Inlet for a 1/2"[13] ball riser

Flow Control Options

- F 0.5 gpm/1.9 Lpm Vandal-Resistant Non-Aerated
- J 1.5 gpm/ 5.7 Lpm Vandal-Resistant Laminar Flow
- K 1.0 gpm/ 3.8 Lpm Vandal-Resistant Laminar Flow
- L 1.0 gpm/ 3.8 Lpm Vandal-Resistant Aerator
- M 0.35 gpm/1.3 Lpm Vandal-Resistant Non-Aerated
- N 0.5 gpm/ 1.9 Lpm Vandal-Resistant Laminar Flow

Power Supply Choices (Sold Separately)

- ACA 6 VDC Plug-In Power Converter
- HW6 Hardwired Power Converter

Optional Power Supply Accessories

- CWB Connector Wire for Hardwire Install
- MJ Mini Junction Box

NOTE: For Hardwire applications furnish P6000-HW6 power converter. Order P6000-HW6 power converter separately.

The P6000-HW6 and P6000-MJ will power up to 8 sensor faucets.

ZURN INDUSTRIES, LLC. ♦ COMMERCIAL BRASS OPERATION
5900 ELWIN BUCHANAN DRIVE ♦ SANFORD NC 27330
Phone: 1-800-997-3876 ♦ Fax: 919-775-3541
www.zurn.com

In Canada: ZURN INDUSTRIES LIMITED
3544 Nashua Drive ♦ Mississauga, Ontario L4V1L2
Phone: 905-405-8272 Fax: 905-405-1292

AquaSense® is a registered trademark of Zurn Industries, LLC.

Accessories

- CG CareGuard Aerator
- DSA Drug Screening Applications
- MT Mixing Tee
- MV Temperature Mixing Valve
- SH Supply Hoses for Mixing Valve
- SSH Single Stainless Supply Hose (-XL)
- TMV Thermostatic Mixing Valve for Multiple Faucets
- TMV-1 Thermostatic Mixing Valve for Single Faucets
- _____ Other

Careguard currently only available with -E, 1.5 Vandal Resistant Laminar Aerator.

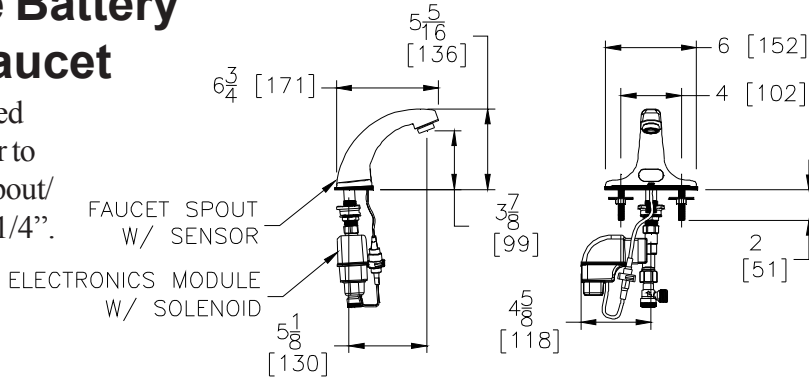
Zurn Lead Compliant products (-XL) are manufactured to comply with state laws and local codes that mandate lead content levels less than one quarter of one percent (0.25%) total lead content by weighted average.

Architectural/Engineering Approval

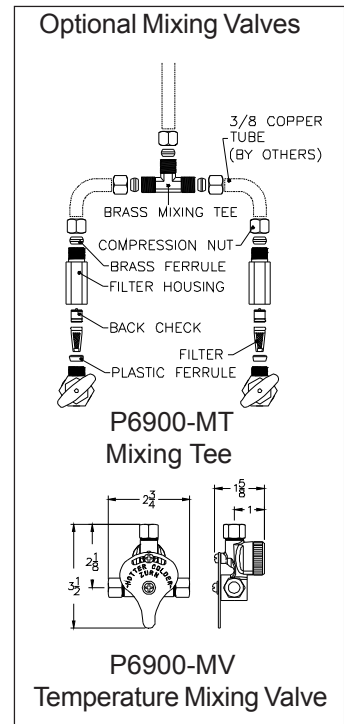
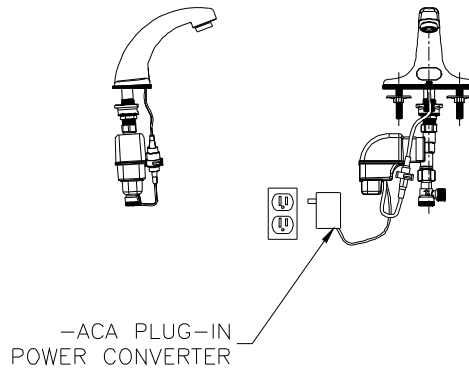
The information contained in this document is subject to change without notice.
Please contact Zurn for most up to date information.

TYPICAL Z6915-XL AquaSense Battery Powered Faucet

NOTE: Recommended through hole diameter to properly mount the spout/shank is 1-1/8" to 1-1/4".

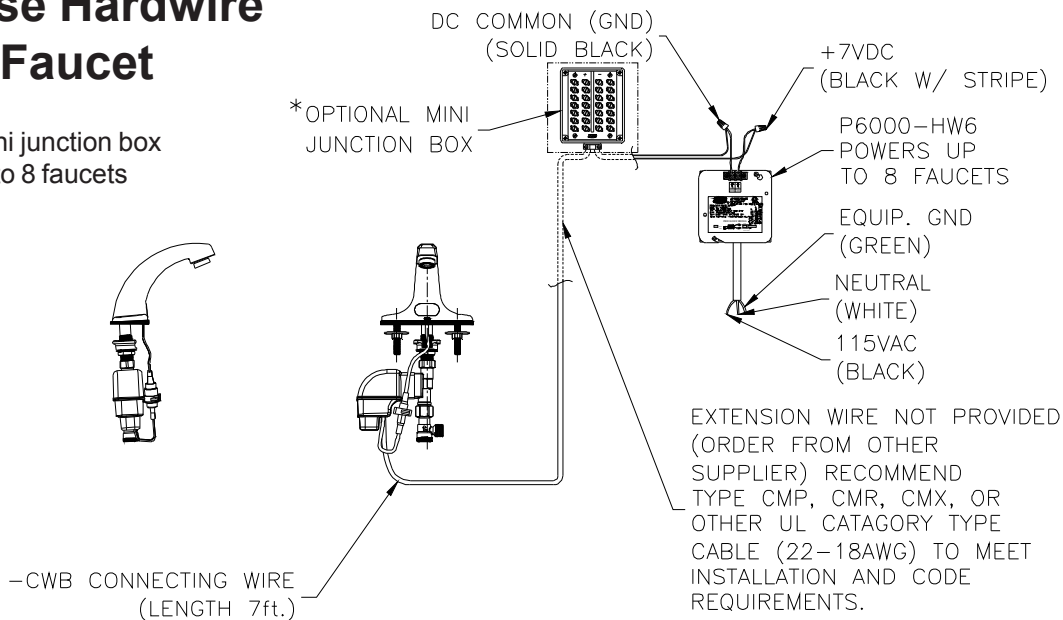


TYPICAL Z6915-XL-ACA AquaSense Plug-In Powered Faucet



TYPICAL Z6915-XL-CWB AquaSense Hardwire Powered Faucet

Optional:
 * Optional -MJ mini junction box for connecting up to 8 faucets



NOTE: MUST USE EITHER ZURN P6000-HW6 HARDWIRE POWER CONVERTER OR ZURN P6000-PC6 PLUG-IN POWER CONVERTER TO ENSURE PROPER OPERATION. USING A POWER CONVERTER OTHER THAN ZURN MAY RESULT IN OPERATION MALFUNCTION OR UNIT FAILURE.