

ELKAY[®]

SPECIFICATIONS

2 Station Wall-Mount Water Cooler Vandal-Resistant, Barrier Free Access Models VRCTLR8SC

GENERAL

Self-contained, double wall hung electric refrigerated, water cooler. Vandal-resistant unit for use in high demand locations where vandalism may occur. Rated for indoor or outdoor use.

Stainless steel construction provides vandal-resistant enclosure. Optional perforated stainless steel louver screening prevents objects from being inserted into cooler. Flow regulators provide constant stream from 20 to 150 psi water pressure. Heavy duty push button control is vandal-resistant.

ADA COMPLIANT

These Water Coolers comply with the requirements of A.D.A. (Americans with Disabilities Act) when properly installed. Also meets the guidelines for children's environments providing the floor to orifice height is 30" or less and proper clear floor space is provided for parallel approach. (Based on Architectural and Transportation Barriers Compliance Board final ruling.) Check Local and State Codes.

NO LEAD DESIGN

These Water Coolers are certified to be lead-free as defined by the Safe Drinking Water Act. Elkay Water Coolers are manufactured with a waterway system utilizing copper components and completely lead-free materials. These waterways have no lead because all lead materials, such as leaded brass, have been removed. All joints are brazed using silver solder only. No lead solder is permitted. A strainer with an easily cleanable screen is provided to allow trapping and convenient removal of waterborne particulate of 140 microns and larger prior to their entry into the water cooler.

CAPACITIES CHART

Model Number	Volt./Hertz	Base Rate	**GPH of 50°F Drinking Water			Rated Watts	Full Load Amps	Glass Filler Option	Filter Option	Louver Screens	Ship. Wt. Lbs. (Kg.)
			Room Temperature °F								
			70°F (21°C)	80°F (27°C)	90°F (32°C)						
VRCTLR8SC	120V/60Hz	7.8	9.4	8.6	7.8	575	5	No	Yes	Yes	94
VRCTLR8S2JOC	220-240V/50Hz	6.5	7.9	7.2	6.5	575	2.5	No	Yes	Yes	94
VRCTLR8S3JOC	220-240V/60Hz	7.5	9.4	8.6	7.8	575	2.5	No	Yes	Yes	94
VRCTLRDDSC	-	-	-	-	-	-	-	No	Yes	Yes	56

**Based on 80°F (27°C) inlet water temperature.

Rated watts shown are based on operational (run) time, in accordance with A.R.I. Standard 1010 conditions. Specific applications will determine the actual watts consumed per hour. Watts consumed will be based on number of people served per hour (usage), ambient temperatures, and inlet water temperature.

COOLING SYSTEM

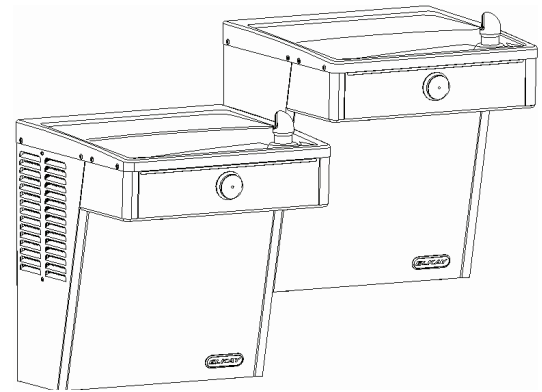
Motor Compressor: Hermetically sealed, reciprocating type, 120 Volt/60 Hz, single phase or 220-240 Volt/50 Hz or 60 Hz, two phase. Sealed-in lifetime oil supply. Equipped with electric cord and three prong molded rubber plug.

Condenser: Fan cooled, copper tube with aluminum fins. Fan motor is permanently lubricated.

Cooling Unit: Combination tube-tank type. Tube portion is continuous coil of copper tubing. Fully insulated with EPS foam which meets Underwriters Laboratories Inc. requirements for self extinguishing material.

Refrigerant Control: Refrigerant HFC-134a is controlled by accurately calibrated capillary tube for positively trouble-free operation.

In keeping with our policy of continuing product improvement, Elkay reserves the right to change product specifications without notice. Please visit elkayusa.com for most current version of Elkay product specification sheets.



Model VRCTLR8SC

Temperature Control: Enclosed adjustable thermostat is factory preset. Requires no adjustment other than for altitude requirements. Easily accessible.

CONSTRUCTION

Frame: Galvanized structural steel chassis supports fountain top and cabinet panels.

Fountain Top: Series 300 one piece stainless steel top, polished to a uniform Elkay bright luster finish. Basin has embossed bubbler pad.

Vandal-Resistant Bubbler: Heavy duty, one piece construction. Keyed into position to prevent rotation. Meets UL requirements and all sanitary codes.

Cabinet: Cabinet design allows for flush to wall mounting. No recess space is required. Includes bottom cover plate fastened with vandal-resistant screws.

Color Selection: Stainless steel furnished as standard.

ALSO AVAILABLE

MODEL VRCSCTLR8SC: Same as VRCTLR8SC model with perforated stainless steel louvers screening prevents objects from being inserted into coolers.

Protected by Elkay's 5 Year Limited Warranty on the refrigeration system of the unit.

Elkay Pressure-Type Water Coolers are designed to operate on 20 psi (138 KPa) to 105 psi (724 KPa) supply line pressure. If inlet pressure is above 105 psi (724 KPa), a pressure regulator must be installed in the supply line. Any damage caused by reason of connecting this product to supply line pressures lower than 20 psi (138 KPa) or higher than 105 psi (724 KPa) is not covered by the warranty.

STANDARDS

 Elkay Electric Air Cooled Water Coolers are listed by Underwriters Laboratories Inc. and comply with both Canadian and U.S. requirements.

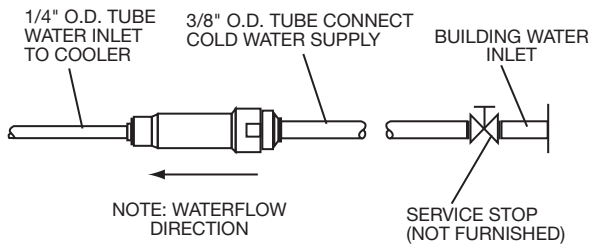
These units comply with A.R.I. Standard 1010.

This cooler is certified by WQA to lead-free compliance including NSF/ANSI 61-ANNEX G, AB 1953.

2 Station Wall-Mount Water Cooler Vandal-Resistant, Barrier Free Access Models VRCTLR8SC

ELKAY®

ROUGH-IN DIMENSIONS



IMPORTANT! INSTALLER PLEASE NOTE:

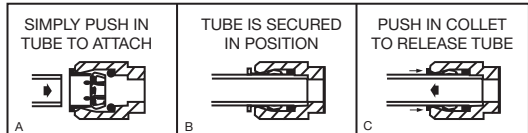
This water cooler has been designed and built to provide water to the user which has not been altered by materials in the cooler waterways. The grounding of electrical equipment such as telephone, computers, etc., to water lines is a common procedure. This grounding may be in the building but may also occur away from the building. This grounding can cause electrical feedback into a water cooler creating an electrolysis which creates a metallic taste or causes an increase in the metal content of the water. This condition is avoidable by installing the cooler using the proper materials as shown below.

NOTICE

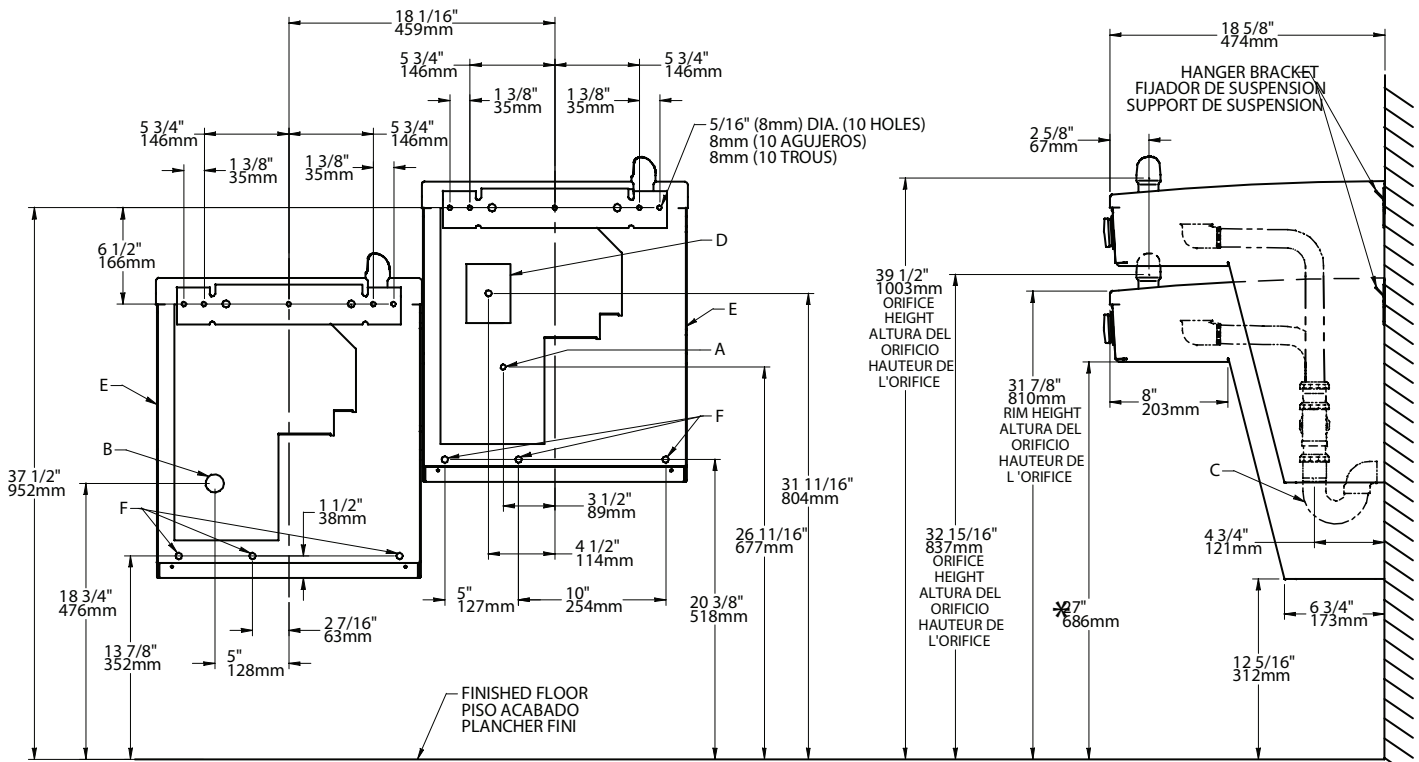
This water cooler must be connected to the water supply using a dielectric coupling. The cooler is furnished with a non-metallic strainer which meets this requirement. The drain trap which is provided by the installer should also be plastic to completely isolate the cooler from the building plumbing system.

Minimum 40 psi supply line pressure required in special circumstances when both sides of bilevel are in use simultaneously to ensure adequate stream height. Does not apply to non-refrigerated units.

OPERATION OF QUICK CONNECT FITTINGS



PUSHING TUBE IN BEFORE PULLING IT OUT HELPS TO RELEASE TUBE



REDUCE HEIGHT BY 3" FOR INSTALLATION OF CHILDREN'S ADA COOLER

LEGEND

- A = RECOMMENDED WATER SUPPLY LOCATION. SHUT OFF VALVE (NOT FURNISHED) TO ACCEPT 3/8" O.D. UNPLATED COPPER TUBE. 3" (76mm) MAXIMUM OUT FROM WALL.
- B = RECOMMENDED LOCATION FOR WASTE OUTLET 1-1/4" O.D. DRAIN.
- C = 1-1/4" TRAP NOT FURNISHED
- D = ELECTRICAL SUPPLY (3) WIRE RECESSED BOX.
- E = INSURE PROPER VENTILATION BY MAINTAINING 6" (152mm) (MIN.) CLEARANCE FROM CABINET LOUVERS TO WALL.
- F = 5/16" BOLT HOLES FOR FASTENING UNIT TO WALL.

*ADA REQUIREMENT