

PRODUCT SPECIFICATIONS

Elkay Vandal Resistant Classroom Bubbler. Overall dimensions are 5-1/16" x 1-15/16" x 5-11/16". Made of Chrome Plated Brass.

Material:	Chrome Plated Brass
Finish:	Chrome (CR)
Dimensions:	5-1/16" x 1-15/16" x 5-11/16"
Shipping Weight:	4

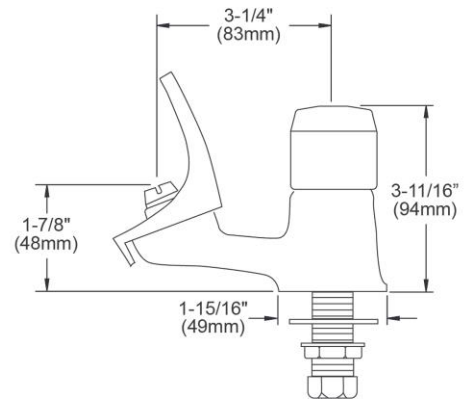
- Vandal-resistant bubblers feature chrome-plated integral hood guard to prevent contamination from other users, airborne deposits and tampering.
- Push-button valve bubbler designed so that water never comes in contact with lead-containing materials.
- Built-in adjustable water volume control which regulates flow from 20 psi to 105 psi.
- Heavy chrome plated body with a 1/2" (13mm) straight pipe thread connection.
- Requires single faucet hole.



AMERICAN PRIDE. A LIFETIME TRADITION.
Like your family, the Elkay family has values and traditions that endure. For almost a century, Elkay has been a family-owned and operated company, providing thousands of jobs that support our families and communities.



[Clean and Care Manual \(PDF\)](#)
[Installation Instructions \(PDF\)](#)
[Limited Warranty \(PDF\)](#)



PART: _____ QTY: _____

PROJECT: _____

CONTACT: _____

DATE: _____

NOTES: _____

APPROVAL: _____

In keeping with our policy of continuing product improvement, Elkay reserves the right to change product specifications without notice. Please visit elkay.com for the most current version of Elkay product specification sheets. This specification describes an Elkay product with design, quality, and functional benefits to the user. When making a comparison of other producers' offerings, be certain these features are not overlooked.