

PRODUCT SPECIFICATIONS

Elkay Commercial Service/Utility Wall Mount Faucet with Bucket Hook Rough Chrome. Faucet has a flow rate of 4.0 GPM, and is made of Chrome Plated Brass material, with a Quarter Turn Ceramic Disc valve. Faucet requires 2 faucet holes.

Mounting Type:	Wall Mount
Special Features:	Solid Brass Construction
Finish:	Chrome (CR)
Handle Type:	2" Lever Handle
Deck Clearance:	1/2"
Spout Reach:	6-1/2"
Spout Height:	3-7/8"
Hole Drillings:	2
Material:	Chrome Plated Brass
Valve Type:	Quarter Turn Ceramic Disc
Valve Connection:	1/2" NPT Female Inlet
Flow Rate:	4.0 GPM
Faucet Hole Spread:	8
Spout Swing Rotation:	0°
Spout Type:	Fixed Spout

Special Note: Integral supply stops

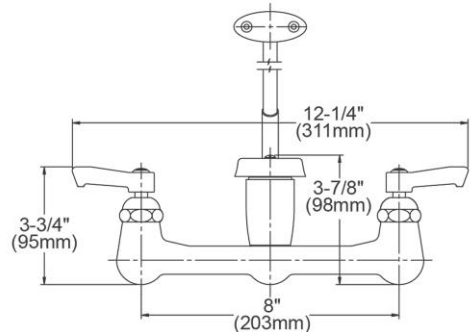
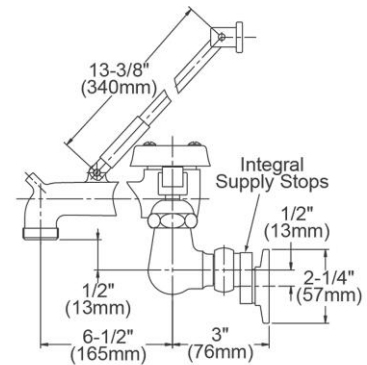


AMERICAN PRIDE. A LIFETIME TRADITION.
Like your family, the Elkay family has values and traditions that endure. For almost a century, Elkay has been a family-owned and operated company, providing thousands of jobs that support our families and communities.



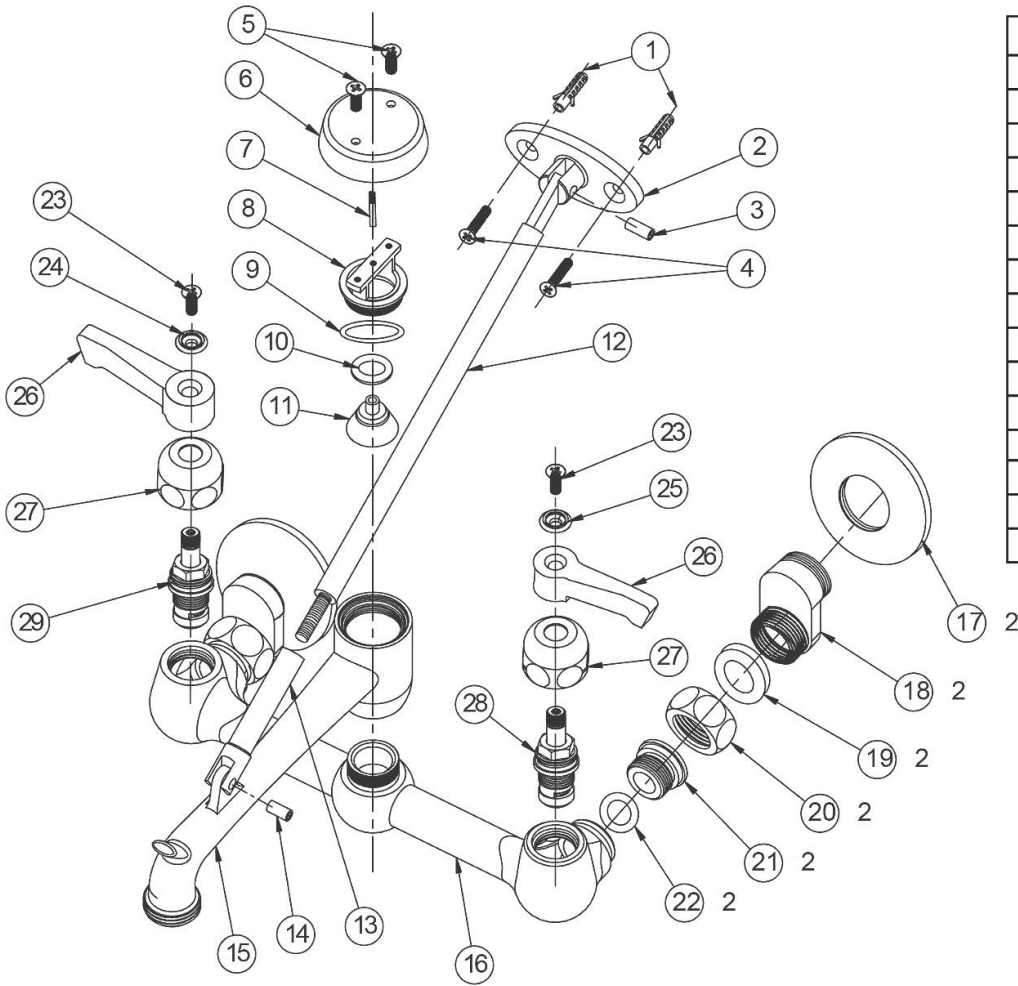
Product Compliance: ADA & ICC A117.1
ASME A112.18.1/CSA B125.1
NSF 61

[Clean and Care Manual \(PDF\)](#)
[Installation Instructions \(PDF\)](#)
[Limited Warranty \(PDF\)](#)



PART: _____ QTY: _____
 PROJECT: _____
 CONTACT: _____
 DATE: _____
 NOTES: _____
 APPROVAL: _____

In keeping with our policy of continuing product improvement, Elkay reserves the right to change product specifications without notice. Please visit elkay.com for the most current version of Elkay product specification sheets. This specification describes an Elkay product with design, quality, and functional benefits to the user. When making a comparison of other producers' offerings, be certain these features are not overlooked.



Item No.	Description
1	Plug
2	Brace - Stator
3	Pin - Long
4	Screw - Phil Oval HD
5	Screw - Phil Oval HD
6	Handle
7	Leader
8	Bonnet
9	"O" Ring
10	Washer
11	Seat
12	Brace
13	Adapter
14	Pin - Short
15	Spout

Item No.	Description
16	Body
17	Cap - Wall
18	Adapter "S" w/ Integral Supply Stops
19	Washer
20	Nut
21	Adapter
22	"O" Ring
23	Screw - Phil Oval HD
24	Ring - Red Mark
25	Ring - Blue Mark
26	Handle
27	Bonnet
28	Right Handle Cartridge Assembly - 45923C
29	Left Handle Cartridge Assembly - 45924C

In keeping with our policy of continuing product improvement, Elkay reserves the right to change product specifications without notice. Please visit elkay.com for the most current version of Elkay product specification sheets. This specification describes an Elkay product with design, quality, and functional benefits to the user. When making a comparison of other producers' offerings, be certain these features are not overlooked.