

SPECIFICATIONS

PRODUCT SPECIFICATIONS

Elkay 3-1/2" Drain Fitting Rotary Lever Operated with Overflow.
Overall dimensions are 28-1/4" x 1-1/2" x 24-5/16". Made of Chrome Plated Brass.

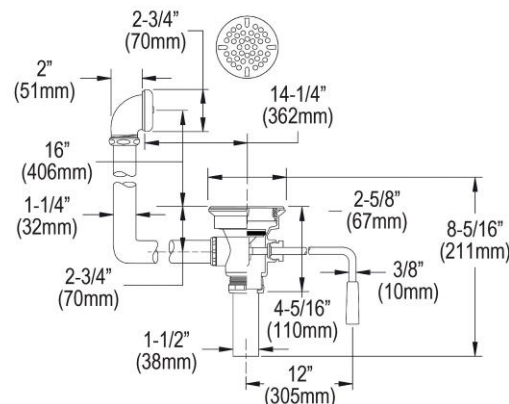
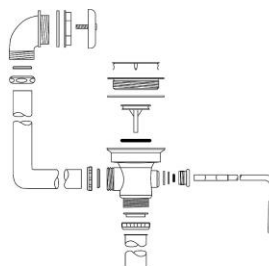
Material:	Chrome Plated Brass
Finish:	Polished Stainless Steel
Dimensions:	28-1/4" x 1-1/2" x 24-5/16"
Shipping Weight:	5

- 1-1/4" OD. Chrome plated brass connected overflow with stainless steel overflow faceplate, 1-1/2" O.D. x 4" tailpiece.
- 4-1/8" O.D. top stainless steel flange with brass body.
- Stainless steel perforated grid and lever arm.
- Chrome plated brass tailpiece.



AMERICAN PRIDE. A LIFETIME TRADITION.
Like your family, the Elkay family has values and traditions that endure. For almost a century, Elkay has been a family-owned and operated company, providing thousands of jobs that support our families and communities.

[Clean and Care Manual \(PDF\)](#)
[Limited Warranty \(PDF\)](#)



PART: _____ QTY: _____

PROJECT: _____

CONTACT: _____

DATE: _____

NOTES: _____

APPROVAL: _____

In keeping with our policy of continuing product improvement, Elkay reserves the right to change product specifications without notice. Please visit elkay.com for the most current version of Elkay product specification sheets. This specification describes an Elkay product with design, quality, and functional benefits to the user. When making a comparison of other producers' offerings, be certain these features are not overlooked.