

**Multi-Unit Adapter & Wire Lead
Models LK727 and LK730**

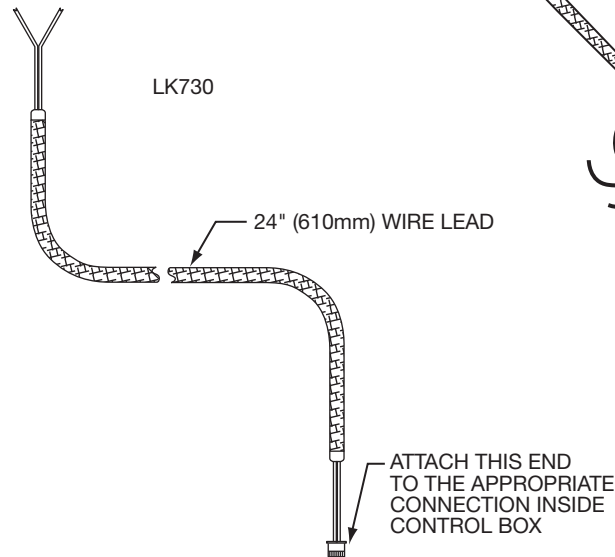
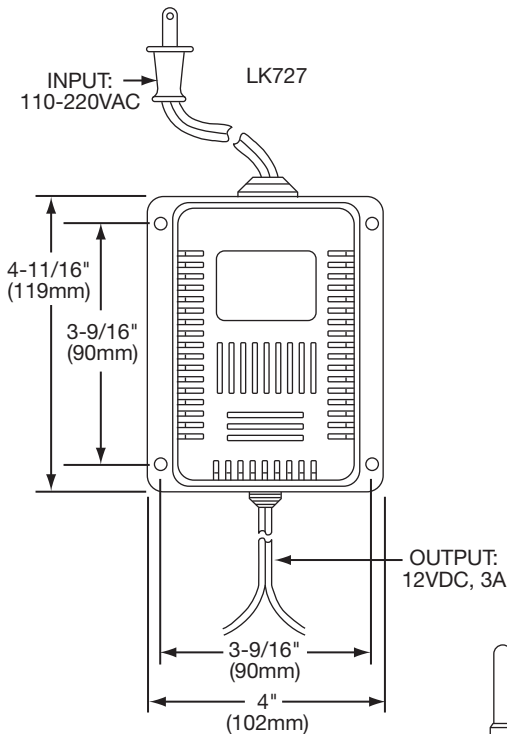
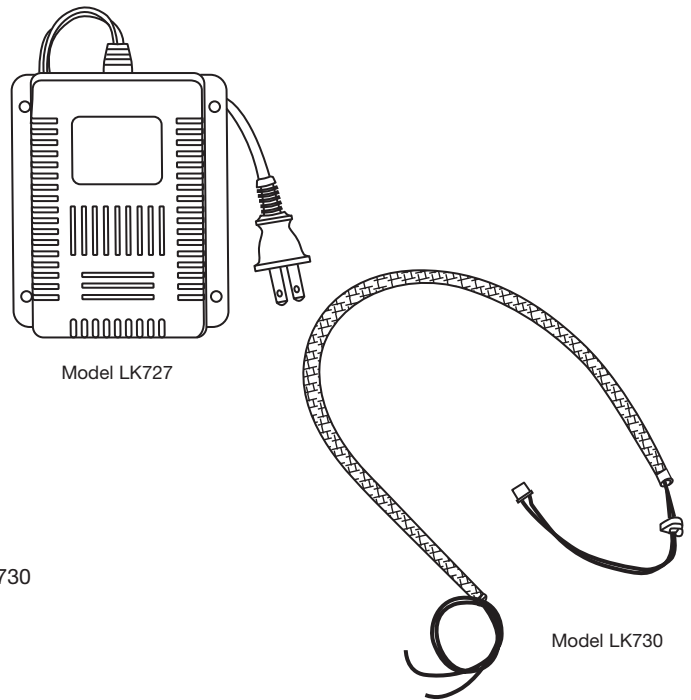


SPECIFICATIONS

GENERAL

LK727 Multi-unit 12 Volt output power adapter. Adapter is designed to be used with the LK721AC and the LK722AC sensor faucets only. The adapter and the LK730 wire lead (purchased separately) can be used in the field to connect up to 8 faucets to one power source. Depending on the location of the faucets and the location of the adapter, additional 20-22 gauge wire (not supplied) may be needed. Unit must be installed per local codes. Ship. Wt. 4 lbs.

LK730 24" (610mm) wire lead allows contractor to connect each faucet control box to one LK727 multi-unit power adapter. Depending on the location of the LK727, 20-22 gauge wire (not supplied) may be required from LK730 to LK727. Installer needs to remove the cover of the faucet control box and attach to the appropriate connection inside the box. Ship. Wt. 1 lb.



TYPICAL INSTALLATION (LK721AC)

