

# ELKAY<sup>®</sup>

## SPECIFICATIONS

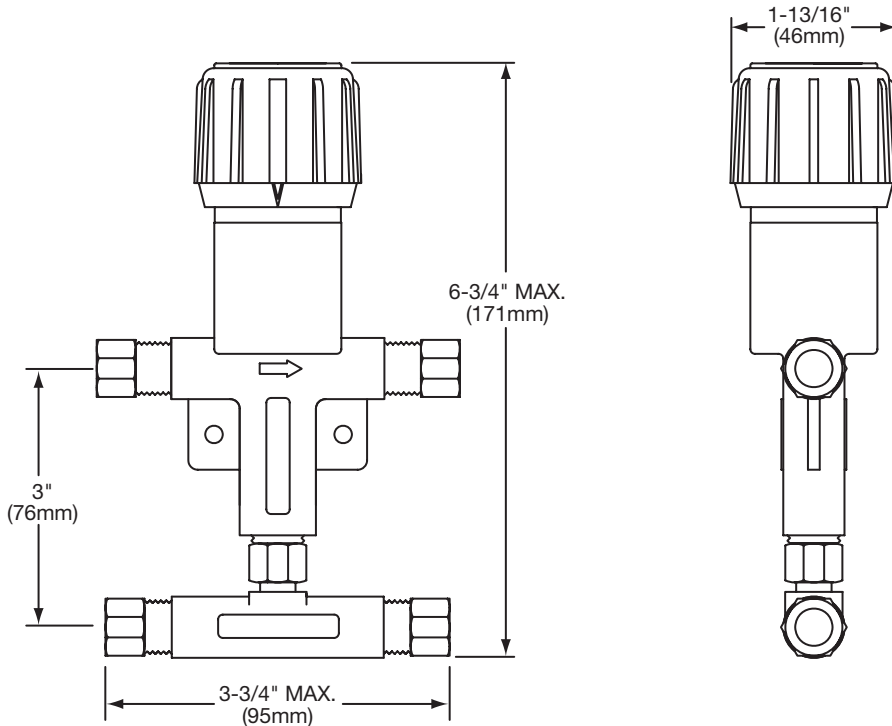
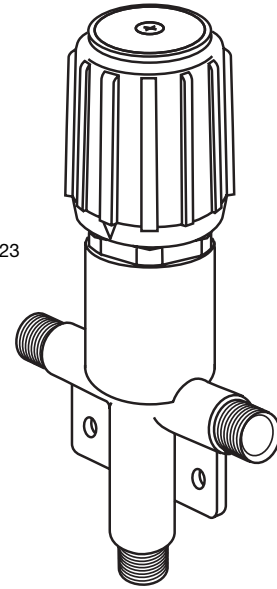
### Anti-Scald Universal Thermostatic Mixing Valve Model LK723

#### GENERAL

**LK723** Anti-scald thermostatic universal mixing valve with forged bronze body, 3/8" (10mm) compression type inlet and outlet connections. Contains a four port adapter to allow use for both touchless and two handle sink operations. Comes with internal check valves on inlets and mixed temperature range of 80-120°F. Ship. Wt. 1-1/2 lbs (0.7Kg).

 Certified under ASSE 1016 and ASSE 1070.

Model LK723



*In keeping with our policy of continuing product improvement, Elkay reserves the right to change product specifications without notice. Please visit [elkayusa.com](http://elkayusa.com) for most current version of Elkay product specification sheets.*

*This specification describes an Elkay product with design, quality and functional benefits to the user. When making a comparison of other producers' offerings, be certain these features are not overlooked.*