

**PRODUCT SPECIFICATIONS**

Elkay Drain Fitting 5-1/2" Stainless Steel Dome / Flat Grid Strainer.  
Overall dimensions are 5-5/16" x 5-5/16" x 3-1/4". Made of Chrome  
Plated Brass.

<b>Material:</b>	Chrome Plated Brass
<b>Finish:</b>	Chrome (CR)
<b>Dimensions:</b>	5-5/16" x 5-5/16" x 3-1/4"
<b>Shipping Weight:</b>	2

- Chrome plated brass body drain outlet fitting for 4-15/16" (125mm) opening.
- Field adjustable stainless steel flat grid strainer or dome strainer with 5-5/16"(135mm) O.D. top diameter.
- 3-5/8"(92mm) I.D. x 4"(102mm) O.D. tailpiece.
- Designed to attach to 3"(76mm) I.P.S. pipe utilizing caulk or epoxy.

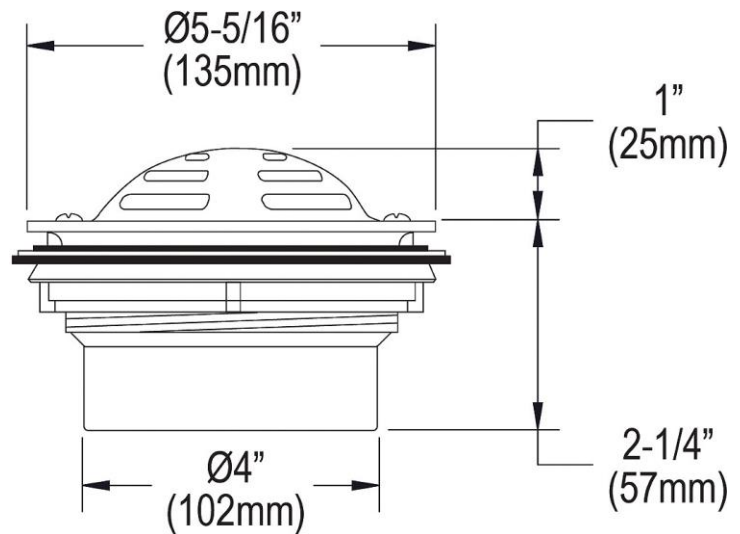


AMERICAN PRIDE. A LIFETIME TRADITION.  
Like your family, the Elkay family has values and traditions that endure. For almost a century, Elkay has been a family-owned and operated company, providing thousands of jobs that support our families and communities.



**Product Compliance:** ASME A112.18.2/CSA B125.2  
BUY AMERICAN ACT

[Clean and Care Manual \(PDF\)](#)  
[Limited Warranty \(PDF\)](#)



PART: \_\_\_\_\_ QTY: \_\_\_\_\_

PROJECT: \_\_\_\_\_

CONTACT: \_\_\_\_\_

DATE: \_\_\_\_\_

NOTES: \_\_\_\_\_

APPROVAL: \_\_\_\_\_

*In keeping with our policy of continuing product improvement, Elkay reserves the right to change product specifications without notice. Please visit [elkay.com](http://elkay.com) for the most current version of Elkay product specification sheets. This specification describes an Elkay product with design, quality, and functional benefits to the user. When making a comparison of other producers' offerings, be certain these features are not overlooked.*