

# SPECIFICATIONS

## PRODUCT SPECIFICATIONS

Floor Mount Double Foot Valve. Overall dimensions are 5-5/8" x 4-7/8" x 2". Made of Chrome Plated Brass.

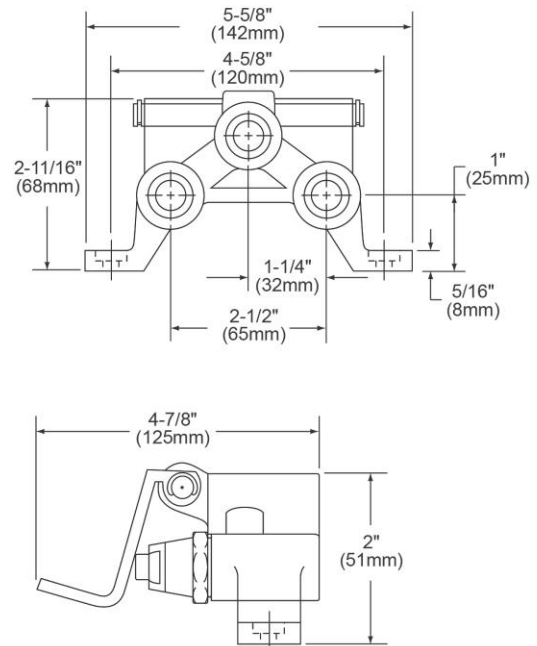
<b>Material:</b>	Chrome Plated Brass
<b>Dimensions:</b>	5-5/8" x 4-7/8" x 2"
<b>Shipping Weight:</b>	3

- Double foot mixing valve.
- 1/2" I.P.S. female inlets and outlet.
- Pedals are smooth chrome plated and color indexed.



**AMERICAN PRIDE. A LIFETIME TRADITION.**  
 Like your family, the Elkay family has values and traditions that endure. For almost a century, Elkay has been a family-owned and operated company, providing thousands of jobs that support our families and communities.

[Clean and Care Manual \(PDF\)](#)  
[Limited Warranty \(PDF\)](#)



PART: \_\_\_\_\_ QTY: \_\_\_\_\_

PROJECT: \_\_\_\_\_

CONTACT: \_\_\_\_\_

DATE: \_\_\_\_\_

NOTES: \_\_\_\_\_

APPROVAL: \_\_\_\_\_

*In keeping with our policy of continuing product improvement, Elkay reserves the right to change product specifications without notice. Please visit [elkay.com](http://elkay.com) for the most current version of Elkay product specification sheets. This specification describes an Elkay product with design, quality, and functional benefits to the user. When making a comparison of other producers' offerings, be certain these features are not overlooked.*