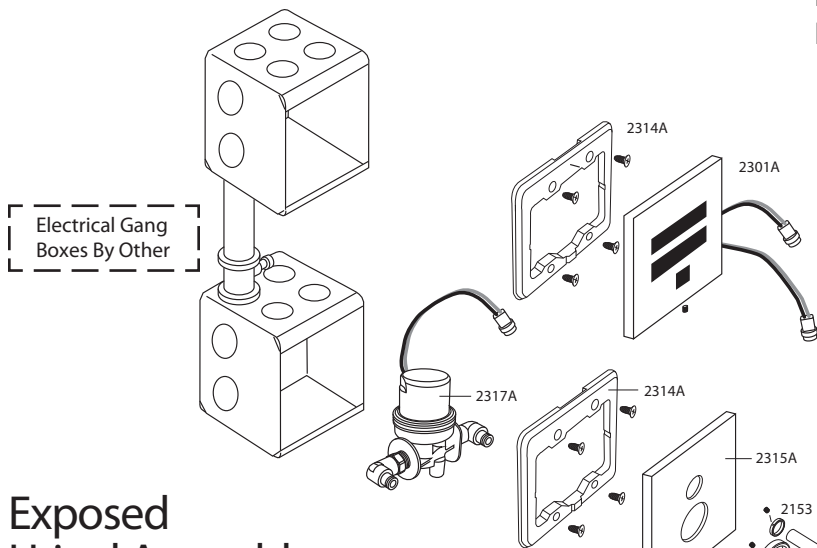


# TruSense & TruSense Plus

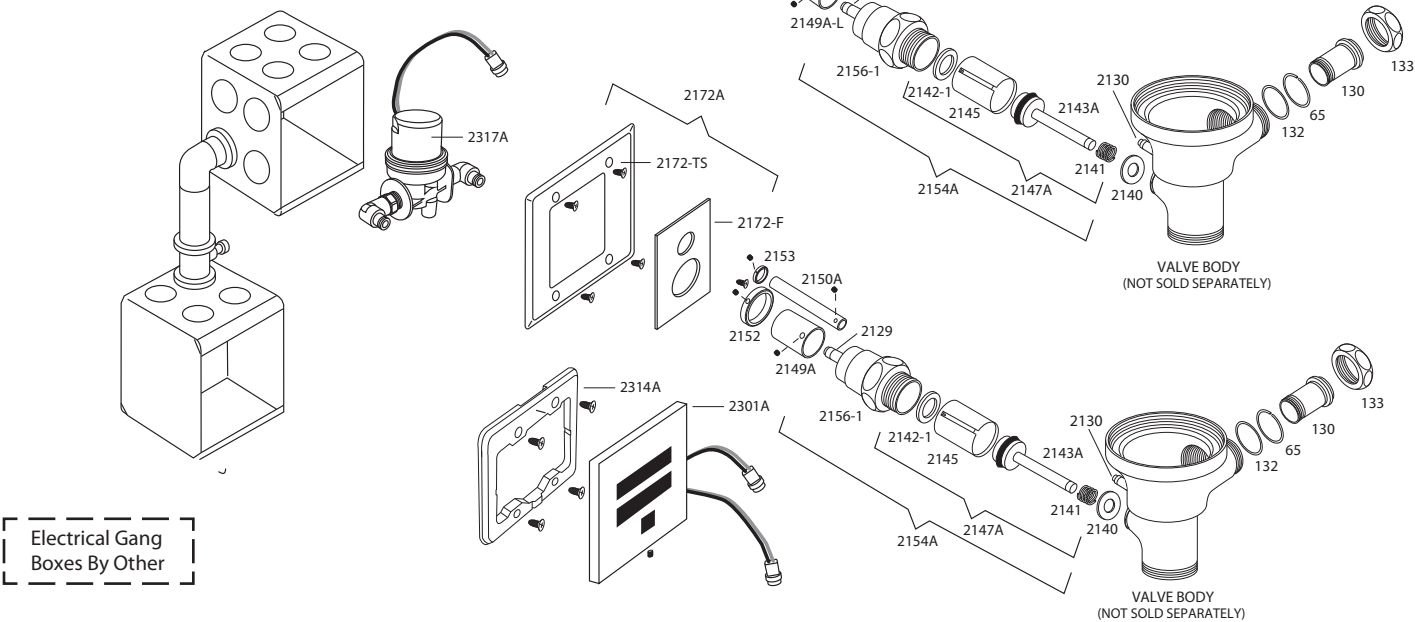
## Genuine Renewal Parts for "SC" Slip Connection Vlvs.

### Exposed Water Closet Assembly

NOTE: For detailed parts & diaphragm operating assy. information see the ULTRA or ULTRA Plus Parts Breakdown



### Exposed Urinal Assembly



### TruSense Piston Assembly

Partial Assemblies	
Part No.	Description
2147A	Piston Internal Operating Assembly
2154A	Piston Valve Assembly

Individual Parts	
Part No.	Description
57	Clamping Nut
58	Union Nut
** 64	KwikFit union tailpiece, 2" standard length overall (allows 4-1/2" to 5-1/2" centers. Complete with No.65 & No.66 parts)
65	"O" ring
66	Clamping ring

### Individual Parts Listing

**S130	Slip Connection union tailpiece, 2" standard length overall (allows 4-1/4" to 5-1/4" centers. Complete with No.S131 & No.S132 parts)
S132	Clamping ring (For Slip Connection Assy.)
S133	Union nut (For Slip Connection Assy.)
#2129	Straight release fitting (w/ black collar)
2130	Straight release fitting (w/ red collar)
#2133	Nylon tubing (black/or/blue in color)
#2134	Nylon tubing (red in color)
2140	Handle pad washer
2141	Spring (for piston operating stem)
2142-1	Piston bore washer
2143A	Piston operating stem
2145	Piston sleeve