

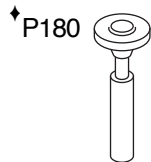
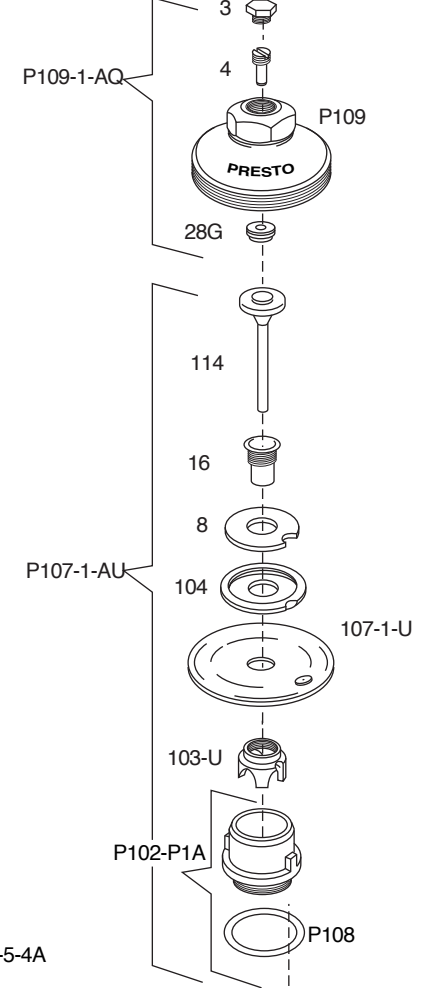
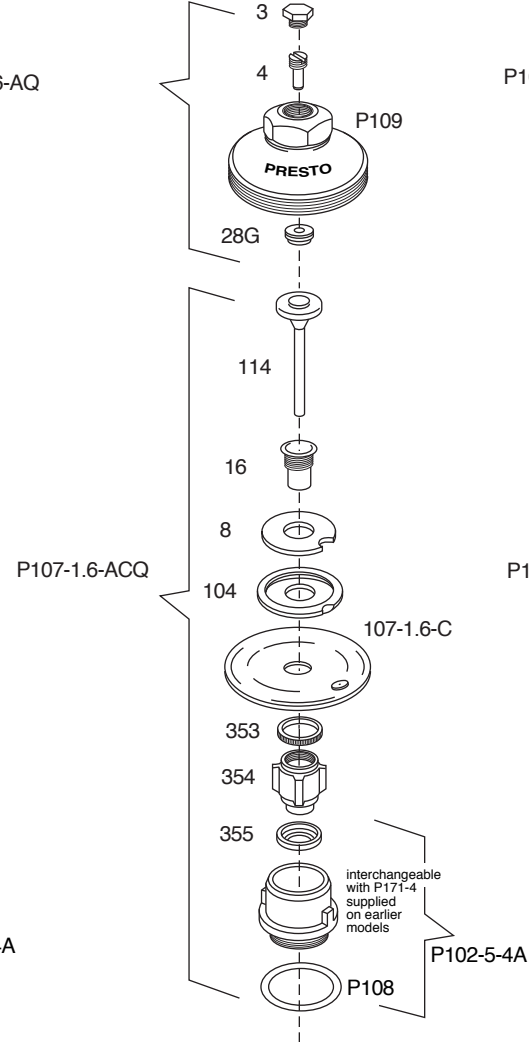
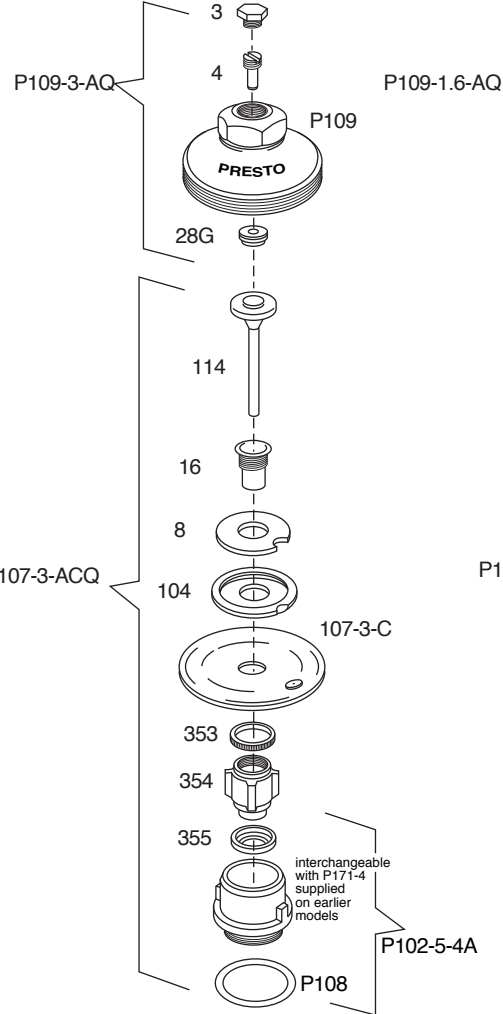
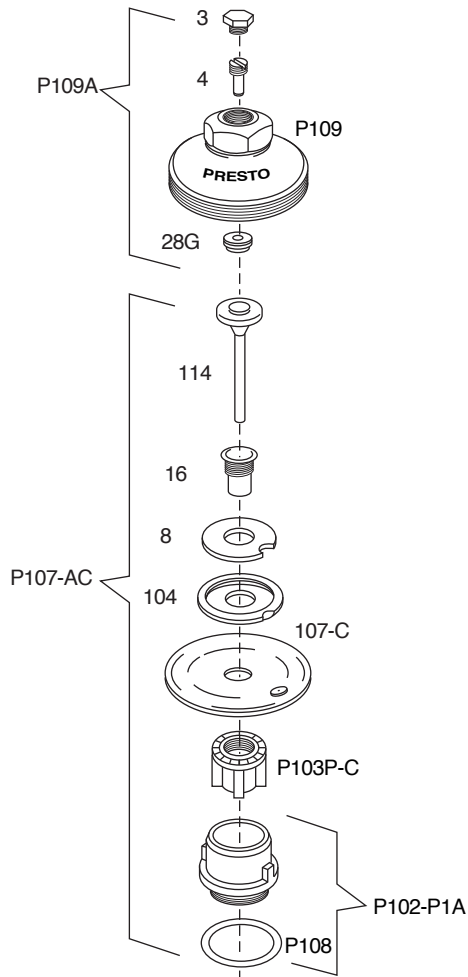
Delany Presto Valve

P402 / P452
(4.5 gpf valves with 1" supply)

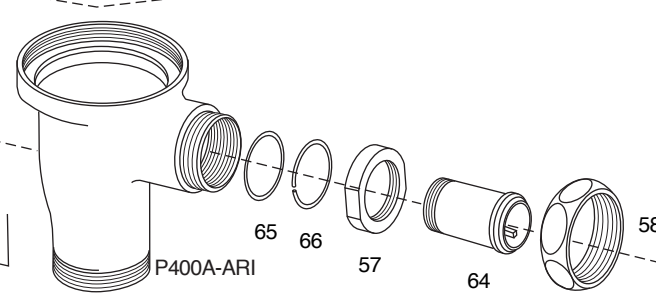
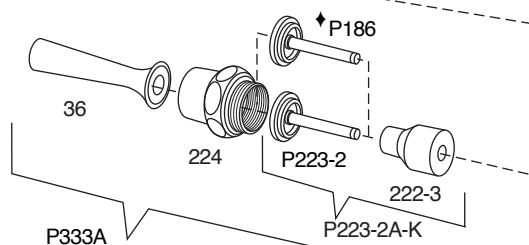
P402-3 / P452-3
(3.5 gpf valves)

P402-1.6 / P452-1.5
(1.6 gpf & 1.5 gpf valves)

P451 / P451-1.0
(1.0 gpf valves with 3/4" supply)



P180 part and P186 part supplied in valves with non hold open feature must be used together. For complete diaphragm operating assembly with non hold open feature, order as applicable:
 P107-AC-T5
 P107-ACQ-T5
 P107-3-ACQ-T5
 P107-1.6-ACQ-T5
 P107-1-AU-T5
 For complete handle assembly for non hold open feature, order P333A-T5



- 64-1 / TBX0895
5-1/2" - 6-1/2"
- 64-2 / TBX0896
6-1/2" - 7-1/2"
- 64-3 / TBX0897
7-1/2" - 8-1/2"