

GP1461-1.6-DF

AUTOMATIC DUAL FLUSH FLUSH VALVE (1.6/1.1 gpf & 6.0/4.2 Lpf per Flush)

TruEDGE Dual Flush w/ Bedpan Diverter & 1-1/2" Offset

Description

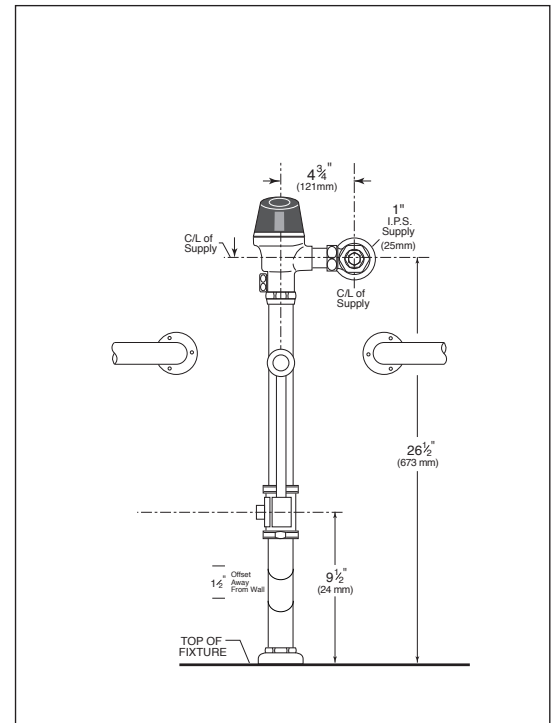
Battery powered, sensor activated, diaphragm operated, chrome plated exposed flush valve with Delany Bedpan Diverter valve for 1-1/2" floor mounted or wall hung top spud water closet.

Flush Cycle

Regular Delivery: 1.6 gpf/6.0 Lpf for Solid Waste flushing cycle.
Short Delivery: 1.1 gpf/4.2 Lpf for Liquids flushing cycle.

Specification

- 1" vandle proof TruStop ball valve designed angle control stop with TruChek.
- SmartChoice Technology software provides automatic selection of amount of discharge to save water as well as field adjustability for True-in-the-Field Water Conservation
- Remote for Range & Discharge Adjustability.
- Mashaerator self-cleaning diaphragm.
- Chloramine resistant diaphragm.
- 6 Volt DC latching solenoid valve
- 6 Volt DC litium battery (CR-P2 type).
- Infrared sensor with Dual Infrared Transmitter Technology.
- Arming delay of 10 seconds prevents unintentional flushes.
- Electronic courtesy flush push button.
- Renewable main valve seat.
- Sweat Adapter Kit.
- Delany Bedpan Diverter Spray Arm.
- Vacuum breaker w/ 26-1/2" rough-in flush connection & 1-1/2" offset.
- Wall flange, spud nut and spud flange for 1-1/2" top spud.
- All rubber parts molded of chloramine resistant rubber.



Patented TruStop Control Stop

Variations

- T36 - Solid ring wall support for flush connection
- T46 - Split ring wall support for flush connection

Valve is in compliance with the applicable sections of ASSE 1037 and ANSI/ASME 112.19.2

