



**Metro Series Features - Faucet and Soap**

- Refined, cylindrical design pairs with Verge™ soap model 6-3300
- Matching faucet and soap designs that integrate seamlessly with Bradley lavatories\*\*
- Chrome-plated cast brass construction with optional in-stock PVD finishes\*
- Sensing optimized to eliminate false activations and maximize battery life
- Vandal-resistant construction includes concealed sensor package, durable PVD finish options, and anti-rotational locking nut
- Patents Pending

**Faucet Key Features**

- Touch-free dual-sensor activation
- Multiple low flow laminar options
- Spout reach designed to optimize handwashing space
- Battery standard or optional AC plug-in adapter with battery backup
- Centershank, anti-rotational locking nut
- Low battery LED indicator with sensor package
- Consistent parts platform across all Verge faucet designs
- Cast brass spout construction with durable, environmentally-friendly finishes\*

**Specification**

Refined, cylindrical design pairs with soap model 6-3300 and integrates seamlessly with Bradley lavatories\*\*. Touch-free, dual-sensor activation with time of flight and diffuse reflective sensors that work in tandem to detect and confirm the user's presence, eliminating false activations. Battery pack standard or optional AC adapter with battery back-up. Faucet shall feature chrome-plated cast brass construction with optional in-stock PVD finish. Low-flow laminar device options available to conserve water. Vandal-resistant construction includes concealed sensor package, vandal-resistant laminar flow device, durable PVD finish options, and anti-rotational locking nut.





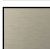
**Overall Dimensions**

- Height: 5-5/16" (135 mm)
- Reach: 4-7/8" (124 mm) to flow device
- Reach: 5-3/4" (146 mm) to sensor centerline

Verify all rough-in dimensions prior to installation.  
 Consult local and national codes. Conformity and compliance to local and national codes is the responsibility of the installer.



**Finishes**

-  Polished Chrome
-  Brushed Black Stainless \*
-  Brushed Stainless \*
-  Brushed Bronze \*
-  Brushed Brass \*
-  Brushed Nickel \*

\*PVD Finishes, see PVD Finishes section on Page 2.

**Product Compliance**

- ADA / ICC ANSI A117.1, Citations 309.4, 606.4
- IAPMO cUPC
- ASME A112.18.1/CSA B125.1
- Meets NSF 372



**Compatible Bradley Products**

- [Verge Deck-Mounted Soap Dispenser – Metro Series](#)
- [Verge Lavatory Systems\\*\\*](#)
- [ELX Lavatory Systems\\*\\*](#)
- [LD-3010 OmniDecks\\*\\*](#)



## Operation

- Touch-free dual sensor activation
- Standard 11 second max run time per activation
- Standard 11 second auto system rinse if not activated within 24 hours
- Option for manual flush
- Low flow options 0.35 gpm (1.3 L-Min) or 0.50 gpm (1.9 L-Min)
- Laminar flow device

## Sensor Technology

- Dual sensor detects user's hand within a 4" detection range
- First sensor is always operating but does so under low power settings, while the second sensor is more accurate in its detection, minimizing false activations
- After the first sensor detects the presence of something, the second sensor is activated to ensure accurate activation of the fixture
- Sensors work in tandem to adapt to light, color, and optimize battery life
- Sensor has a narrow cone to prevent simultaneous activations with the soap dispenser

## Indicator Lights

- Power ON: Flashes red for 1.5 seconds
- Water dispense activation: Single flash green light
- Low power indication: Continuously flashing green light

## Power Source

### Standard Equipment

- Battery box
- 4x AA alkaline batteries included
- Battery life – alkaline up to 250,000 cycles per set
- Easily convert from battery only to AC adapter
- Low battery indicator with sensor package

### Optional Equipment

- Single AC adapter or AC adapter splitter kit (ordered separately)
- Splitter kit powers up to 4 faucets or combination of 4 faucets and soap dispensers
- 120V AC/6V DC plug-in adapter requires 120V/220V, 50/60Hz power source
- Battery box converts to battery back-up when using AC adapter

Verify all rough-in dimensions prior to installation.  
Consult local and national codes. Conformity and compliance to local and national codes is the responsibility of the installer.

## Mounting

- Requires 1-1/4" to 1-3/8" centershank drilling
- Faucet comes with anti-rotational connection

## Materials

Faucet comes in chrome-plated cast brass construction with optional in-stock PVD finishes\*

### \* PVD Finishes

Physical Vapor Deposition is an intricate, environmentally friendly finishing process that molecularly bonds the finish to the faucet, creating a very hard, durable surface that will not corrode, discolor, or tarnish

## Vandal Resistance

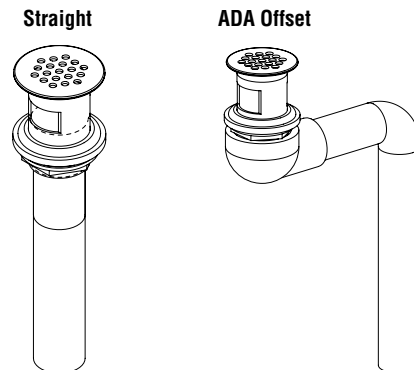
- Concealed sensor package deters vandalism
- Shank features anti-rotational locking nut
- Vandal-resistant laminar flow device
- Durable PVD finish is scratch resistant

## Water Supply

- Operating water pressure range 20-125 psi
- Control module integrates choice of thermostatic mixing valve or tempered line valve to deliver tempered water
- Water source located outside of control module to prevent water damage to electrical components
- In-line filter included with mixing valve and tempered line valve to trap debris

## Drain Assembly

- Complete your faucet selection with an optional drain assembly
- Includes grid strainer
- Available in a straight or ADA offset configuration

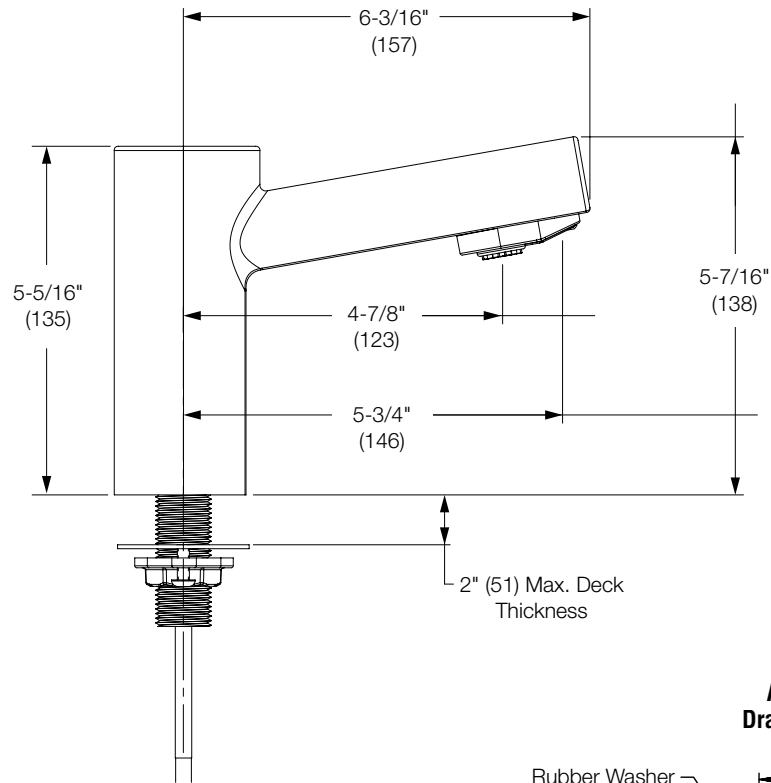




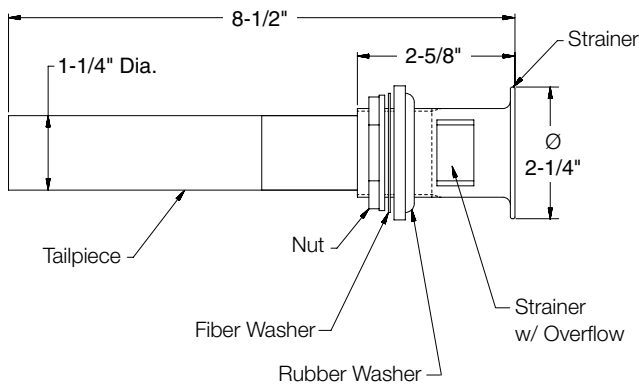


**Metro Series Faucet Dimensions**

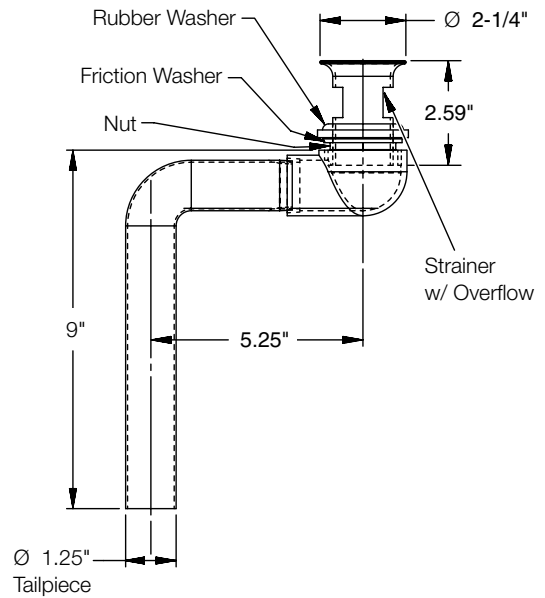
(mm)



**Straight Drain Assembly**



**ADA Offset Drain Assembly**



Verify all rough-in dimensions prior to installation.  
 Consult local and national codes. Conformity and compliance to local and national codes is the responsibility of the installer.