

**Security recessed shelf:**

**Model SA47 – Chase Mounted**

**Product Materials**

**RECESSED SHELF:** 16 gauge stainless steel with exposed surfaces in architectural satin finish. Interior is satin glass blast finish. All welds ground smooth and corners rounded.

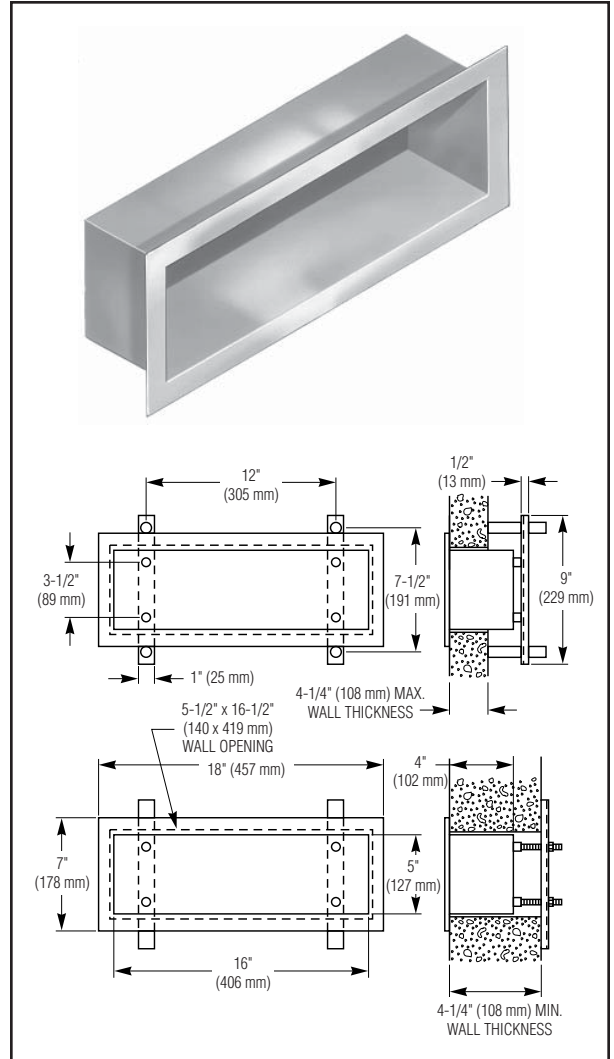
**BACKPLATE:** 11 gauge die-formed galvanized steel.

**Installation**

Verify all rough-in dimensions prior to installation. Back of shelf has welded anchor nuts to receive threaded studs (provided).

**Standard Selections**

<b>WALL THICKNESS (must specify)</b>
<input type="checkbox"/> Specify Thickness: _____



**Washroom Accessories  
Document No. 9265**