

Security clothes hook strip:

- Model SA38 – Chase-Mounted
- Model SA39 – Front-Mounted

Product Materials

BACKPLATE: 14 gauge stainless steel with exposed surfaces in architectural satin finish with rounded corners and smooth edges.

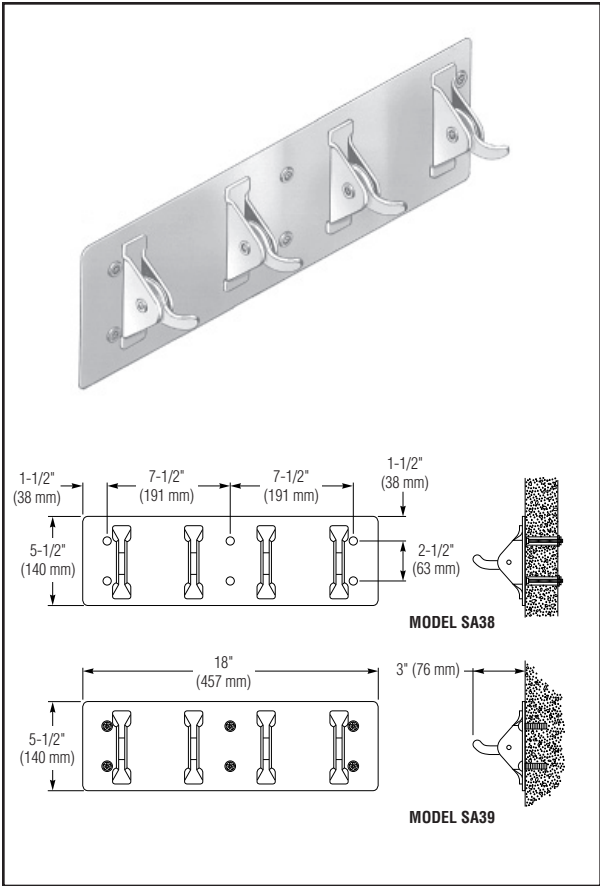
SAFETY HOOK: 11 gauge stainless steel bracket with 7 gauge stainless steel hook. Hook is secured to bracket by torx-head screw and rubber friction washers. Unit manufactured to release when more than 20 lbs. of force is applied. Tension adjustment can be made by use of torx driver.

MODEL SA38 MOUNTING: Backplate has welded anchor nuts to receive 1/4"-20 studs (provided). Nuts and washer included with unit.

MODEL SA39 MOUNTING: Unit supplied with 1/4" - 20 x 1" T27 torx head machine screws for installation to wall anchors (not included).

Standard Selections

WALL THICKNESS (must specify)
<input type="checkbox"/> Specify Thickness: _____



Washroom Accessories
Document No. 9260

This information is subject to change without notice.
Always consult local and national codes for proper installation guidelines. Conformity and compliance to local and national codes is the responsibility of the installer.

8-11-2011

© 2010 Bradley Corporation
P.O. Box 309, Menomonee Falls, WI 53052-0309
Phone: 800.BRADLEY (800.272.3539) Fax: 262.253.4161
bradleycorp.com