

Security toilet tissue holder:

- Model SA13 – Chase Mounted
- Model SA14 – Front Mounted
- Model SA15 – Partition Mounted

Product Materials

TISSUE HOLDER: 14 gauge stainless steel with exposed surfaces in architectural satin finish. Interior is satin glass blast finish. All welds and edges are ground smooth and corners are rounded.

MODEL SA13 MOUNTING: Back of holder has welded anchor nuts to receive threaded studs (provided). Back plate of 11 gauge die-formed galvanized steel.

MODEL SA14 MOUNTING: Unit supplied with 1/4" - 20 x 1" T27 torx head machine screws for installation to wall anchors (not included).

MODEL SA15 MOUNTING: Unit supplied with chrome plated brass thru-bolts for attaching to 1" thick partitions. Sufficient adjustment for back-to-back installation.

Standard Selections

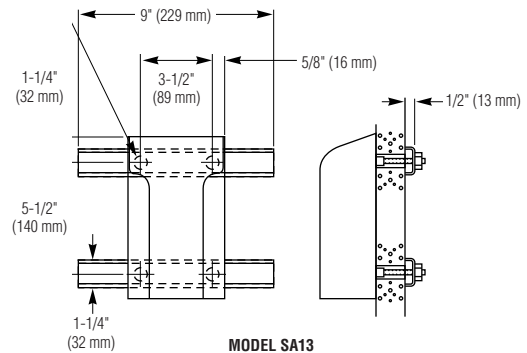
WALL THICKNESS (must specify)
<input type="checkbox"/> Specify Thickness: _____

ADA Compliant

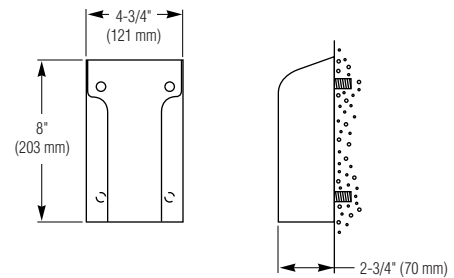
- Consult local and national accessibility codes for proper installation guidelines.
- Conformity and compliance to local and national codes is the responsibility of the installer.



7/8" (22 mm) DIA. WALL OPENING



MODEL SA13



MODEL SA14

Washroom Accessories
Document No. 9205