

Security toilet tissue roll holder:

Model SA09 – Chase-Mounted

Product Materials

TISSUE HOLDER: 18 gauge seamless 1" diameter stainless steel tubing in architectural satin finish. Stainless steel end cap is welded and ground smooth to a matching architectural satin finish.

FLANGE: 11 gauge stainless steel in architectural satin finish, welded to tubing. Back of flange has welded anchor nuts to receive threaded studs (provided).

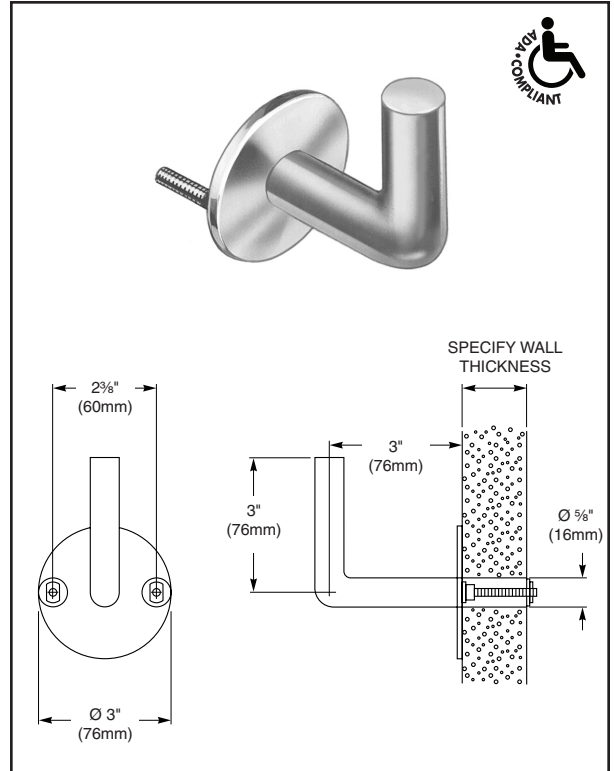
WARNING Unit can be used as a suicide device and is not recommended for penal institution or mental health applications.

Standard Selections

WALL THICKNESS (must specify)
<input type="checkbox"/> Specify Thickness: _____

ADA Compliant

- Consult local and national accessibility codes for proper installation guidelines.
- Conformity and compliance to local and national codes is the responsibility of the installer.



Washroom Accessories
Document No. 9190