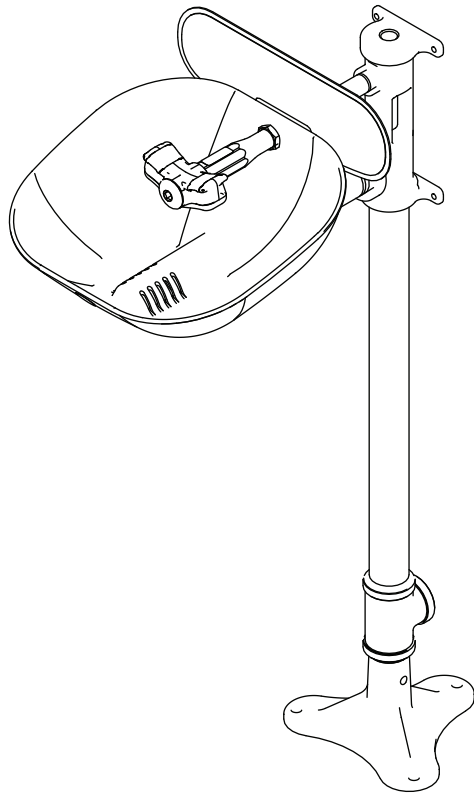


# Installation



## S19214 Series

### Halo™ Pedestal-Mount Eyewash or Eye/Face Wash

Patents Pending

### Halo™ douche oculaire/ faciale sur pied

Brevets en instance

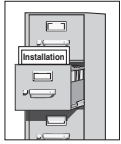
### Halo™ Lavaojos/rostro montado en pedestal

Patentes pendiente

## Table of Contents

Table of Contents . . . . .	2
Pre-Installation Information . . . . .	3
Halo Pre-Configured Models . . . . .	4
Product Configuration . . . . .	5
Dimensions . . . . .	6
Installation Instructions . . . . .	7
Service Parts — Bowl and Hub . . . . .	8–9
Service Parts — Eyewash, Eye/Face Wash and Bowl Covers . . . . .	10–12
Service Parts — Base and Drain . . . . .	13
Service Parts — Optional Accessories . . . . .	14
Avant l'installation . . . . .	15
Configuration du produit . . . . .	16
Dimensions . . . . .	17
Instructions d'installation . . . . .	18
Pièces de remplacement — Récepteur et moyeu . . . . .	19–20
Pièces de remplacement — Douche oculaire, Douche oculaire/ faciale et couvercle anti-poussières . . . . .	21–23
Pièces de remplacement — Bride et drain . . . . .	24
Pièces de remplacement — Accessoires en option . . . . .	25
Información previa a la instalación . . . . .	26
Configuración del producto . . . . .	27
Dimensiones . . . . .	28
Instrucciones de instalación . . . . .	29
Piezas de repuesto — Receptor y buje . . . . .	30–31
Piezas de repuesto — Lavajojos, lavajojos/rostro y cubierta contrapolvo . . . . .	32–34
Piezas de repuesto — Base y drenaje . . . . .	35
Piezas de repuesto — Accesorios opcionales . . . . .	36

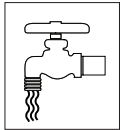
## IMPORTANT!



Read this installation manual completely to ensure proper installation, then file it with the owner or maintenance department. Compliance and conformity to drain requirements and other local codes and ordinances is the responsibility of the installer.



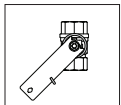
Separate parts from packaging and make sure all parts are accounted for before discarding any packaging material.



Flush the water supply lines before beginning installation and after installation is complete. Test the unit for leaks and adequate water flow. Main water supply to the eyewash should be "ON" at all times. Provisions shall be made to prevent unauthorized shutoff.



The ANSI Z358.1 standard requires an uninterrupted supply of flushing fluid. Bradley plumbed emergency fixtures require a minimum of 30 PSI (0.21 MPa) flowing pressure. Flushing fluid should be tepid per ANSI Z358.1.



Self-closing spring-loaded valves are not UL classified to ANSI Z358.1.



The inspection and testing results of this equipment should be recorded weekly to verify proper operation. This equipment should be inspected annually to ensure compliance with ANSI Z358.1.



Workers who may come in contact with potentially hazardous materials should be trained regarding the placement and proper operation of emergency equipment per ANSI Z358.1.



For questions regarding the operation or installation of this product, visit [www.bradleycorp.com](http://www.bradleycorp.com) or call 800-BRADLEY (272.3539).

Product warranties and parts information may also be found under "Products" on our web site at [bradleycorp.com](http://bradleycorp.com).

**NOTICE!** Avoid cleansers containing organic solvents, alcohols, and hydrocarbons. Rinse with water after cleaning.

### Supplies Required:

- (3) 3/8" floor anchors and bolts
- Teflon tape and pipe sealant
- Piping to 1/2" NPT water supply inlet (30–90 psi)
- Piping to 1 1/4" NPT drain outlet on unit (if included with unit)
- OPTIONAL: sign-mounting hardware



*Local codes may require the installation of a backflow prevention valve to complete proper installation. Compliance with local codes is the responsibility of the installer. Valve must be tested annually to verify that it is functioning properly. Backflow prevention valves are not included with the fixture and may be supplied by the contractor or purchased from Bradley Corporation.*

## Halo Pre-Configured Models

Halo Model Number	Description
<b>Eyewashes</b>	
<input type="checkbox"/> S19214EW*	Halo Eyewash, plastic bowl
<input type="checkbox"/> S19214B*	Halo Eyewash, stainless steel bowl
<b>Eyewashes with Dust Cover</b>	
<input type="checkbox"/> S19214PDC*	Halo Eyewash, plastic bowl w/ dust cover
<input type="checkbox"/> S19214DC*	Halo Eyewash, stainless steel bowl & hinged dust cover
<b>Eye-Face Washes</b>	
<input type="checkbox"/> S19214FW*	Halo Eye/face wash, plastic bowl
<input type="checkbox"/> S19214Y*	Halo Eye/face wash, stainless steel bowl
<input type="checkbox"/> S19214P*	Halo Eye/face wash, stainless steel bowl w/ hose spray
<input type="checkbox"/> S19214YF*	Halo Eye/face wash, stainless steel bowl, hand/foot operated
<b>Eye-Face Washes with Dust Cover</b>	
<input type="checkbox"/> S19214PDCFW*	Halo Eye/face wash, plastic bowl w/ dust cover
<input type="checkbox"/> S19214DCFW*	Halo Eye/face wash, stainless steel bowl & hinged dust cover
<b>All Stainless Steel Eye/Face Wash</b>	
<input type="checkbox"/> S19214BSS	Halo stainless steel eye/face wash and bowl
<input type="checkbox"/> S19214SC	Halo stainless steel eye/face wash, bowl and cover
<input type="checkbox"/> S19214SS	Halo stainless steel eye/face wash and bowl with foot activation

\* European models available. For European model number, add a Z to end of existing part number. For example, S19214EW will be S19214EWZ.

# Product Configuration

## Standard Selections (Must select one from each category)

### Configuration

- B** 24" Drain Height
- O** Standard, 6" Drain Height

### Pipe Material

- A** NPT, Yellow BradTect Galvanized Steel
- B** NPT, All 304 Stainless Steel
- C** NPT, All 316 Stainless Steel\*
- D** NPT, Chrome-Plated
- F** BSP, Yellow BradTect Galvanized Steel‡
- G** BSP, All 304 Stainless Steel‡
- J** BSP, Chrome-Plated‡

### Ball Valve

- 1** Stay-Open Eyewash, Chrome-Plated Brass
- 2** Stay-Open Eyewash, 316 SS

### Eyewash – Eye/Face Wash

- A** Halo Eyewash
- B** Halo Eye/Face Wash
- D** Halo Eyewash, 304 SS Yoke
- E** Halo Eye/Face Wash, 304 SS Yoke
- F** 304 SS Halo Eye/Face Wash, 304 SS Yoke
- G** Halo Eyewash, 316 SS Yoke
- H** Halo Eye/Face Wash, 316 SS Yoke
- J** 316 SS Halo Eye/Face Wash, 316 SS Yoke

### Bowl and Dust Cover

- A** Plastic Bowl, No Dust Cover
- B** Plastic Bowl, Plastic Dust Cover
- D** 304 SS, No Dust Cover
- E** 304 SS, 304 SS Dust Cover
- F** 304 SS, Plastic Dust Cover
- G** 316 SS, No Dust Cover
- H** 316 SS, 316 SS Dust Cover
- J** 316 SS, Plastic Dust Cover
- O** No Bowl or Dust Cover

### Activation

- A** 304 SS Handle
- B** 316 SS Handle
- C** 304 SS Handle with Aluminum Foot Pedal\*
- D** 304 SS Handle with Stainless Steel Foot Pedal\*
- E** 316 SS Handle with Stainless Steel Foot Pedal\*

### Drench Hose and Backflow Prevention

- A** Drench Hose Kit with Vacuum Breaker
- B** Drench Hose Kit with N9 Backflow Preventer
- C** Drench Hose Kit with 9D Backflow Preventer
- D** Drench Hose Kit without Backflow Preventer
- O** No Drench Hose and No Backflow Prevention

### Freeze and Scald Protection

- N** Anti-Freeze Valve
- P** Anti-Scald Valve
- R** Anti-Freeze and Anti-Scald Valves
- O** No Anti-Freeze Valve and No Anti-Scald Valve

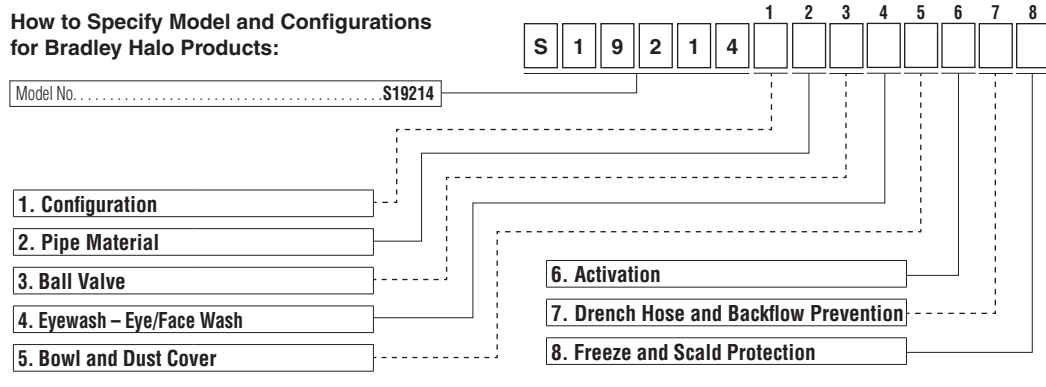
\* Not available with barrier-free configurations.

‡ Not available in the U.S.

**NPT = National Pipe Thread**

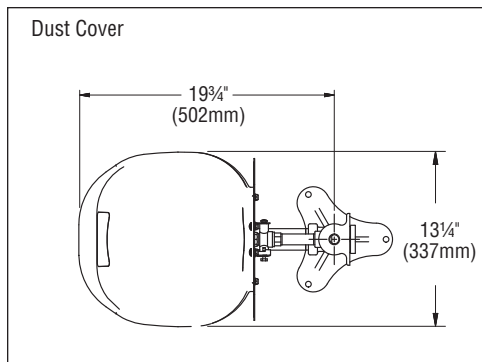
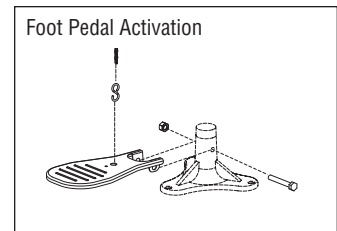
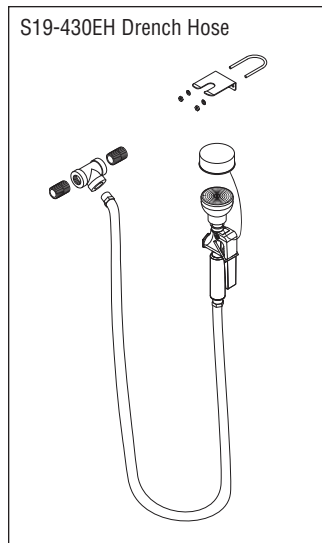
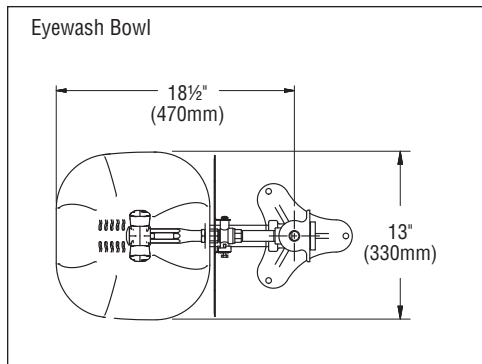
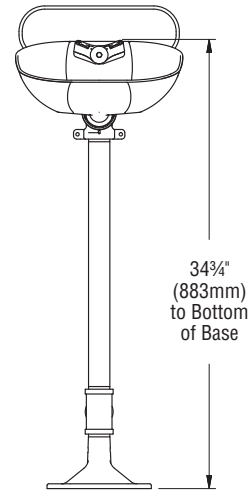
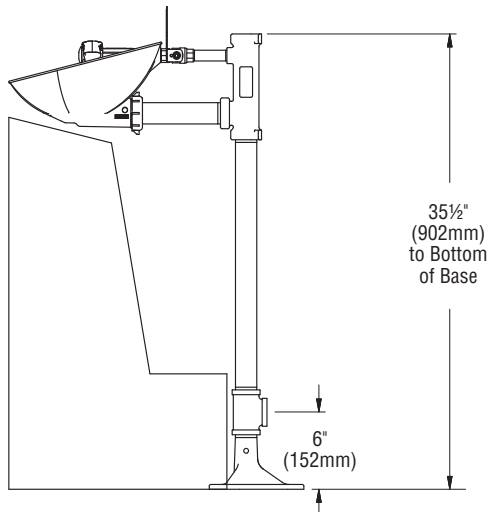
**BSP = British Standard Pipe Thread**

### How to Specify Model and Configurations for Bradley Halo Products:




# Dimensions

S19214 shown with Eyewash and Plastic Bowl



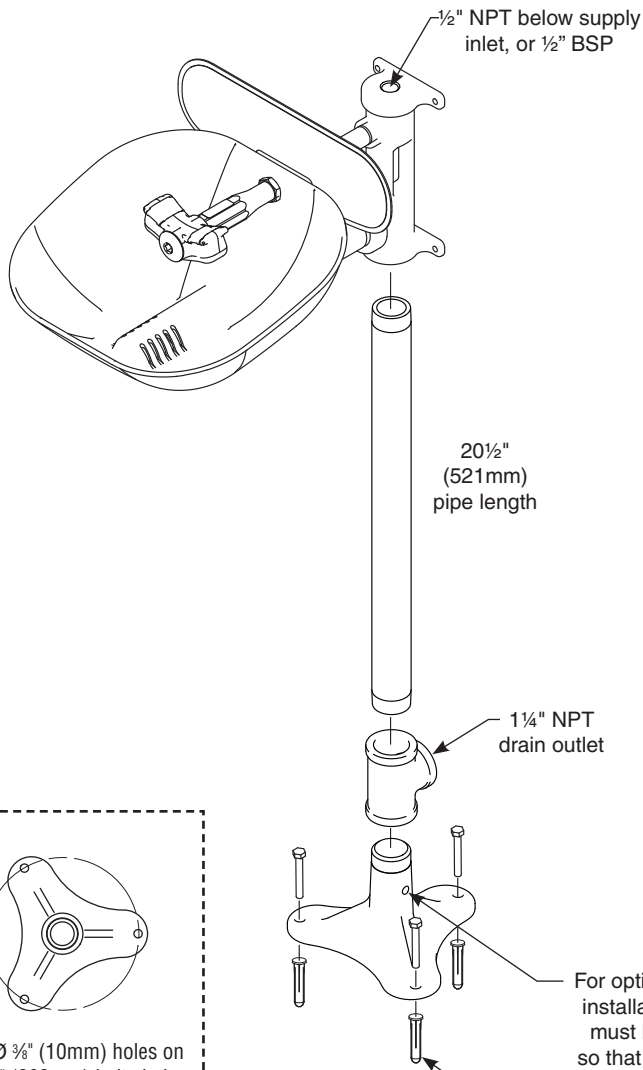
Water Flow Rate	
Eyewash	4–5¼ gpm
Eye/Face Wash	4–5¼ gpm
Body Wash	2–8 gpm

 All dimensions assume standard thread engagement. Variations in manufacturing allow for +/- 1/8" (3mm) per threaded joint. To find the tolerance of a dimension, add the number of thread joints across the length of the dimension and multiply it by 1/8" (3mm).

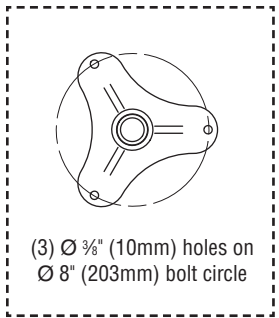
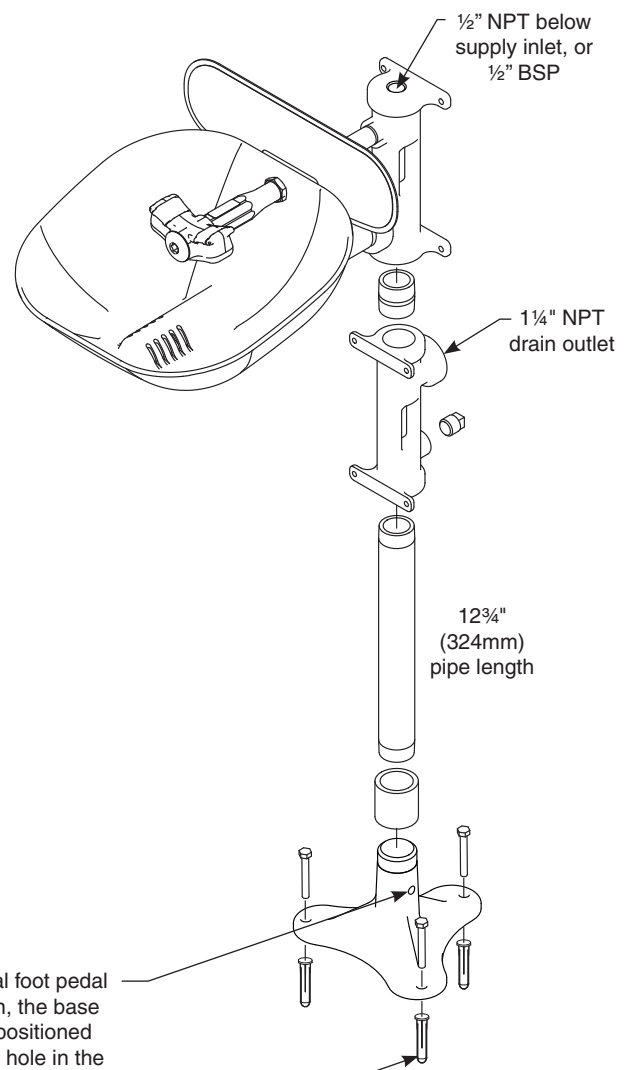
# 1 Assembly — Connect Base and Eyewash

- ✓ Standard eyewash unit is shown. Other units are similar.
- ✓ Connect components before securing the base to the floor. When connecting components, use the rubber grip pad (provided) around pipes to prevent marring.
- ✓ Apply pipe sealant (supplied by installer) to all male-threaded pipe joints, making sure not to get any excess over the edge of the pipes.
- ✓ BSP = British Standard Pipe Thread (not available in the U.S.)

Halo unit with standard drain option



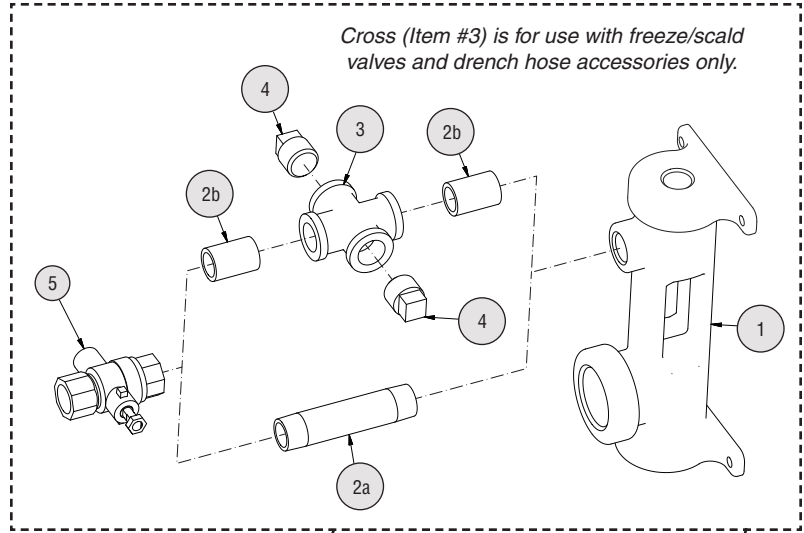
Halo unit with 24\"/>



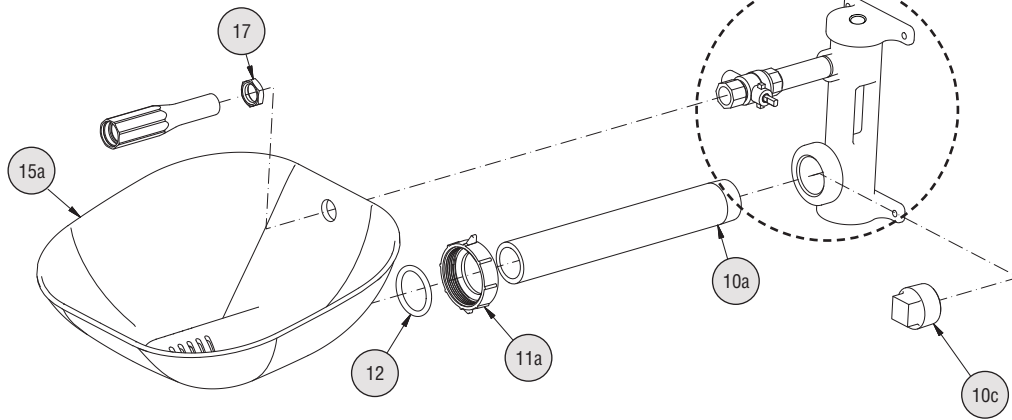
For optional foot pedal installation, the base must be positioned so that the hole in the base is perpendicular to the user.

3/8\"/>

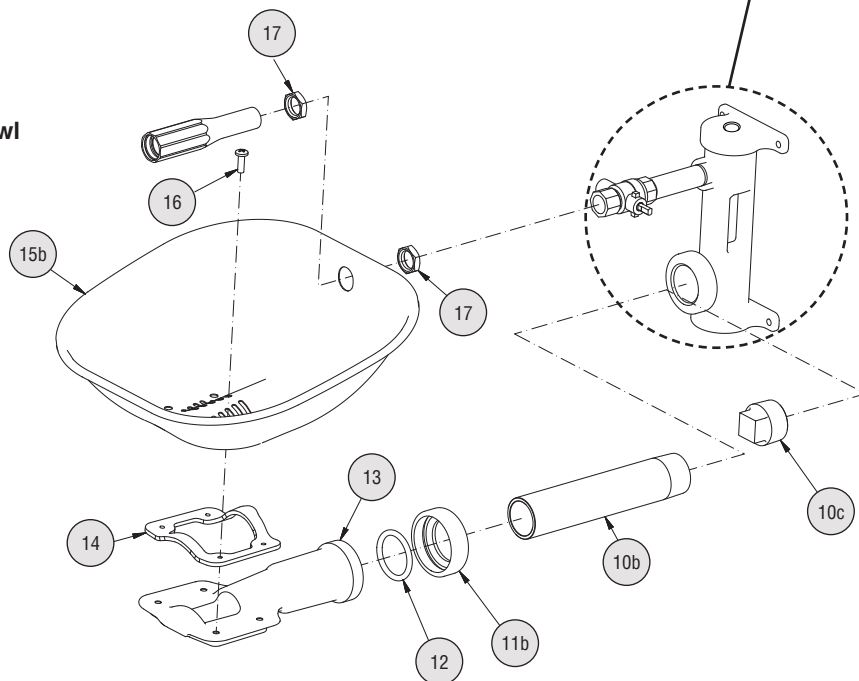
### Service Parts — Hub with Bowl



#### Hub with Plastic Bowl



#### Hub with Stainless Steel Bowl

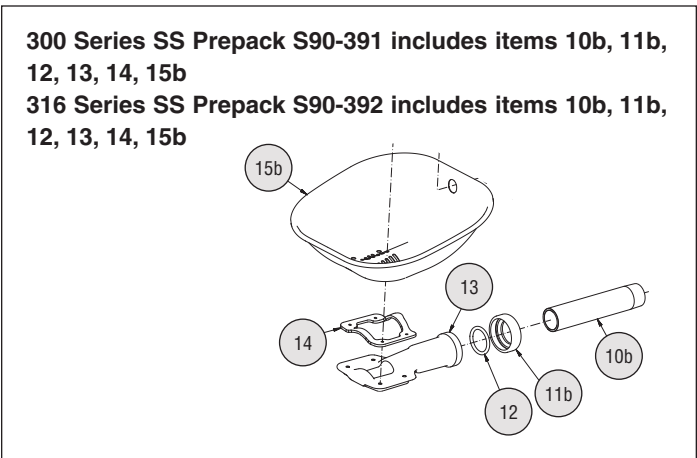
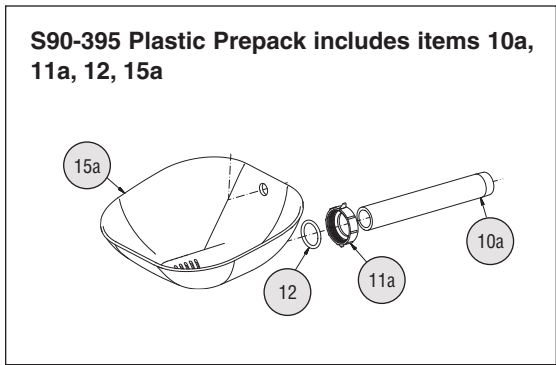




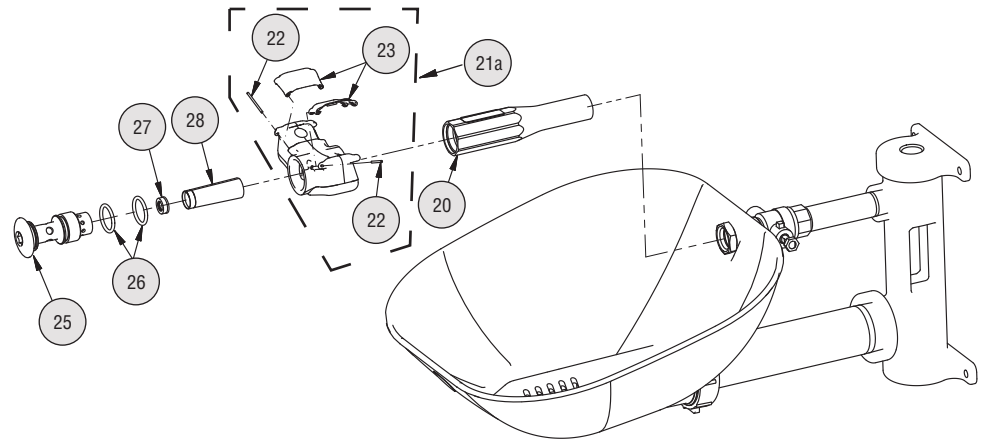
### Service Parts List — Bowl and Hub

*BSP = British Standard Pipe Thread (not available in the U.S.)*

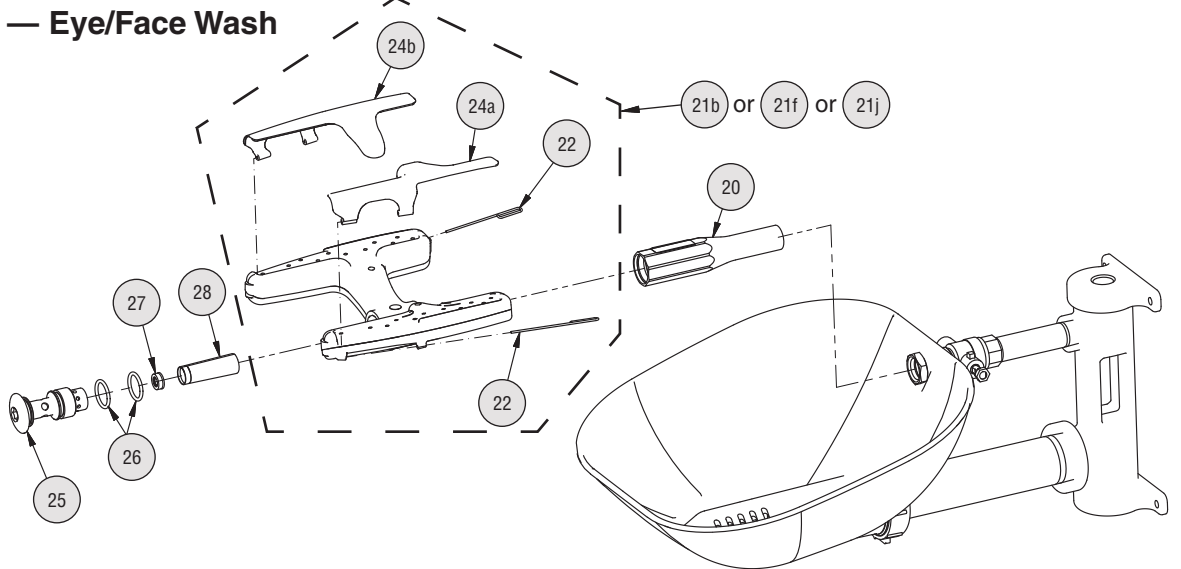
Item	Part No.	Qty	Description	Item	Part No.	Qty	Description
1	111-096	1	Hub	10a	113-1202	1	Pipe 1¼" x 11" thd. one end
1	111-096B	1	Hub, BSP	10a	113-1203	1	Pipe 1¼" x 11" thd. one end stn. steel
1	111-097	1	Hub stainless steel	10b	113-1204	1	Pipe 1¼" x 7" thd. one end
1	111-103	1	Hub stainless steel 316	10b	113-1205	1	Pipe 1¼" x 7" thd. one end stainless steel
1	111-098	1	Hub stainless steel polish	10b	113-1206	1	Pipe 1¼" x 7" thd. one end chrome
2a	113-006LQ	1	Pipe ½" x 3½"	10b	113-1212	1	Pipe 1¼" x 7" thd. one end stn. steel 316
2a	113-965	1	Pipe ½" x 3½" stainless steel	10c	169-724	1	Plug 1¼" painted galvanized
2a	113-1211	1	Pipe ½" x 3½" stainless steel 316	10c	269-251	1	Plug 1¼" chrome
2a	113-596	1	Pipe ½" x 3½" chrome	10c	269-238	1	Plug 1¼" stainless steel
2b	113-006LG	2	Pipe ½" x close	10c	269-1402	1	Plug 1¼" stainless steel 316
2b	113-867	2	Pipe ½" x close stainless steel	11a	110-239	1	Nut plastic, slip joint
2b	113-1210	2	Pipe ½" x close stainless steel 316	11b	110-240	1	Nut, stainless steel slip joint
2b	113-006aw	2	Pipe ½" x close chrome	11b	110-242	1	Nut, stainless steel 316 slip joint
3	169-1090	1	Cross ½"	12	125-176	1	O-ring
3	169-1091	1	Cross ½" stainless steel	13	111-099	1	Bowl mount aluminum
3	169-1098	1	Cross ½" stainless steel 316	13	111-100	1	Bowl mount aluminum painted
3	169-1097	1	Cross ½" chrome	13	111-101	1	Bowl mount stainless steel
4	300-0393	2	Plug ½" chrome	13	111-102	1	Bowl mount stainless steel 316
4	153-230	2	Plug ½" stainless steel	14	124-082	1	Bowl gasket
4	153-460	2	Plug ½" stainless steel 316	15a	187-320	1	Bowl plastic
5	S27-327	1	Ball valve ½" with nut	15b	S90-393	1	Bowl stainless steel (includes Item 14)
5	S27-328	1	Ball valve ½" ss 316 with nut	15b	S90-394	1	Bowl stn. steel 316 (includes Item 14)
5	S27-329	1	Ball valve ½" frost proof with nut	16	160-467	4	Screw
5	S27-330	1	Ball valve ½" ss 316 frost proof with nut	17	110-115a	as req'd.	Nut ½" NPSM chrome brass
5.1	110-215	1	Nut	17	110-238	as req'd.	Nut ½" NPSM stainless steel
5.1	110-248	1	Nut stainless steel 316	17	110-241	as req'd.	Nut ½" NPSM stainless steel 316



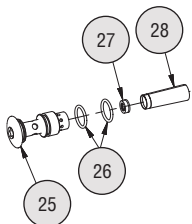
**Service Parts — Eyewash**



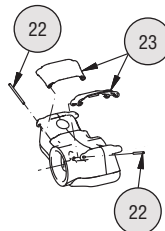
**Service Parts — Eye/Face Wash**



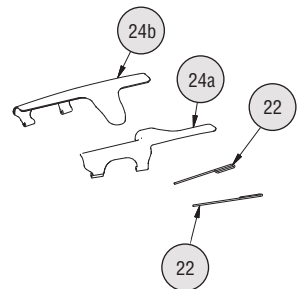
Prepack S65-339 includes items 26, 27, 28  
 Prepack S88-068 includes items 25, 26, 27, 28  
 Prepack S88-069 includes items 25, 26, 27, 28  
 (300 series ss)  
 Prepack S88-070 includes items 25, 26, 27, 28  
 (316 ss)



**Eyewash Cover Prepack S45-2675** includes items 22 and 23

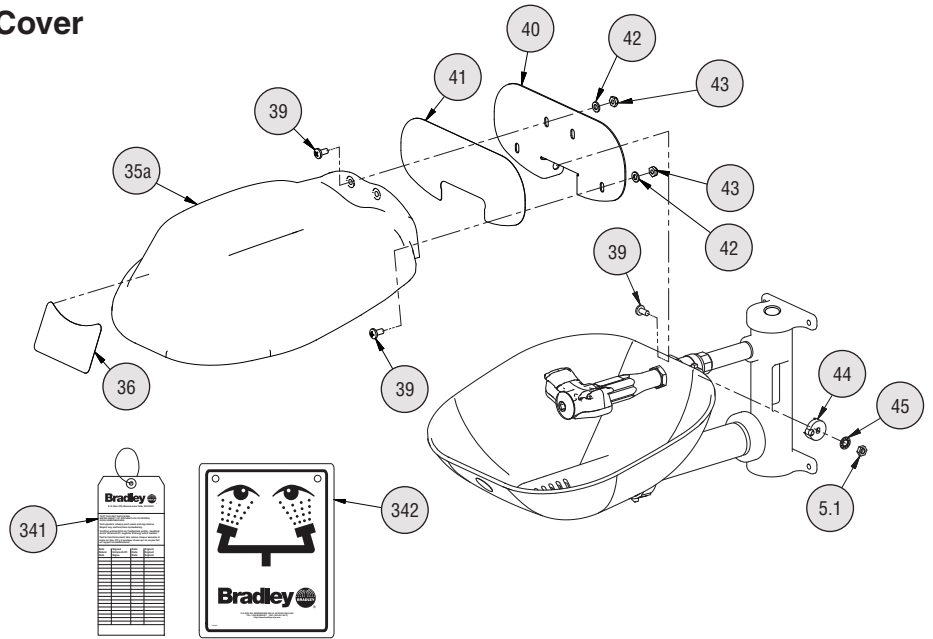
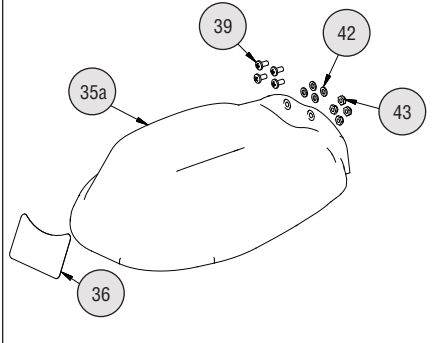


**Eye/Face Wash Cover Prepack S45-2676** includes items 22, 24a and 24b



### Service Parts — Plastic Bowl Cover

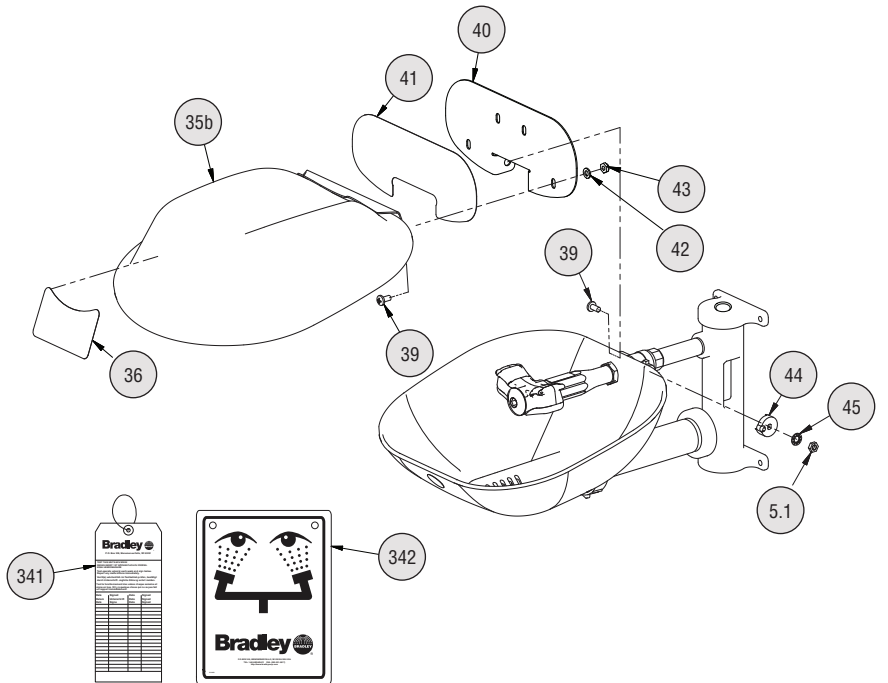
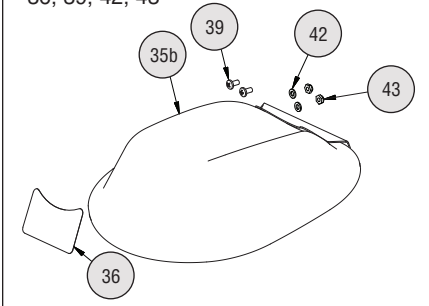
Plastic Bowl Cover Prepack S90-390 includes items 35a, 36, 39, 42, 43



### Service Parts — Stainless Steel Bowl Cover

Stainless Steel Bowl Cover Prepack S90-388 includes items 35b, 36, 39, 42, 43

Stainless Steel (316) Bowl Cover Prepack S90-389 includes items 35b, 36, 39, 42, 43



Handle Prepacks include items 39, 40, 41, 44, 45, 5, 5.1

Prepack S08-390 (for units with brass ball valve)

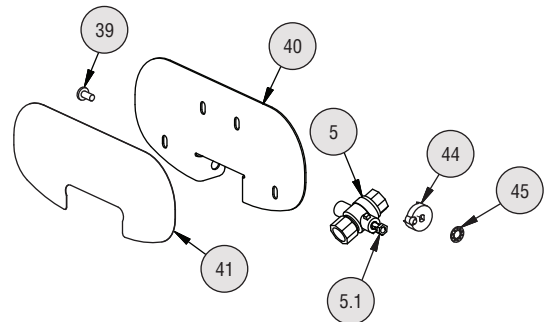
Prepack S08-391 (for units with stainless steel ball valve)

Prepack S08-392 (for units with brass frost-proof ball valve)

Prepack S08-393 (for units with stainless steel frost-proof ball valve)

Prepack S08-394 (for units with 316 stainless steel ball valve and handle)

Prepack S08-395 (for units with 316 stainless steel frost-proof ball valve and handle)



### Service Parts List — Eyewashes and Bowl Covers

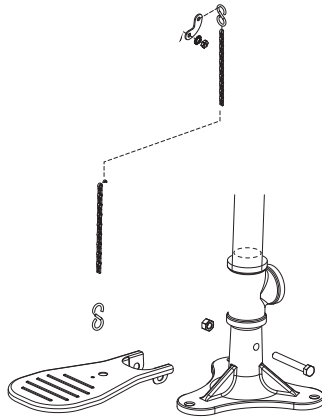
Item	Part No.	Qty	Description
20	171-001	1	Body
20	171-002	1	Body stainless steel
20	171-003	1	Body stainless steel 316
20	171-004	1	Body polished
21a	S05-190	1	Sprayhead ass'y. eyewash (includes)
22	in service kit	2	Pivot pin
23	in service kit	2	Flip cover eyewash
21b	S05-192	1	Sprayhead ass'y. eye/face wash (includes)
22	in service kit	2	Pivot pin
24a	in service kit	1	Flip cover right
24b	in service kit	1	Flip cover left
21f	S05-204	1	Sprayhead stainless steel 304 ass'y. eye/face (includes)
22	in service kit	2	Pivot pin
24a	in service kit	1	Flip cover right
24b	in service kit	1	Flip cover left
21j	S05-205	1	Sprayhead stainless steel 316 ass'y. eye/face (includes)
22	in service kit	2	Pivot pin
24a	in service kit	1	Flip cover right
24b	in service kit	1	Flip cover left
25	115-158	1	Cap
25	115-159	1	Cap stainless steel
25	115-164	1	Cap stainless steel 316
25	115-165	1	Cap polished

Item	Part No.	Qty	Description
26	125-157	2	O-ring
27	125-175	1	Flow control
28	S65-340	1	Screen (incl. 3 per pack)
35a	in service kit	1	Bowl cover plastic
35b	in service kit	1	Bowl cover stainless steel
35b	in service kit	1	Bowl cover stainless steel 316
36	114-097	1	Bowl cover decal
39	160-389	as req'd.	Screw ¼-20 x ½" stn. steel
39	160-469	as req'd.	Screw ¼-20 x ½" stn. steel 316
40	S08-385	1	Handle ss (incl. items 41, 44, 45, 5.1)
40	S08-388	1	Handle ss 316 (incl. items 41, 44, 45, 5.1)
41	114-096	1	Decal
42	142-002AV	as req'd.	Bowl cover washer
43	161-060	as req'd.	Nut stainless steel
43	161-062	as req'd.	Nut stainless steel 316
44	153-372R	1	Adapter ball valve
44	153-372R316	1	Adapter ball valve stainless steel 316
45	142-002DA	1	Lockwasher
341	204-421	1	Emergency Inspection Tag
342	114-051	1	Eyewash Safety Sign
342	114-051E	1	Eyewash Safety Sign (not available in the U.S.)

### Service Parts and Parts List — Base and Drain

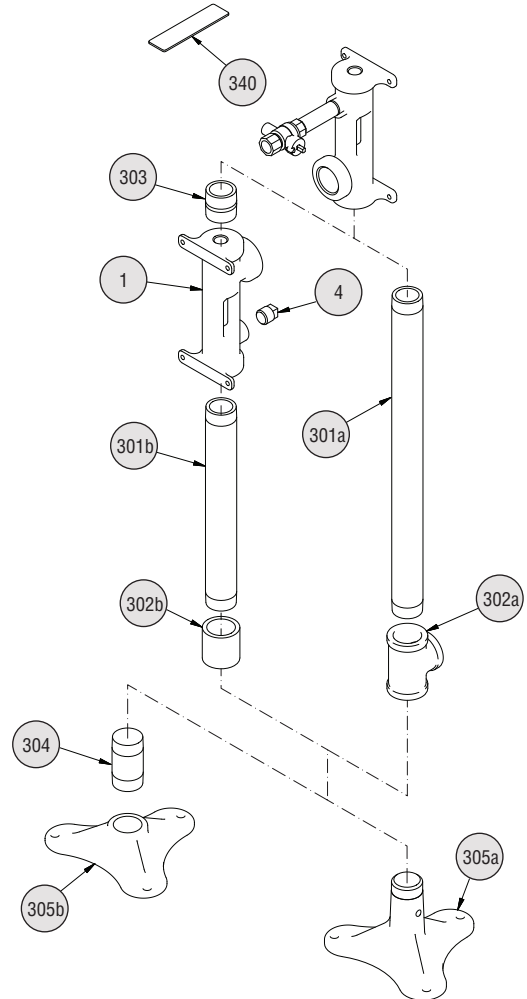
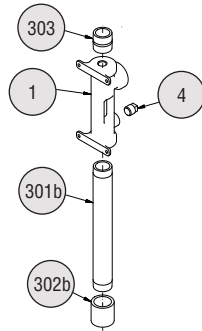
**Foot Pedal kits**

- S45-572 (standard foot pedal kit)
- S45-1314SS (stainless steel foot pedal kit)
- S45-1314SS16 (316 stainless steel foot pedal kit)



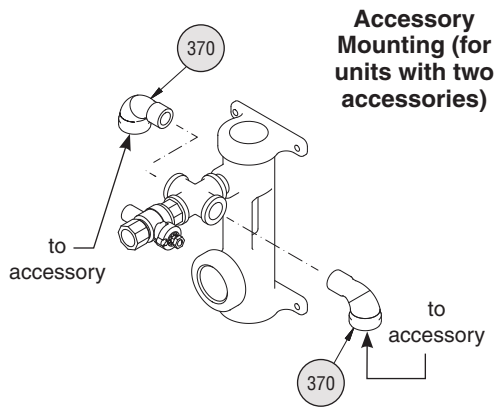
**Base and Drain Kits for 24" Drains include items 1, 4, 301b, 302b, 303**

- S29-098 (standard)
- S29-099 (stainless steel)
- S29-100 (316 stainless steel)
- S29-101 (chrome)

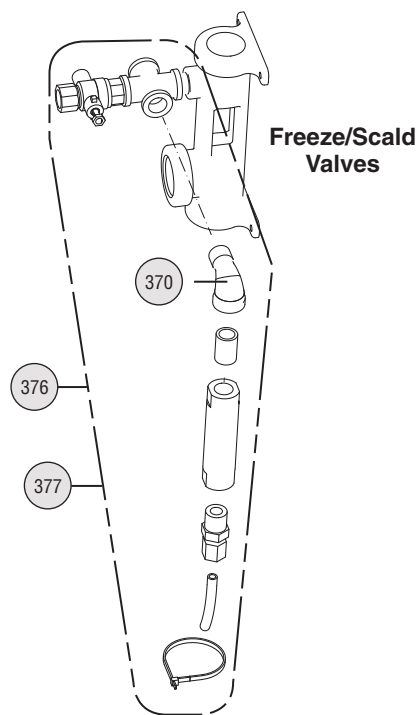
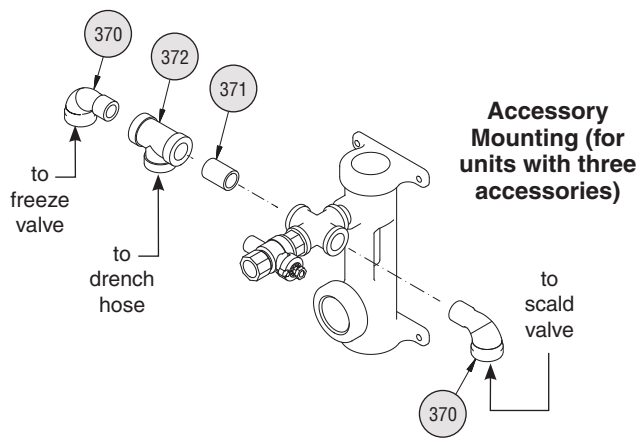


Item	Part No.	Qty.	Description	Item	Part No.	Qty.	Description
1	111-092	1	Hub	302a	269-237	1	Tee 1¼" stainless steel
1	111-093	1	Hub stainless steel	302a	269-1398	1	Tee 1¼" stainless steel 316
1	111-095	1	Hub stainless steel 316	302a	269-253	1	Tee 1¼" chrome
1	111-094	1	Hub stainless steel polish	302b	169-853	1	Coupling 1¼" galvanized
4	300-0393	2	Plug ½" chrome	302b	269-257	1	Coupling 1¼" chrome
4	153-230	2	Plug ½" stainless steel	302b	269-1048	1	Coupling 1¼" stainless steel
4	153-460	2	Plug ½" stainless steel 316	302b	269-2016	1	Coupling 1¼" stainless steel 316
301a	113-1197	1	Pipe 1¼" x 20½"	303	113-006NA	1	Pipe 1¼" x close painted galvanized
301a	113-1198	1	Pipe 1¼" x 20½" chrome	303	113-865	1	Pipe 1¼" x close stainless steel
301a	113-541	1	Pipe 1¼" x 20½" stainless steel	303	113-1223	1	Pipe 1¼" x close stainless steel 316
301a	113-1213	1	Pipe 1¼" x 20½" stainless steel 316	304	S06-189	1	Plug chrome solid
301b	113-1217	1	Pipe 1¼" x 12¾"	305a	131-059	1	Base painted
301b	113-1218	1	Pipe 1¼" x 12¾" chrome	305a	131-062	1	Base stainless steel
301b	113-1219	1	Pipe 1¼" x 12¾" stainless steel	305a	131-079	1	Base stainless steel 316
301b	113-1220	1	Pipe 1¼" x 12¾" stainless steel 316	305b	131-044	1	Base chrome
302a	169-727	1	Tee 1¼" painted galvanized	340	269-915	1	Rubber Grip Pad

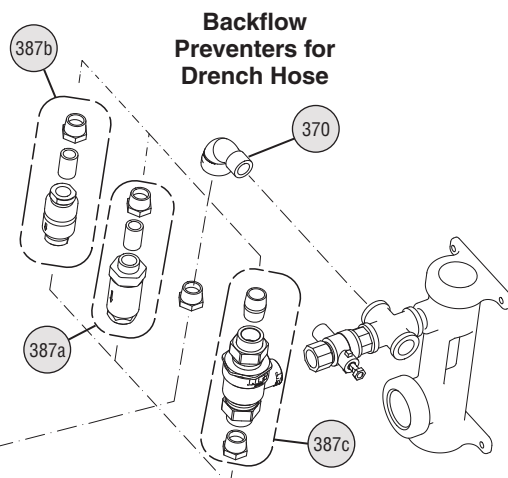
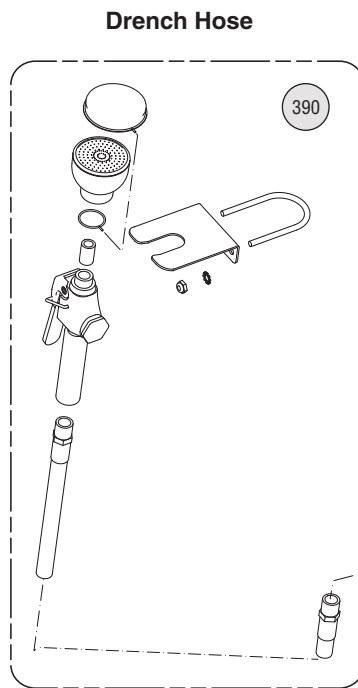
### Service Parts and Parts List — Optional Accessories



Item	Part No.	Qty.	Description
370	169-025	as req'd.	Elbow 1/2"
370	269-241	as req'd.	Elbow 1/2" stainless steel
370	269-1396	as req'd.	Elbow 1/2" stainless steel 316
370	169-862	as req'd.	Elbow 1/2" chrome
371	113-006LG	1	Pipe 1/2" x close
371	113-867	1	Pipe 1/2" x close stainless steel
371	113-1210	1	Pipe 1/2" x close stainless steel 316
371	113-006AW	1	Pipe 1/2" x close chrome
372	169-838	1	Tee 1/2"
372	169-1100	1	Tee 1/2" stainless steel
372	269-280	1	Tee 1/2" chrome
372	169-1099	1	Tee 1/2" stainless steel 316

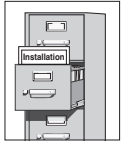


Item	Part No.	Description
376	S45-1986	Freeze Valve kit
377	S45-1989	Scald Valve kit



Item	Part No.	Qty.	Description
387a	S27-303	1	Vacuum breaker in-line 3/8"
387b	S45-2309	1	Backflow preventer N9
387c	S45-2310	1	Backflow preventer 9D
390	S19-430EH	1	Spray Kit

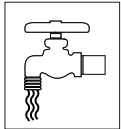
## IMPORTANT !



Lire ce manuel d'installation dans son intégralité pour garantir une installation appropriée. Une fois celle-ci terminée, classer ce manuel auprès du service à la clientèle ou d'entretien. L'installateur est responsable de la conformité de l'installation aux codes pour des drain et codes et règlements en vigueur.



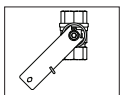
Assurez-vous que toutes les pièces sont incluses dans l'emballage et qu'il n'en manque aucune avant de jeter l'emballage. Ne commencez pas l'assemblage avant de recevoir les pièces manquantes.



Rincez la conduite d'alimentation avant et après l'installation. Assurez-vous que le débit d'eau est adéquat et qu'il n'y a pas de fuites. L'alimentation principale en eau doit être toujours OUVERTE. On devra prévoir des dispositions pour empêcher tout arrêt non autorisé.



La norme ANSI Z358.1 prévoit une alimentation ininterrompue du liquide de rinçage. Les appareils d'urgence Bradley raccordés au réseau nécessitent une pression d'écoulement d'au moins 30 PSI (0,21 MPa). Selon ANSI Z358.1, le liquide de rinçage doit être tiède.



Les soupapes à ressort à fermeture automatique ne sont pas classifiées UL selon ANSI Z358.1.



Inspectez et testez cet équipement une fois par semaine pour en assurer le bon fonctionnement. Notez les dates d'inspection. Ce matériel doit être inspecté une fois par an pour assurer sa conformité à la norme ANSI Z358.1.



Les ouvriers susceptibles d'entrer en contact avec des matières potentiellement dangereuses doivent recevoir une formation sur la mise en place et le bon fonctionnement du matériel d'urgence conformément à la norme ANSI Z358.1.



Pour toute question concernant le fonctionnement ou l'installation de ce produit, consulter le site [www.bradleycorp.com](http://www.bradleycorp.com) ou appeler le 1-800-BRADLEY.

Les garanties de produits figurent sous la rubrique « Informations techniques » sur notre site Internet à [www.bradleycorp.com](http://www.bradleycorp.com).

**AVIS ! Éviter les nettoyants qui contiennent des solvants organiques, de l'alcool et de l'hydrocarbure. Rincer avec de l'eau après le nettoyage.**

### Equipements nécessaires :

- (3) ancrages au sol et boulons de 3/8"
- Produit d'étanchéité pour tuyaux
- Tuyau d'alimentation pour branchement au raccord NPT de 1 1/4" d'arrivée (30–90 psi)
- Tuyau de vidange de 1 1/4" NPT (s'il est incluse avec l'unité)
- Quincaillerie pour l'installation de l'enseigne (en option)



Les codes locaux peuvent exiger l'installation d'une soupape de prévention d'écoulement de retour pour réaliser une installation appropriée. L'installateur est responsable de la conformité aux codes locaux. La soupape doit être testée une fois par an pour vérifier qu'elle fonctionne correctement. Les soupapes de prévention d'écoulement de retour ne sont pas fournies avec l'appareil et peuvent être fournies par l'entrepreneur ou achetées auprès de Bradley Corporation..

## Modèles préconfigurés Halo

Numéro de modèle de Halo	Description
<b>Douche oculaire</b>	
<input type="checkbox"/> S19214EW*	Douche oculaire Halo, récepteur plastique
<input type="checkbox"/> S19214B*	Douche oculaire Halo, récepteur acier inox
<b>Douche oculaire avec couvercle anti-poussières</b>	
<input type="checkbox"/> S19214PDC*	Douche oculaire Halo, récepteur plastique avec couvercle anti-poussières
<input type="checkbox"/> S19214DC*	Douche oculaire Halo, récepteur acier inox et cache-poussière à charnières
<b>Douche oculaire/ faciale</b>	
<input type="checkbox"/> S19214FW*	Douche oculaire/ faciale Halo, récepteur plastique
<input type="checkbox"/> S19214Y*	Douche oculaire/ faciale Halo, récepteur acier inox
<input type="checkbox"/> S19214P*	Douche oculaire/ faciale Halo, récepteur acier inox avec tuyau de lavage
<input type="checkbox"/> S19214YF*	Douche oculaire/ faciale Halo, récepteur acier inox, hand/foot operated
<b>Douche oculaire/ faciale avec couvercle anti-poussières</b>	
<input type="checkbox"/> S19214PDCFW*	Douche oculaire/ faciale Halo, récepteur plastique avec couvercle anti-poussières
<input type="checkbox"/> S19214DCFW*	Douche oculaire/ faciale Halo, récepteur acier inox et cache-poussière à charnières
<b>Douche oculaire- faciale tout inox</b>	
<input type="checkbox"/> S19214BSS	Douche oculaire/ faciale en acier inoxydable Halo et récepteur
<input type="checkbox"/> S19214SC	Douche oculaire/ faciale en acier inoxydable Halo, récepteur et couvercle
<input type="checkbox"/> S19214SS	Douche oculaire/ faciale en acier inoxydable Halo et récepteur avec activation au pied

\* Modèles européens disponibles. Pour le numéro de modèle européen, ajouter un Z à la fin du numéro existant. Par exemple, S19214EW devient S19214EWZ.



# Configuration du produit

## Sélections standard (devez sélectionner un de chaque catégorie)

### Configuration

- B** Hauteur de vidange 24"
- 0** Hauteur de vidange standard 6"

### Tuyau

- A** Acier inox NPT galvanisé avec jaune BradTect®
- B** Acier inox 304 NPT
- C** Acier inox 316 NPT\*
- D** Laiton chromé NPT
- F** BSP, Acier inox galvanisé avec jaune BradTect® ‡
- G** BSP, Acier inox 304 ‡
- J** BSP, Laiton chromé ‡

### Robinet

- 1** Restant ouvert (douche oculaire), laiton chromé
- 2** Restant ouvert (douche oculaire), 316 SS

### Douche oculaire – faciale

- A** Douche oculaire Halo
- B** Douche oculaire/faciale Halo
- D** Douche oculaire Halo, guidon acier inox 304
- E** Douche oculaire/faciale Halo, guidon acier inox 304
- F** Douche oculaire/faciale inox 304 Halo, guidon acier inox 304
- G** Douche oculaire Halo, guidon acier inox 316
- H** Douche oculaire/faciale Halo, guidon acier inox 316
- J** Douche oculaire/faciale inox 316 Halo, guidon acier inox 316

### Récepteur avec couvercle anti-poussières

- A** Récepteur plastique, sans couvercle anti-poussières
- B** Récepteur plastique, couvercle anti-poussières plastique
- D** Récepteur acier inox 304, sans couvercle anti-poussières
- E** Récepteur acier inox 304, couvercle anti-poussières acier inox 304
- F** Récepteur acier inox 304, couvercle anti-poussières plastique
- G** Récepteur acier inox 316, sans couvercle anti-poussières
- H** Récepteur acier inox 316, couvercle anti-poussières acier inox 316
- J** Récepteur acier inox 316, couvercle anti-poussières plastique
- 0** Pas de récepteur, pas de couvercle anti-poussières

### Activation

- A** Manette acier inox 304
- B** Manette acier inox 316
- C** Manette acier inox 304 avec pédale d'aluminium\*
- D** Manette acier inox 304 avec pédale acier inox\*
- E** Manette acier inox 316 avec pédale acier inox 316\*

### Gicleur et Prévention d'écoulement de retour

- A** Gicleur avec dispositif la prévention des casse-vide
- B** Gicleur avec dispositif de prévention d'écoulement de retour N9
- C** Gicleur avec dispositif de prévention d'écoulement de retour 9D
- D** Gicleur sans prévention d'écoulement de retour
- 0** Pas de gicleur, pas de prévention d'écoulement de retour

### Vanne antigel et vanne anti-échaudage

- N** Vanne antigel
- P** Vanne anti-échaudage
- R** Vanne antigel et vanne anti-échaudage
- 0** Pas de vanne antigel, pas de vanne anti-échaudage

\* Non disponible avec configurations sans barrière.

‡ Non disponible aux États-Unis

**NPT = National Pipe Thread**

**BSP = filetage British Standard Pipe**

### Comment spécifier le modèle et les spécifications des produits Bradley :

Modèle.....S19214



1. Configuration

2. Tuyau

3. Robinet

4. Douche oculaire – faciale

5. Récepteur avec couvercle anti-poussières

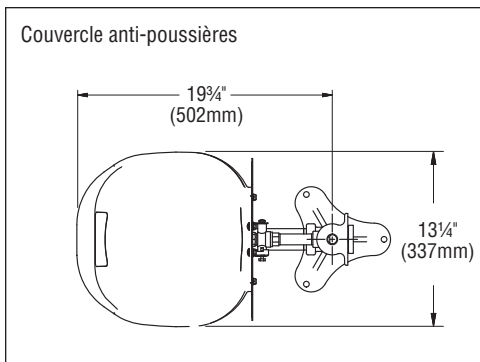
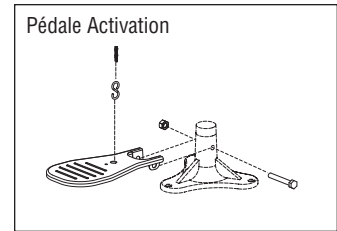
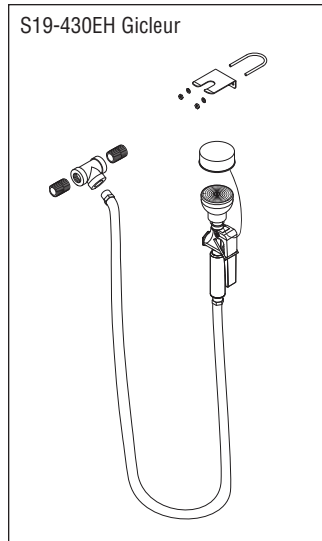
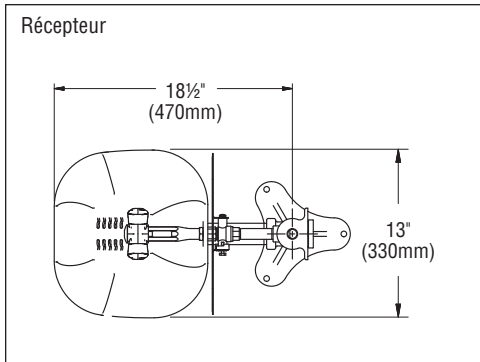
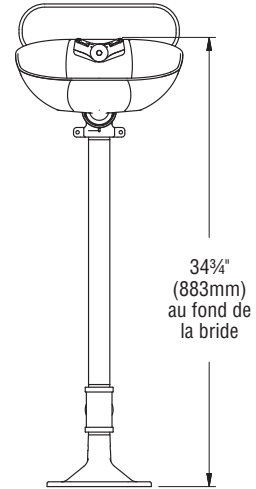
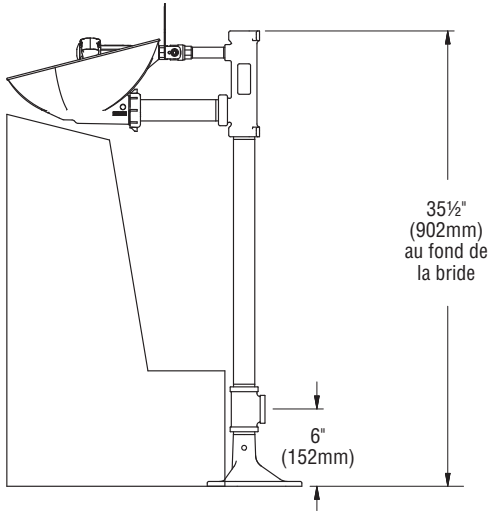
6. Activation

7. Gicleur et Prévention d'écoulement de retour

8. Vanne antigel et vanne anti-échaudage

# Dimensions

S19214 montré avec récepteur en plastique



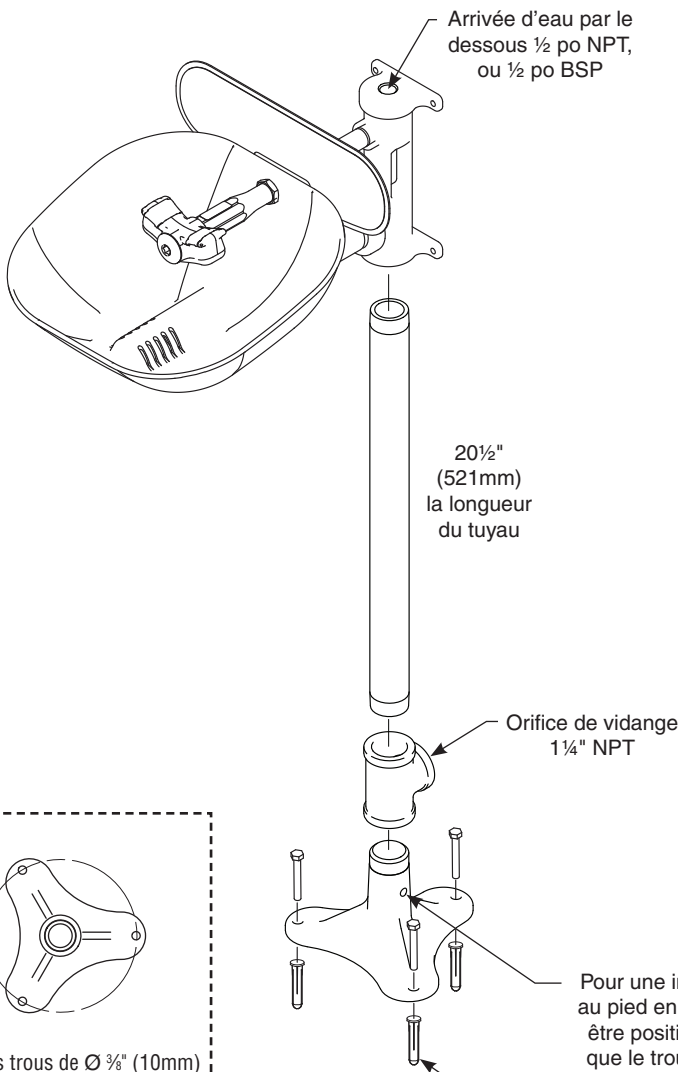
Débit d'eau	
Douche oculaire	4-5 1/4 gpm
Douche oculaire/faciale	4-5 1/4 gpm
Douche pour le corps	2-8 gpm

 **Toutes les dimensions supposent un engagement de filetage standard. Les variations de fabrication prévoient +/- 3,1 mm (1/8") par joint fileté. Pour trouver la tolérance d'une dimension, ajouter le nombre de joints filetés entre une dimension et le multiplier par 3,1 mm (1/8").**

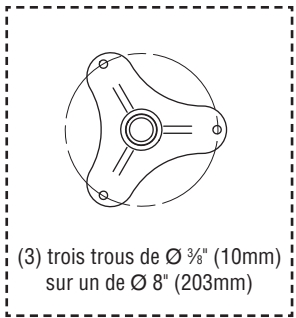
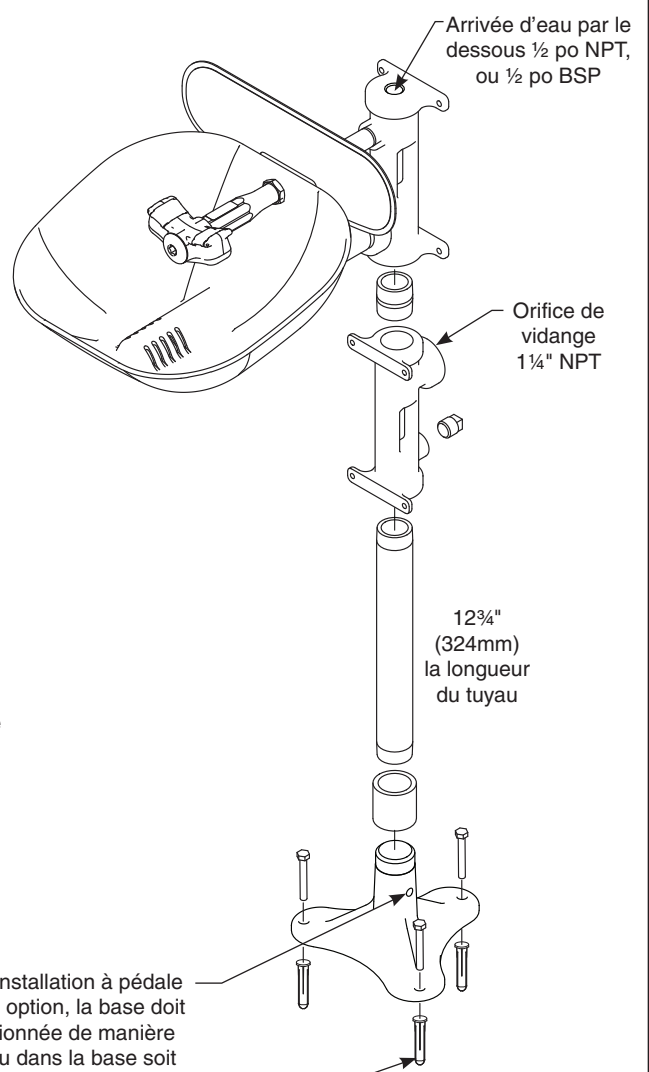
# 1 Assemblage — Bride et douche oculaire

- ✓ Douche oculaire standard illustrée. Les autres unités sont similaires.
- ✓ Connectez les composants avant de fixer la base au sol. Utilisez des tampons autour des tuyaux pour ne pas les endommager lors du serrage.
- ✓ Mettez du produit d'étanchéité (non fourni) sur tous les filetages mâles. Ne laissez pas le produit d'étanchéité à déborder sur le bord des tuyaux.
- ✓ BSP = filetage British Standard Pipe (Non disponible aux États-Unis)

Unité de Halo avec l'option de vidange standard



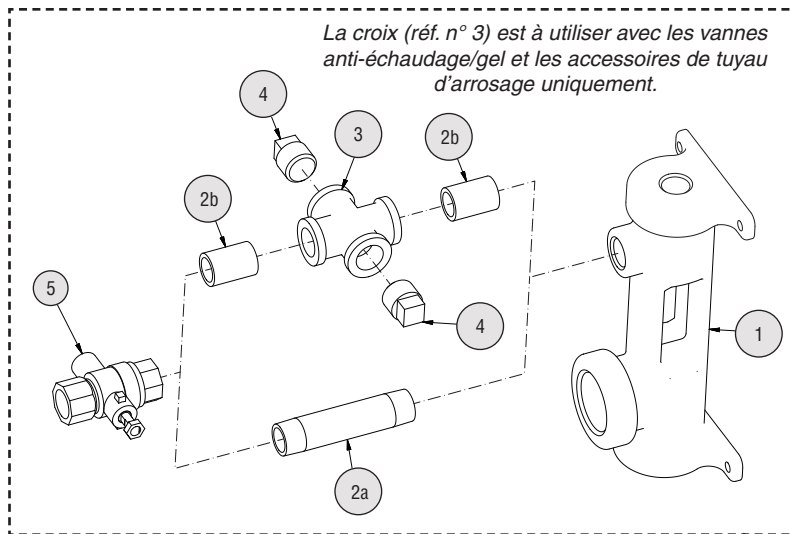
Unité de Halo avec l'option de vidange de 24"



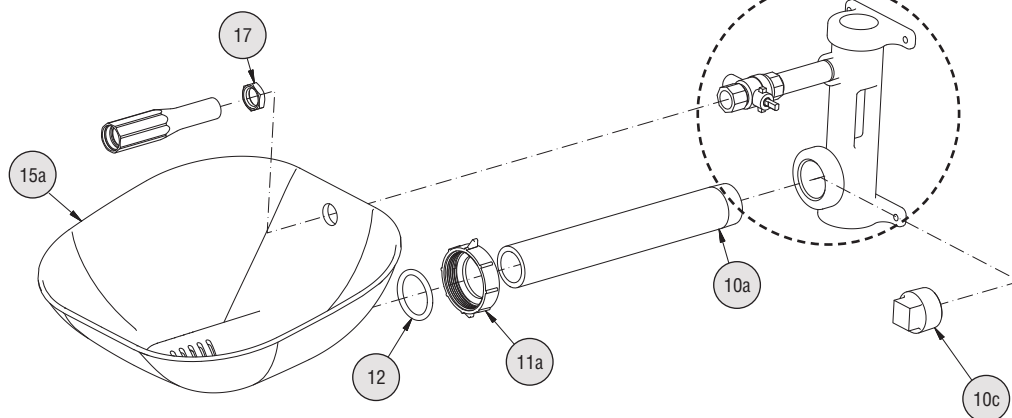
Pour une installation à pédale au pied en option, la base doit être positionnée de manière que le trou dans la base soit perpendiculaire à l'utilisateur.

Vissez la bride dans les ancrages à l'aide des vis de 3/8" (non fournies).

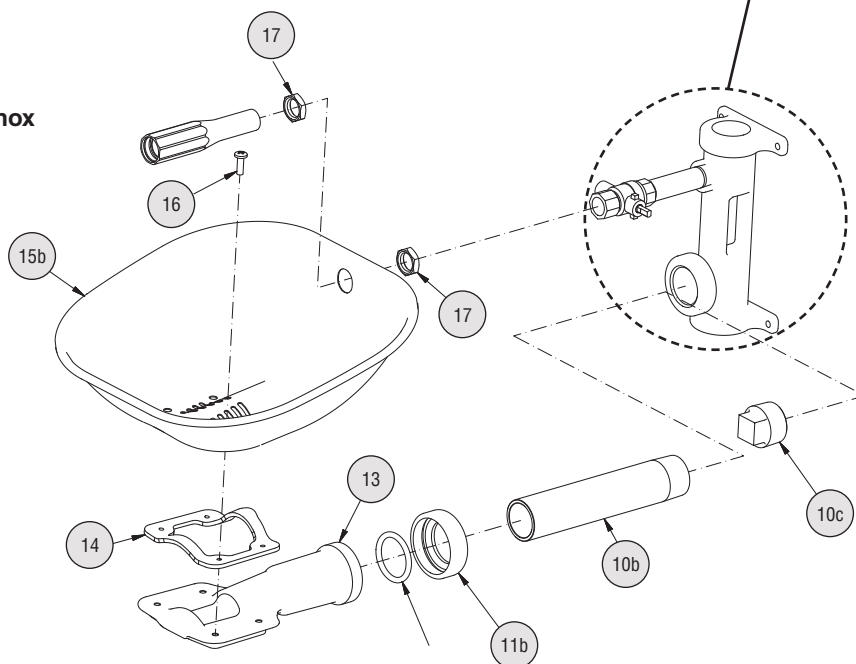
**Pièces de remplacement — Récepteur et moyeu**



**Moyeu avec récepteur en plastique**



**Moyeu avec récepteur en acier inox**

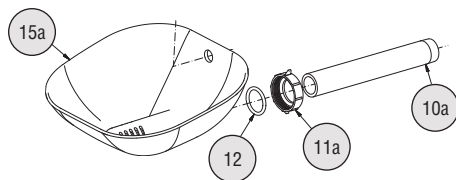


## Liste des pièces — Récepteur et moyeu

**BSP = filetage British Standard Pipe (Non disponible aux États-Unis)**

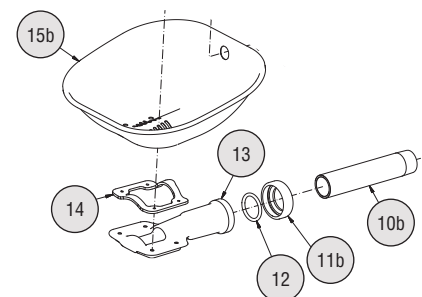
Pièce	Réf.	Qté.	Description	Pièce	Réf.	Qté.	Description
1	111-096	1	Moyeu	10a	113-1202	1	Tuyau 1¼" x 11" extrémité filetée
1	111-096B	1	Moyeu, BSP	10a	113-1203	1	Tuyau 1¼" x 11" acier inox extrémité filetée
1	111-097	1	Moyeu acier inox	10b	113-1204	1	Tuyau 1¼" x 7" extrémité filetée
1	111-103	1	Moyeu acier inox 316	10b	113-1205	1	Tuyau 1¼" x 7" acier inox extrémité filetée
1	111-098	1	Moyeu acier inox poli	10b	113-1206	1	Tuyau 1¼" x 7" chromé extrémité filetée
2a	113-006LQ	1	Tuyau ½" x 3½"	10b	113-1212	1	Tuyau 1¼" x 7" acier inox 316 extrémité filetée
2a	113-965	1	Tuyau ½" x 3½" acier inox	10c	169-724	1	Bouchon 1¼" peint galvanisé
2a	113-1211	1	Tuyau ½" x 3½" acier inox 316	10c	269-251	1	Bouchon 1¼" chromé
2a	113-596	1	Tuyau ½" x 3½" chromé	10c	269-238	1	Bouchon 1¼" acier inox
2b	113-006LG	2	Tuyau ½" x ferme	10c	269-1402	1	Bouchon 1¼" acier inox 316
2b	113-867	2	Tuyau ½" x ferme en acier inox	11a	110-239	1	Écrou, plastique
2b	113-1210	2	Tuyau ½" x ferme en acier inox 316	11b	110-240	1	Écrou, acier inox
2b	113-006AW	2	Tuyau ½" x ferme chromé	11b	110-242	1	Écrou, acier inox 316
3	169-1090	1	Croix ½"	12	125-176	1	Bague
3	169-1091	1	Croix ½" acier inox	13	111-099	1	Support récepteur aluminium
3	169-1098	1	Croix ½" acier inox 316	13	111-100	1	Support récepteur peint aluminium
3	169-1097	1	Croix ½" chromé	13	111-101	1	Support récepteur acier inox
4	300-0393	2	Bouchon ½" chromé	13	111-102	1	Support récepteur acier inox 316
4	153-230	2	Bouchon ½" acier inox	14	124-082	1	Joint d'étanchéité
4	153-460	2	Bouchon ½" acier inox 316	15a	187-320	1	Récepteur plastique
5	S27-327	1	Robinet ½" avec écrou	15b	S90-393	1	Récepteur acier inox (incl. le élément 14)
5	S27-328	1	Robinet ½" acier inox 316 avec écrou	15b	S90-394	1	Récepteur acier inox 316 (incl. le élément 14)
5	S27-329	1	Vanne antigel ½" avec écrou	16	160-467	4	Vis
5	S27-330	1	Vanne antigel ½" acier inox 316 avec écrou	17	110-115a		Écrou ½" NPSM laiton chromé (qté. au besoin)
5.1	110-215	1	Écrou	17	110-238		Écrou ½" NPSM acier inox (qté. au besoin)
5.1	110-248	1	Écrou acier inox 316	17	110-241		Écrou ½" NPSM acier inox 316 (qté. au besoin)

Paquet récepteur plastique S90-395 comprend les éléments 10a, 11a, 12, 15a

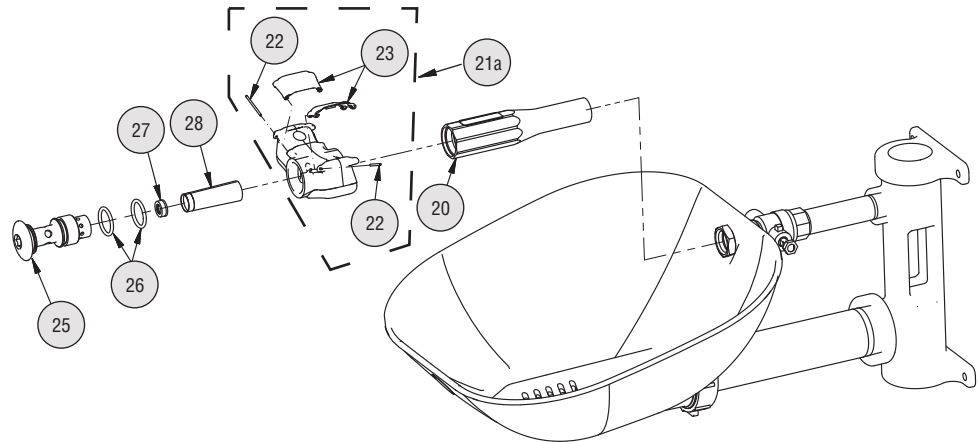


Paquet récepteur acier inox 300 Serie S90-391 comprend les éléments 10b, 11b, 12, 13, 14, 15b

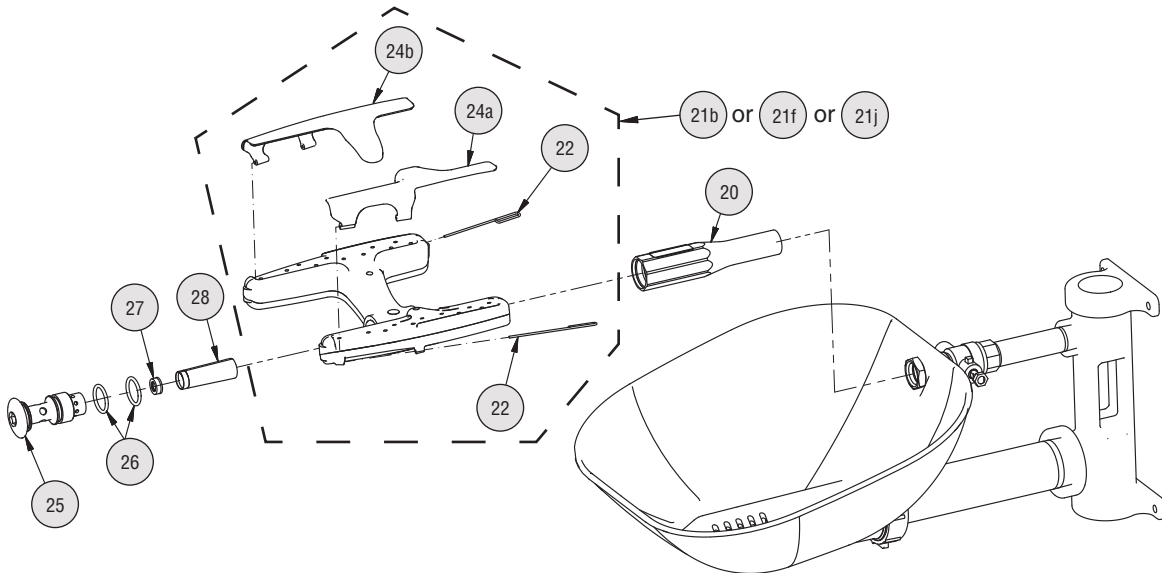
Paquet récepteur acier inox 316 Serie S90-392 comprend les éléments 10b, 11b, 12, 13, 14, 15b



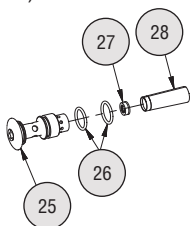
**Pièces de remplacement — Douche oculaire**



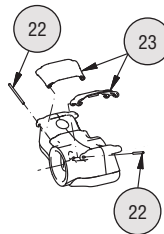
**Pièces de remplacement — Douche oculaire/ faciale**



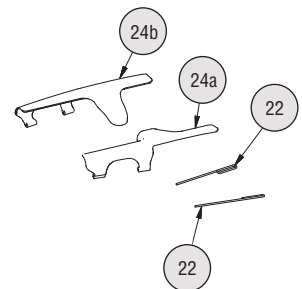
Paquet S65-339 comprend les éléments 26, 27, 28  
 Paquet S88-068 comprend les éléments 25, 26, 27, 28  
 Paquet S88-069 comprend les éléments 25, 26, 27, 28  
 (acier inox 300 serie)  
 Paquet S88-070 comprend les éléments 25, 26, 27, 28  
 (acier inox 316)



Paquet couvertures à bascule (douche oculaire)  
 S45-2675 comprend les éléments 22 et 23

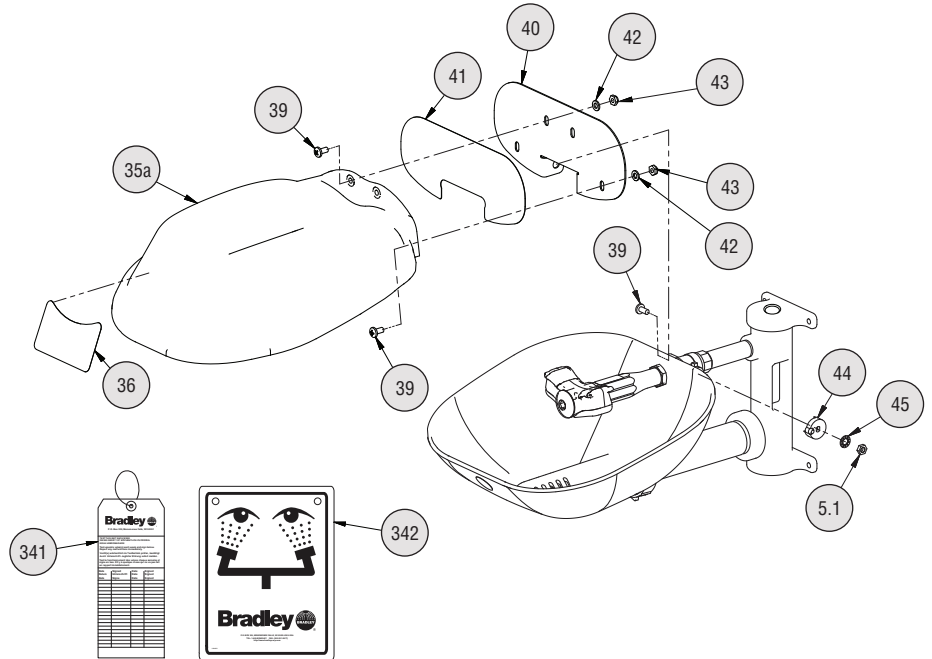
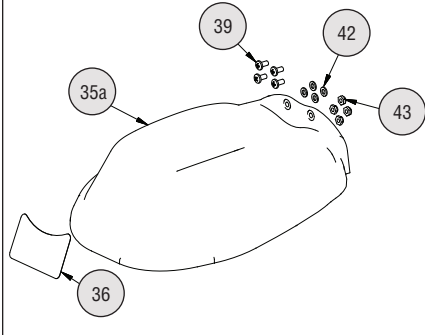


Paquet couvertures à bascule (douche oculaire/ faciale)  
 S45-2676 comprend les éléments 22, 24a et 24b



**Pièces de remplacement — Couvercle plastique**

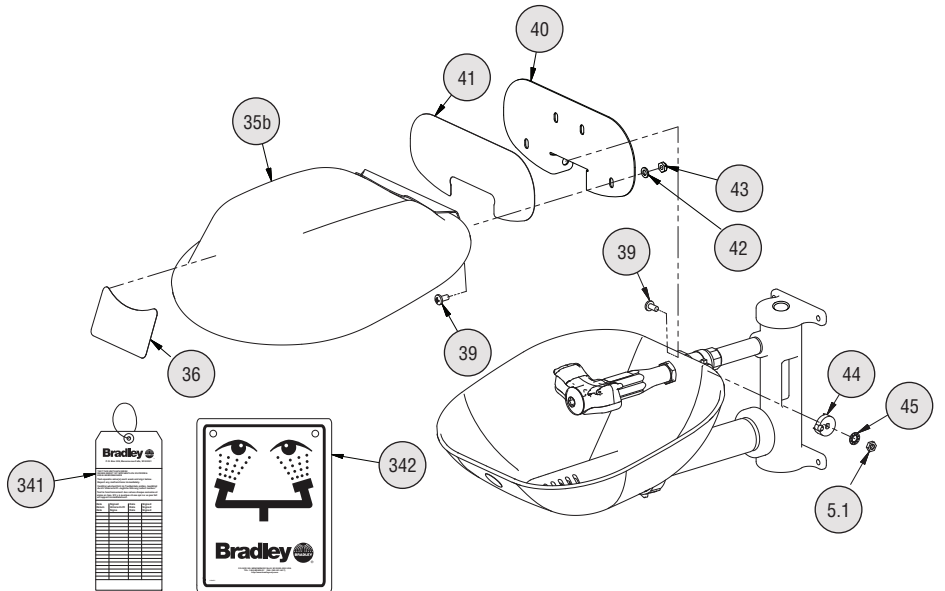
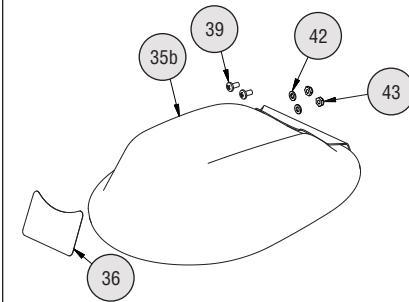
Paquet couvercle plastique S90-390 comprend les éléments 35a, 36, 39, 42, 43



**Pièces de remplacement — Couvercle acier inox**

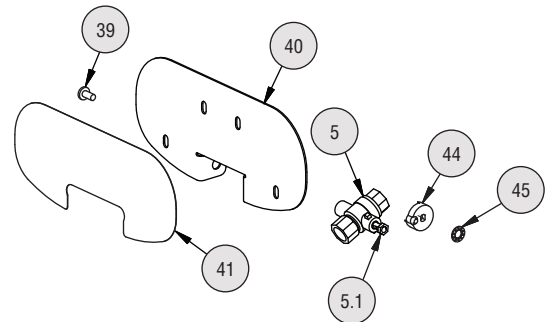
Paquet couvercle acier inox S90-388 comprend les éléments 35b, 36, 39, 42, 43

Paquet couvercle acier inox (316) S90-389 comprend les éléments 35b, 36, 39, 42, 43



Paquets manette comprend les éléments 39, 40, 41, 44, 45, 5, 5.1

- Paquet S08-390 (pour les unités avec robinet laiton)
- Paquet S08-391 (pour les unités avec robinet acier inox)
- Paquet S08-392 (pour les unités avec vanne antigel laiton)
- Paquet S08-393 (pour les unités avec vanne antigel acier inox)
- Paquet S08-394 (pour les unités avec robinet et manette acier inox 316)
- Paquet S08-395 (pour les unités avec vanne antigel et manette acier inox 316)



### Liste des pièces — Douche oculaire, Douche oculaire/ faciale, et couvercle

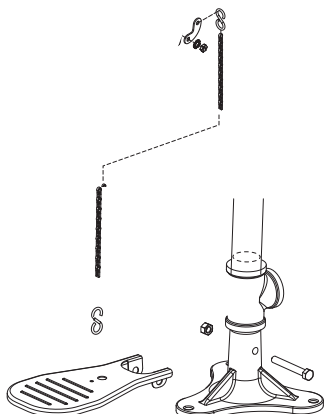
Pièce	Réf.	Qté.	Description	Pièce	Réf.	Qté.	Description
20	171-001	1	Corps	26	125-157	2	Bague
20	171-002	1	Corps acier inox	27	125-175	1	Contrôle du débit
20	171-003	1	Corps acier inox 316	28	S65-340	1	Filter (paquet de 3)
20	171-004	1	Corps poli	35a	kit de remplacement	1	Couvercle plastique
21a	S05-190	1	Douche oculaire (comprend)	35b	kit de remplacement	1	Couvercle acier inox
22	kit de remplacement	2	Axe de pivotement	35b	kit de remplacement	1	Couvercle acier inox 316
23	kit de remplacement	2	Couverture à bascule	36	114-097	1	Étiquette (pour couvercle)
21b	S05-192	1	Douche oculaire (comprend)	39	160-389	qté. au besoin	Vis ¼-20 x ½" acier inox
22	kit de remplacement	2	Axe de pivotement	39	160-469	qté. au besoin	Vis ¼-20 x ½" acier inox 316
24a	kit de remplacement	1	Couverture à bascule droite	40	S08-385	1	Manette acier inox (incl. les éléments 41, 44, 45, 5.1)
24b	kit de remplacement	1	Couverture à bascule gauche	40	S08-388	1	Manette acier inox 316 (incl. les éléments 41, 44, 45, 5.1)
21f	S05-204	1	Tête de douche en acier inoxydable 304 oculaire/ faciale (comprend)	41	114-096	1	Étiquette
22	kit de remplacement	2	Axe de pivotement	42	142-002AV	qté. au besoin	Rondelle
24a	kit de remplacement	1	Couverture à bascule droite	43	161-060	qté. au besoin	Écrou acier inox
24b	kit de remplacement	1	Couverture à bascule gauche	43	161-062	qté. au besoin	Écrou acier inox 316
21j	S05-205	1	Tête de douche en acier inoxydable 316 oculaire/ faciale (comprend)	44	153-372R	1	Adaptateur robinet
22	kit de remplacement	2	Axe de pivotement	44	153-372R316	1	Adaptateur robinet acier inox 316
24a	kit de remplacement	1	Couverture à bascule droite	45	142-002DA	1	Rondelle de blocage
24b	kit de remplacement	1	Couverture à bascule gauche	341	204-421	1	Étiquette d'inspection
25	115-158	1	Bouchon	342	114-051	1	Enseigne de sécurité
25	115-159	1	Bouchon acier inox	342	114-051E	1	Enseigne de sécurité (Non disponible aux États-Unis)
25	115-164	1	Bouchon acier inox 316				
25	115-165	1	Bouchon poli				



### Pièces de remplacement et liste des pièces — Bride et drain

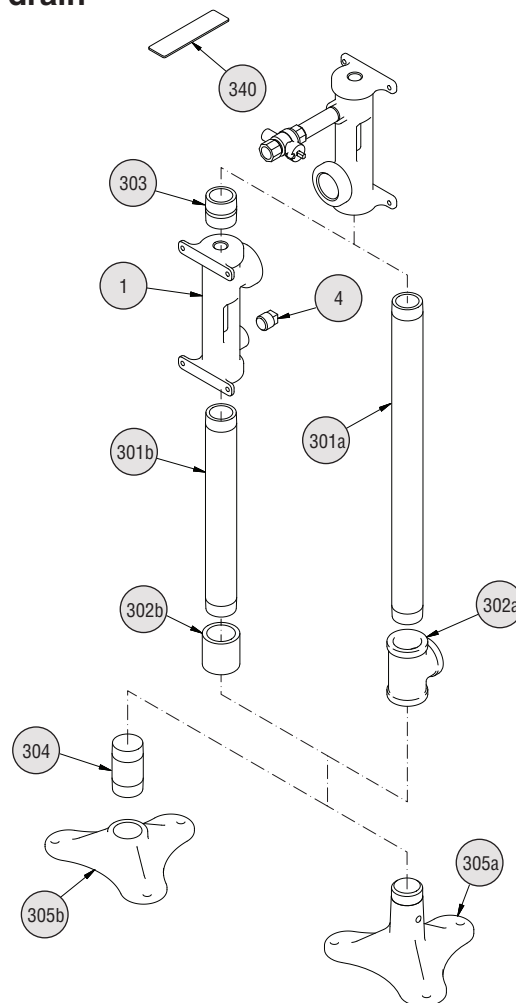
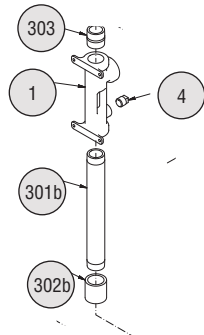
**Paquet pédale**

- S45-572 (standard)
- S45-1314SS (acier inox)
- S45-1314SS16 (acier inox 316)



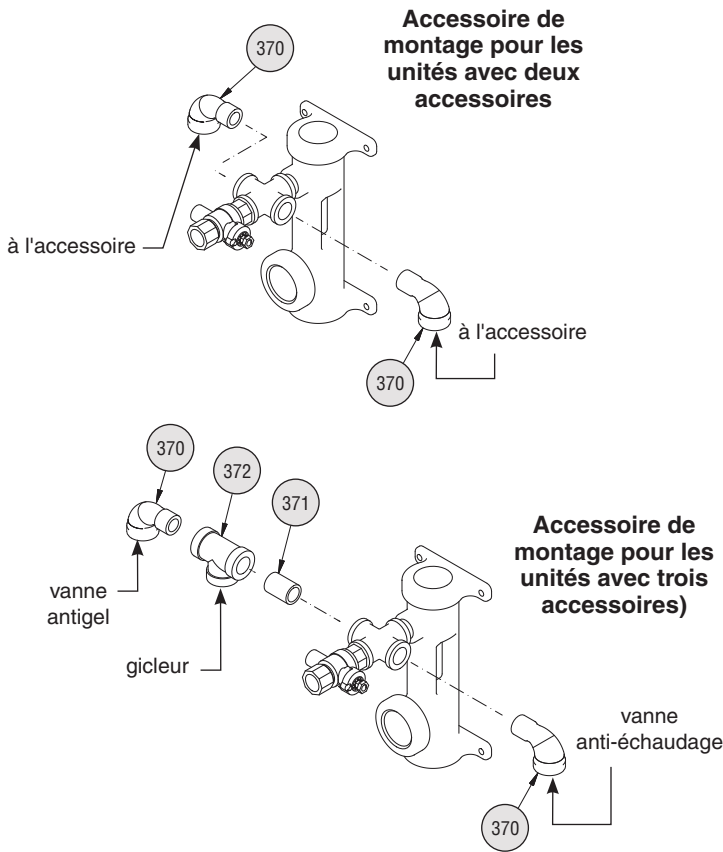
**Paquet bride et drain (vidange de 24")**  
comprend les éléments 1, 4, 301b, 302b, 303

- S29-098 (standard)
- S29-099 (acier inox)
- S29-100 (acier inox 316)
- S29-101 (chromé)

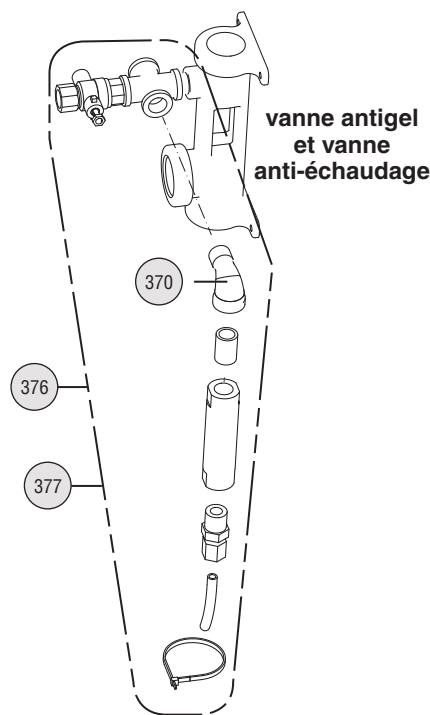


Pièce	Réf.	Qté.	Description	Pièce	Réf.	Qté.	Description
1	111-092	1	Moyeu	302a	269-237	1	Té 1¼" acier inox
1	111-093	1	Moyeu acier inox	302a	269-1398	1	Té 1¼" acier inox 316
1	111-095	1	Moyeu acier inox 316	302a	269-253	1	Té 1¼" chromé
1	111-094	1	Moyeu acier inox poli	302b	169-853	1	Couplage 1¼" galvanisé
4	300-0393	2	Bouchon ½" chromé	302b	269-257	1	Couplage 1¼" chromé
4	153-230	2	Bouchon ½" acier inox	302b	269-1048	1	Couplage 1¼" acier inox
4	153-460	2	Bouchon ½" acier inox 316	302b	269-2016	1	Couplage 1¼" acier inox 316
301a	113-1197	1	Tuyau 1¼" x 20½"	303	113-006NA	1	Tuyau 1¼" x étroit peint galvanisé
301a	113-1198	1	Tuyau 1¼" x 20½" chromé	303	113-865	1	Tuyau 1¼" x étroit acier inox
301a	113-541	1	Tuyau 1¼" x 20½" acier inox	303	113-1223	1	Tuyau 1¼" x étroit acier inox 316
301a	113-1213	1	Tuyau 1¼" x 20½" acier inox 316	304	S06-189	1	Bouchon chromé plein
301b	113-1217	1	Tuyau 1¼" x 12¾"	305a	131-059	1	Bride peint
301b	113-1218	1	Tuyau 1¼" x 12¾" chromé	305a	131-062	1	Bride acier inox
301b	113-1219	1	Tuyau 1¼" x 12¾" acier inox	305a	131-079	1	Bride acier inox 316
301b	113-1220	1	Tuyau 1¼" x 12¾" acier inox 316	305b	131-044	1	Bride chromé
302a	169-727	1	Té 1¼" peint galvanisé	340	269-915	1	Tampon anti dérapant

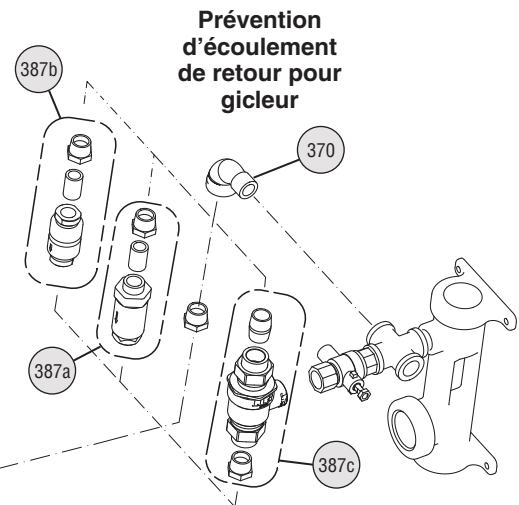
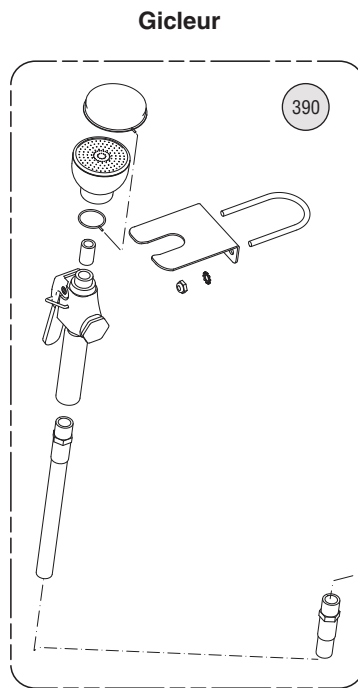
**Pièces de remplacement — Accessoires en option**



Pièce	Réf.	Qté.	Description
370	169-025		Coude ½" (qté. au besoin)
370	269-241		Coude ½" acier inox (qté. au besoin)
370	269-1396		Coude ½" acier inox 316 (qté. au besoin)
370	169-862		Coude ½" chromé (qté. au besoin)
371	113-006LG	1	Tuyau ½" x ferme
371	113-867	1	Tuyau ½" x ferme acier inox
371	113-1210	1	Tuyau ½" x ferme acier inox 316
371	113-006AW	1	Tuyau ½" x ferme chromé
372	169-838	1	Té ½"
372	169-1100	1	Té ½" acier inox
372	269-280	1	Té ½" chromé
372	169-1099	1	Té ½" acier inox 316

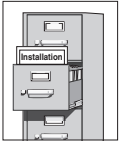


Pièce	Réf.	Description
376	S45-1986	Vanne antigel
377	S45-1989	Vanne anti-échaudage



Pièce	Réf.	Qté.	Description
387a	S27-303	1	Prévention des casse-vidé ¾"
387b	S45-2309	1	Prévention d'écoulement de retour N9
387c	S45-2310	1	Prévention d'écoulement de retour 9D
390	S19-430EH	1	Gicleur

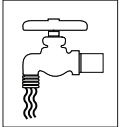
## ¡IMPORTANTE!



Lea en su totalidad este manual de instalación para garantizar una instalación adecuada. Una vez que termine la instalación, entregue este manual al propietario o al Departamento de Mantenimiento. Es responsabilidad de quien instale el equipo cumplir con los códigos para desagüe y otros códigos y ordenanzas locales.



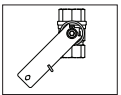
Separar todas las piezas del material de embalaje y asegurarse que todas las piezas estén incluidas antes de desechar cualquier material de embalaje. Si faltase alguna pieza, no intentar instalar la unidad combinada Bradley hasta obtener las piezas faltantes.



Aclarar el conducto del suministro de agua antes y después de la instalación. Verificar que no haya fugas y que el flujo de agua sea adecuado. El suministro principal de agua a la unidad debe estar siempre en posición "ON" (abierto). Se deben tomar medidas a fin de evitar el corte no autorizado del suministro.



La norma ANSI Z358.1 exige un suministro ininterrumpido de líquido de limpieza. Los equipos de emergencia con tuberías de Bradley requieren una presión de flujo mínima de 0,21 MPa (30 PSI). El líquido de limpieza debe estar tibio en conformidad con la norma ANSI Z358.1.



Las válvulas con funcionamiento a resorte de autocerrado no cuentan con clasificación UL para ANSI Z358.1.



Este equipo se debe inspeccionar, probar y anotar semanalmente para mantener un funcionamiento adecuado. Se debe revisar este equipo anualmente para asegurarse de que cumpla con la norma ANSI Z358.1.



Los trabajadores que puedan tener contacto con materiales potencialmente peligrosos deben recibir capacitación sobre la ubicación y operación adecuada de los equipos de emergencia en conformidad con la norma ANSI Z358.1.



Para consultas sobre la operación o instalación de este producto, visite [www.bradleycorp.com](http://www.bradleycorp.com) o llame al 1-800-BRADLEY.

Las garantías del producto se pueden encontrar en "Información del producto" o en nuestro sitio Web, [www.bradleycorp.com](http://www.bradleycorp.com).

**¡AVISO!** Evite los limpiadores que contengan solventes orgánicos, alcoholes e hidrocarburos. Enjuague con agua después de limpiar.

### Materiales necesarios:

- (3) anclas para el piso y pernos de 3/8"
- Sellador de tubería
- Tubería a la entrada de suministro de agua NPT de 1 1/4" (30–90 psi)
- Tubería a la salida del desagüe NPT a 1 1/4" (si se incluye con la unidad)
- OPCIONAL: Tornillería para montar el aviso de seguridad



Los códigos locales pueden exigir la instalación de una válvula de prevención de contraflujo para completar la instalación correcta. La conformidad con los códigos locales es de responsabilidad del instalador. La válvula se debe probar anualmente para verificar que funcione de manera correcta. Las válvulas de prevención de contraflujo no se incluyen con el accesorio y las puede proporcionar el contratista o las puede comprar en Bradley Corporation.

## Modelos preconfigurados Halo

Número de Modelo - Halo	Descripción
<b>Lavaojos</b>	
<input type="checkbox"/> S19214EW*	Lavaojos Halo, receptor plástico
<input type="checkbox"/> S19214B*	Lavaojos Halo, receptor acero inox
<b>Lavaojos con cubierta contrapolvo</b>	
<input type="checkbox"/> S19214PDC*	Lavaojos Halo, receptor plástico con cubierta contrapolvo
<input type="checkbox"/> S19214DC*	Lavaojos Halo, receptor acero inox y cubierta para el polvo con bisagras
<b>Lavaojos/Rostro</b>	
<input type="checkbox"/> S19214FW*	Lavaojos/rostro Halo, receptor plástico
<input type="checkbox"/> S19214Y*	Lavaojos/rostro Halo, receptor acero inox
<input type="checkbox"/> S19214P*	Lavaojos/rostro Halo, receptor acero inox con rociador de manguera
<input type="checkbox"/> S19214YF*	Lavaojos/rostro Halo, receptor acero inox, activación con el pie o la mano
<b>Lavaojos/Rostro con cubierta contrapolvo</b>	
<input type="checkbox"/> S19214PDCFW*	Lavaojos/rostro Halo, receptor plástico con cubierta contrapolvo
<input type="checkbox"/> S19214DCFW*	Lavaojos/rostro Halo, receptor acero inox y cubierta para el polvo con bisagras
<b>Lavado ocular completamente de acero inoxidable</b>	
<input type="checkbox"/> S19214BSS	Lavado ocular y facial de acero inoxidable Halo y receptor
<input type="checkbox"/> S19214SC	Lavado ocular y facial de acero inoxidable Halo, palangana y cubierta
<input type="checkbox"/> S19214SS	Lavado ocular y facial de acero inoxidable Halo y receptor con activación con el pie

\* Modelos europeos disponibles. Para el número de modelo europeo, agregue una Z al final del número de pieza existente. Por ejemplo, S19214EW quedará como S19214EWZ.

# Configuración del producto

## Selecciones estándares (se debe seleccionar una de cada categoría)

### Configuración

- B** Flujo de altura 24"
- O** Flujo de altura 6" estándar

### Material de la tubería

- A** Acero inox NPT galvanizado con amarillo BradTect®
- B** Acero inox 304 NPT
- C** Acero inox 316 NPT\*
- D** Latón cromado NPT
- F** BSP, Acero inox galvanizado con amarillo BradTect® ‡
- G** BSP, Acero inox 304 ‡
- J** BSP, Latón cromado ‡

### Válvula

- 1** Abertura continua (lavajos), latón cromado
- 2** Abertura continua (lavajos), acero inox 316

### Lavajos - lavajos/rostro

- A** Lavajos Halo
- B** Lavajos/rostro Halo
- D** Lavajos Halo, horquilla acero inox 304 NPT
- E** Lavajos/rostro Halo, horquilla acero inox 304 NPT
- F** Lavado ocular y facial de acero inoxidable 304 Halo, horquilla acero inox 304 NPT
- G** Lavajos Halo, horquilla acero inox 316 NPT
- H** Lavajos/rostro Halo, horquilla acero inox 316 NPT
- J** Lavado ocular y facial de acero inoxidable 316 Halo, horquilla acero inox 316 NPT

\* No disponible con configuraciones de instalaciones para minusválidos.

‡ No disponible en los Estados Unidos.

**NPT = National Pipe Thread (Estándar nacional de roscas para tuberías)**

**BSP = British Standard Pipe Thread (Estándar británico de roscas para tuberías)**

## Receptor y cubierta contrapolvo

- A** Receptor plástico, sin cubierta contrapolvo
- B** Receptor plástico, cubierta contrapolvo plástico
- D** Receptor acero inox 304, sin cubierta contrapolvo
- E** Receptor acero inox 304, cubierta contrapolvo acero inox 304
- F** Receptor acero inox 304, cubierta contrapolvo plástico
- G** Receptor acero inox 316, sin cubierta contrapolvo
- H** Receptor acero inox 316, cubierta contrapolvo acero inox 316
- J** Receptor acero inox 316, cubierta contrapolvo plástico
- O** Sin receptor, sin cubierta contrapolvo

## Activación

- A** Manija acero inox 304
- B** Manija acero inox 316
- C** Manija acero inox 304 con pedal de aluminio\*
- D** Manija acero inox 304 con pedal acero inox\*
- E** Manija acero inox 316 con pedal acero inox\*

## Rociador y prevención de contraflujos

- A** Rociador con interruptor de vacío
- B** Rociador con prevención de contraflujos N9
- C** Rociador con prevención de contraflujos 9D
- D** Rociador sin prevención de contraflujos
- O** Sin rociador, sin prevención de contraflujos

## Protección contra congelamiento y contra quemaduras

- N** Válvulas de protección contra congelamiento
- P** Válvulas de protección contra quemaduras
- R** Válvulas de protección contra congelamiento y contra quemaduras
- O** Sin válvulas de protección contra congelamiento, sin válvulas de protección contra quemaduras

### Cómo especificar el modelo y las configuraciones de los productos Bradley:

Modelo No. .... S19214



1. Configuración

2. Material de la tubería

3. Válvula

4. Lavajos - lavajos/rostro

5. Receptor y cubierta contrapolvo

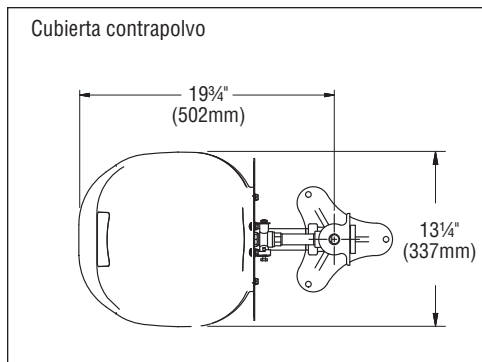
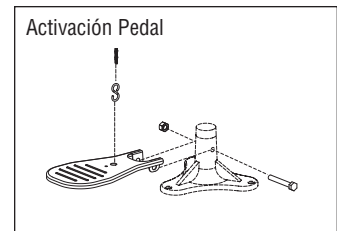
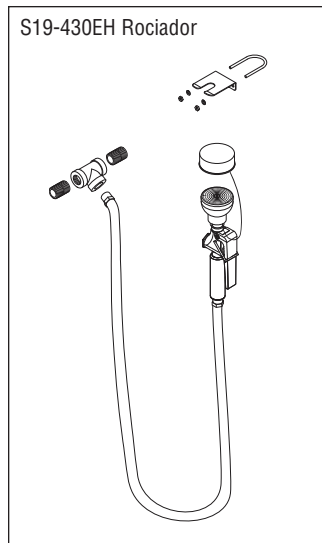
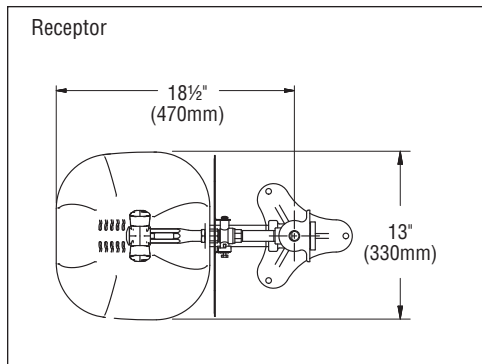
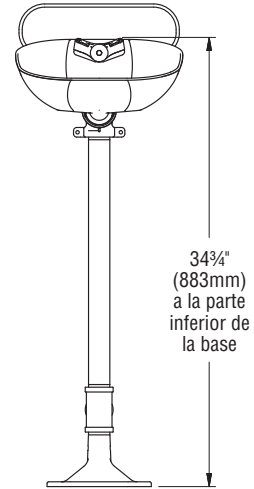
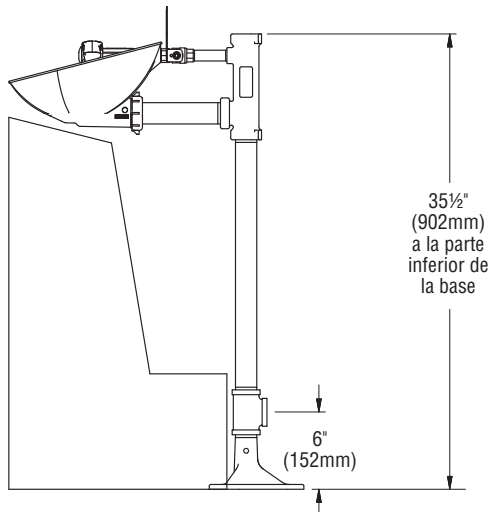
6. Activación

7. Rociador y prevención de contraflujos

8. Protección contra congelamiento y contra quemaduras


# Dimensiones

S19214 se muestra con receptor plástico



**El flujo del agua**

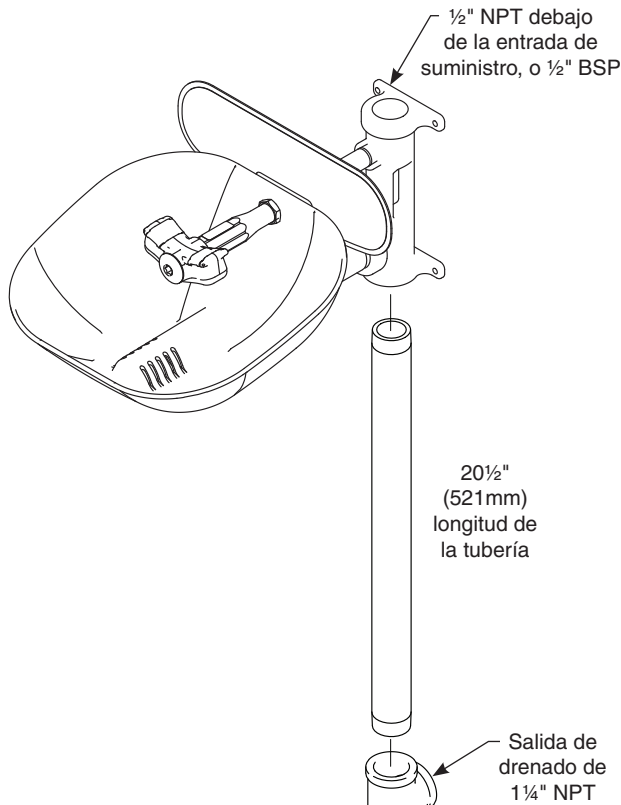
Lavaojos	4-5 1/4 gpm
Lavaojos/rostro	4-5 1/4 gpm
Lavado de cuerpo	2-8 gpm

 **Todas las dimensiones asumen el enganche de rosca estándar. Las variaciones en la fabricación permiten +/- 3,1 mm (1/8") por junta roscada. Para encontrar la tolerancia de una dimensión, agregue el número de juntas roscadas entre una dimensión y multiplíquelo por 3,1 mm (1/8").**

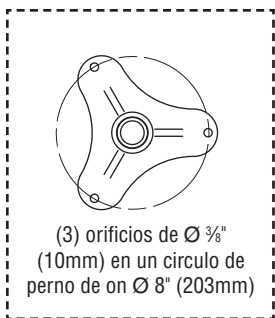
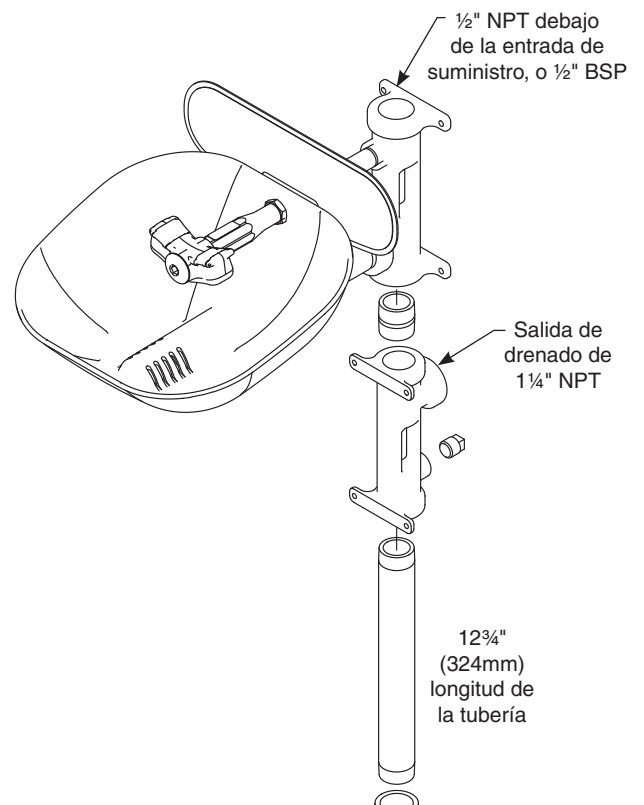
# 1 Montaje — Base y Lavaojos

- ✓ Se muestra una unidad lavaojos estándar. Las otras unidades son similares.
- ✓ Conecte los componentes antes de fijar la base al suelo. Usar una almohadilla de agarre alrededor de la tubería al apretar para evitar estropearla.
- ✓ Aplicar sellador de tubería a todas las juntas de tubería de rosca macho. No deje que el sellador se derrame sobre el borde de los tubos.
- ✓ BSP = British Standard Pipe Thread (Estándar británico de roscas para tuberías) (No disponible en los Estados Unidos)

**La unidad de Halo de flujo de altura estándar**



**La unidad de Halo de flujo de altura 24" opcional**

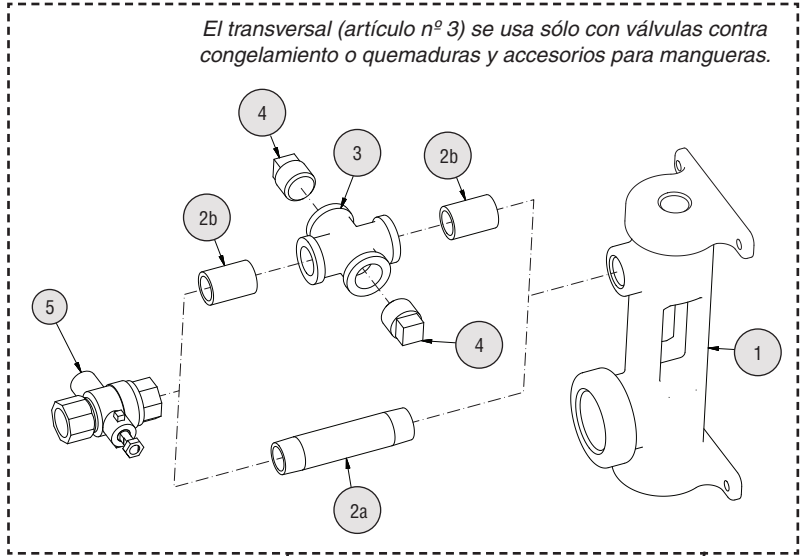


Para instalar el pedal opcional, la base debe estar en una posición en la que el agujero de la base esté perpendicular al usuario.

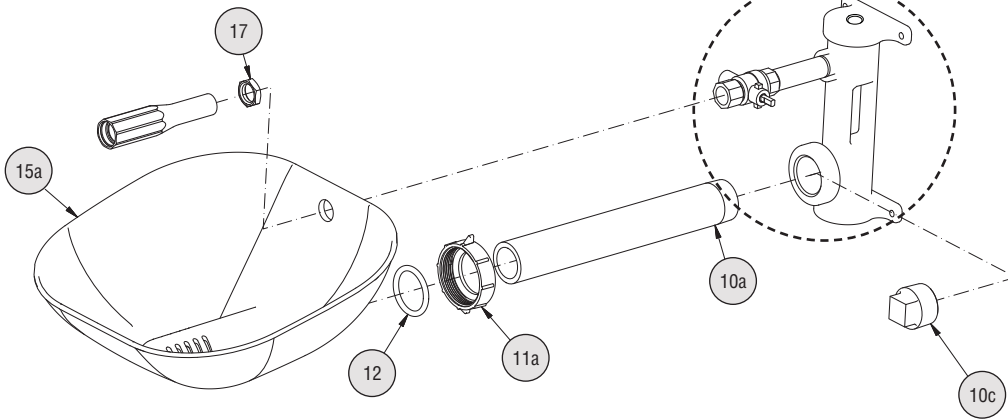
Pernos de 3/8" suministrados por el instalador

### Piezas de repuestor — Receptor y buje

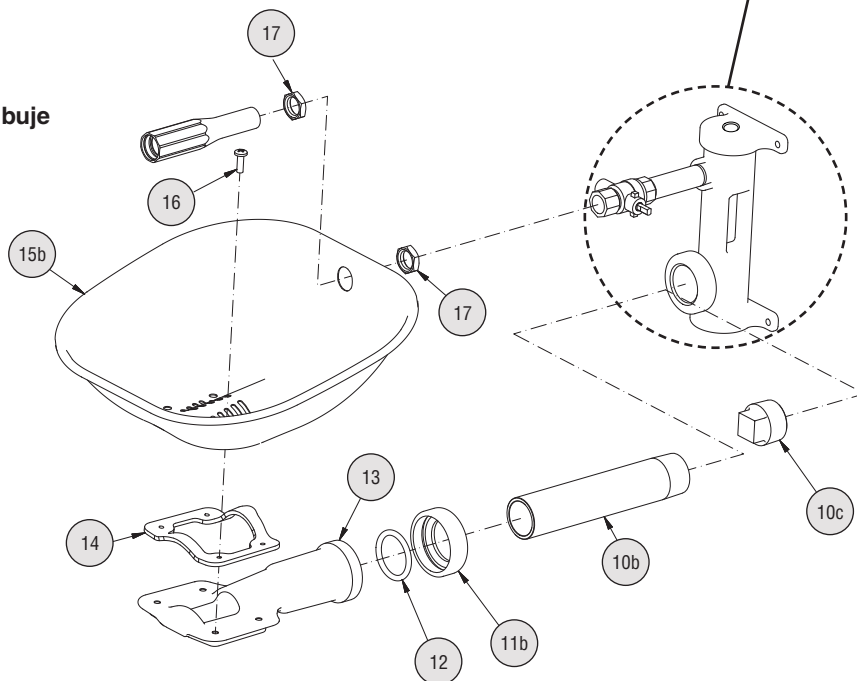
El transversal (artículo n° 3) se usa sólo con válvulas contra congelamiento o quemaduras y accesorios para mangueras.



Receptor plástico con buje



Receptor acero inox con buje

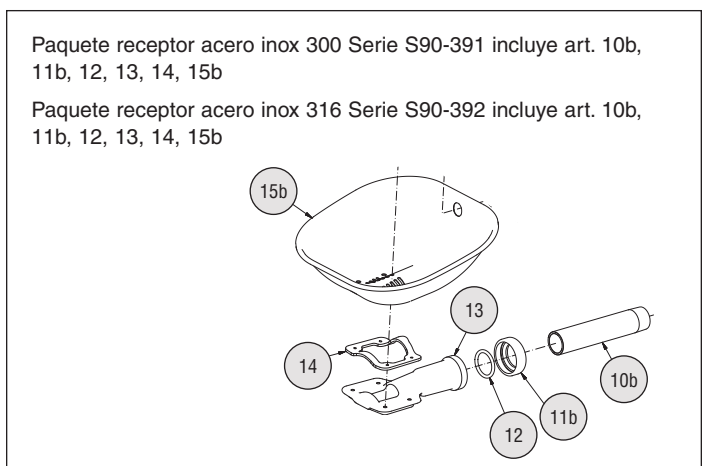
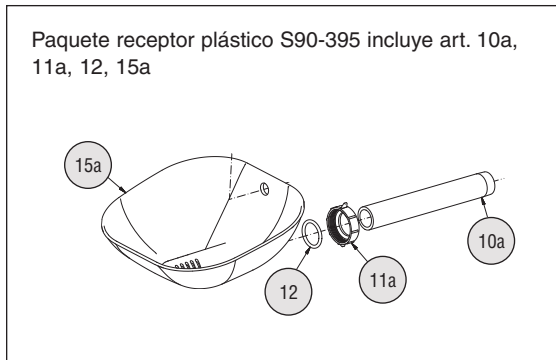




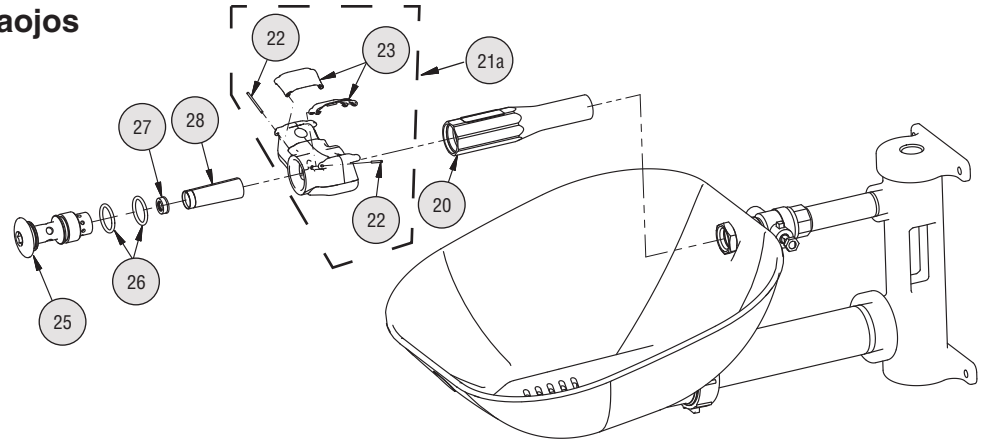
### Lista de piezas — Receptor y buje

**BSP = British Standard Pipe Thread (Estándar británico de roscas para tuberías) (No disponible en los Estados Unidos)**

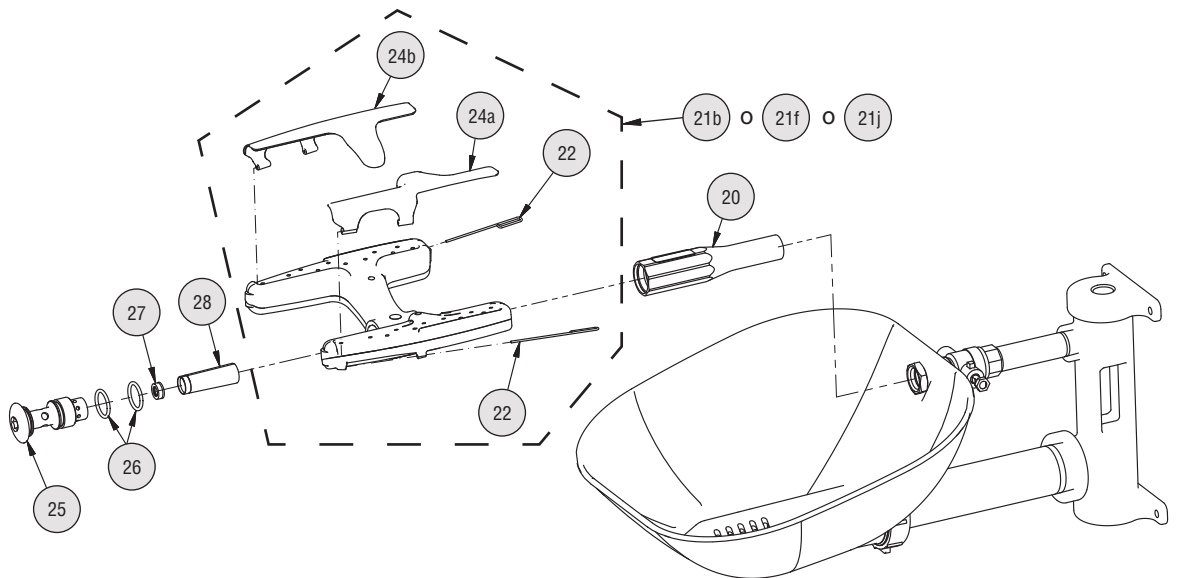
Art.	Pieza No.	Ctd.	Descripción	Art.	Pieza No.	Ctd.	Descripción
1	111-096	1	Buje	10a	113-1202	1	Tubería 1¼" x 11" rosca extremo
1	111-096B	1	Buje, BSP	10a	113-1203	1	Tub. 1¼" x 11" acero inox rosca extremo
1	111-097	1	Buje acero inox	10b	113-1204	1	Tubería 1¼" x 7" rosca extremo
1	111-103	1	Buje acero inox 316	10b	113-1205	1	Tubería 1¼" x 7" acero inox rosca extremo
1	111-098	1	Buje acero inox pulido	10b	113-1206	1	Tub. 1¼" x 7" cromado rosca extremo
2a	113-006LQ	1	Tubería ½" x 3½"	10b	113-1212	1	Tub. 1¼" x 7" acero inox 316 rosca extremo
2a	113-965	1	Tubería ½" x 3½" acero inox	10c	169-724	1	Tápon 1¼" pintado galvanizado
2a	113-1211	1	Tubería ½" x 3½" acero inox 316	10c	269-251	1	Tápon 1¼" cromado
2a	113-596	1	Tubería ½" x 3½" cromado	10c	269-238	1	Tápon 1¼" acero inox
2b	113-006LG	2	Tubería ½" x rosca exterior	10c	269-1402	1	Tápon 1¼" acero inox 316
2b	113-867	2	Tubería ½" x rosca exterior en acero inox	11a	110-239	1	Tuerca, plástico
2b	113-1210	2	Tubería ½" x rosca exterior en acero inox 316	11b	110-240	1	Tuerca, acero inox
2b	113-006AW	2	Tubería ½" x rosca exterior cromado	11b	110-242	1	Tuerca, acero inox 316
3	169-1090	1	Transversal ½"	12	125-176	1	Arosello
3	169-1091	1	Transversal ½" acero inox	13	111-099	1	Soporte Receptor aluminio
3	169-1098	1	Transversal ½" acero inox 316	13	111-100	1	Soporte Receptor pintado aluminio
3	169-1097	1	Transversal ½" cromado	13	111-101	1	Soporte Receptor acero inox
4	300-0393	2	Tápon ½" cromado	13	111-102	1	Soporte Receptor acero inox 316
4	153-230	2	Tápon ½" acero inox	14	124-082	1	Junta
4	153-460	2	Tápon ½" acero inox 316	15a	187-320	1	Receptor plástico
5	S27-327	1	Válvula ½" con tuerca	15b	S90-393	1	Receptor acero inox (incluye art. 14)
5	S27-328	1	Válvula ½" acero inox 316 con tuerca	15b	S90-394	1	Receptor acero inox 316 (incluye art. 14)
5	S27-329	1	Válvula de protección contra congelamiento ½" con tuerca	16	160-467	4	Tornillo
5	S27-330	1	Válvula de protección contra quemaduras ½" con tuerca	17	110-115a		Tuerca ½" NPSM latón cromado (ctd. la req.)
5.1	110-215	1	Tuerca	17	110-238		Tuerca ½" NPSM acero inox (ctd. la req.)
5.1	110-248	1	Tuerca acero inox 316	17	110-241		Tuerca ½" NPSM acero inox 316 (ctd. la req.)



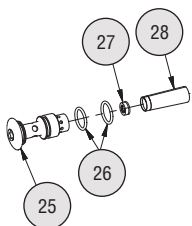
**Piezas de repuesto — Lavajos**



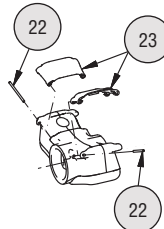
**Piezas de repuesto — Lavajos/rostro**



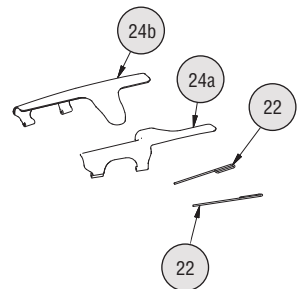
- Paquete S65-339 incluye art. 26, 27, 28
- Paquete S88-068 incluye art. 25, 26, 27, 28
- Paquete S88-069 incluye art. 25, 26, 27, 28 (300 series ss)
- Paquete S88-070 incluye art. 25, 26, 27, 28 (316 ss)



- Paquete tapa protectora lavajos S45-2675 incluye art. 22 and 23

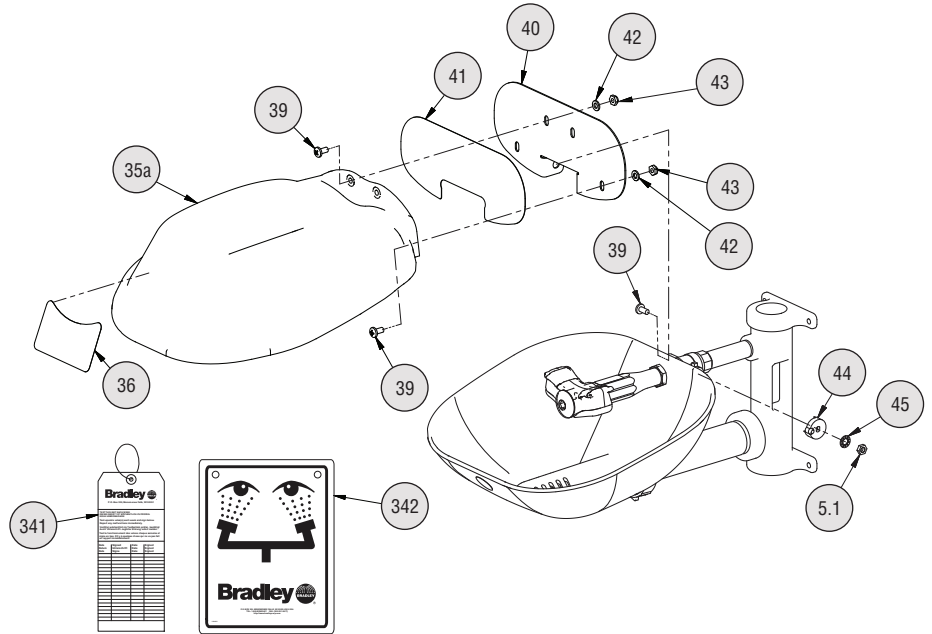
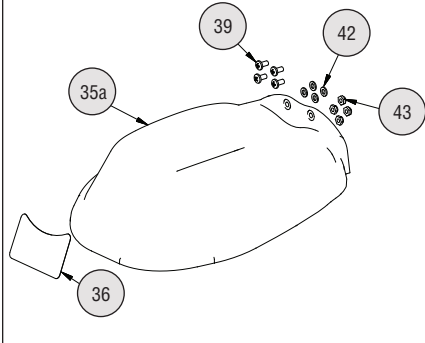


- Paquete tapa protectora lavajos/rostro S45-2676 incluye art. 22, 24a and 24b



**Piezas de repuesto — Cubierta contrapolvo plástico**

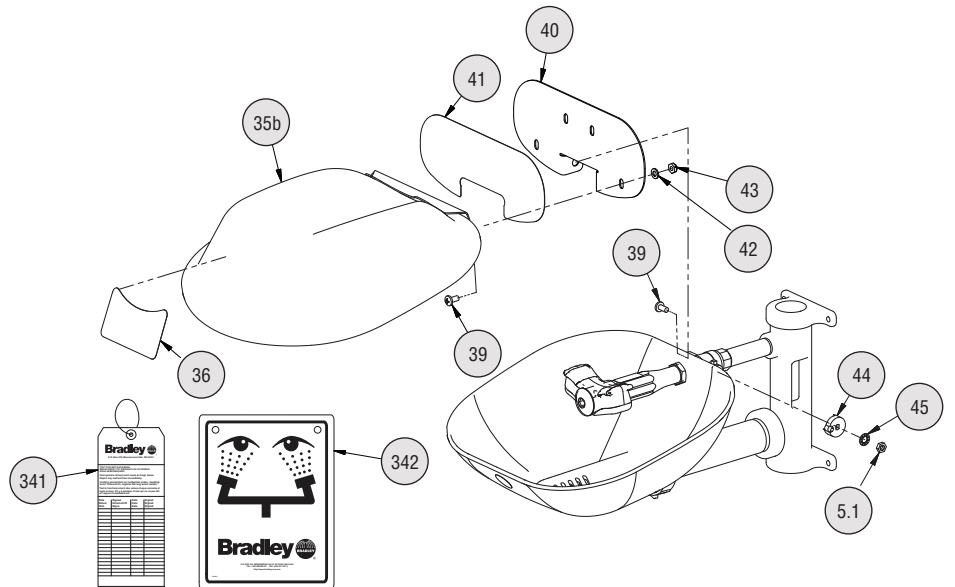
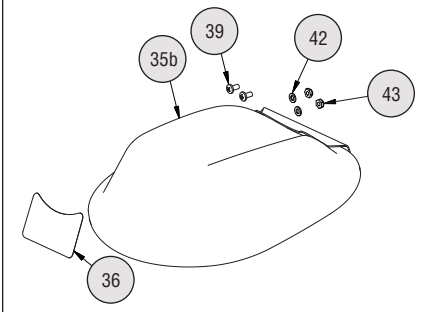
Paquete cubierta contrapolvo plástico S90-390 incluye art. 35a, 36, 39, 42, 43



**Piezas de repuesto — Cubierta contrapolvo acero inox**

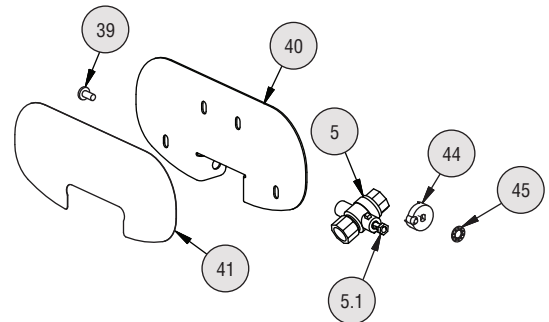
Paquete cubierta contrapolvo acero inox S90-388 incluye art. 35b, 36, 39, 42, 43

Paquete cubierta contrapolvo acero inox (316) S90-389 incluye art. 35b, 36, 39, 42, 43



Paquete Manija incluye art. 39, 40, 41, 44, 45, 5, 5.1

- Paquete S08-390 (para las unidades con válvula de latón)
- Paquete S08-391 (para las unidades con válvula de acero inox)
- Paquete S08-392 (para las unidades con válvula de protección contra congelamiento de latón)
- Paquete S08-393 (para las unidades con válvula de protección contra congelamiento de acero inox)
- Paquete S08-394 (para las unidades con válvula de acero inox 316 y manija)
- Paquete S08-395 (para las unidades con válvula de protección contra congelamiento de acero inox 316 y manija)



### Lista de piezas — Lavaojos, lavaojos/rostro y cubierta

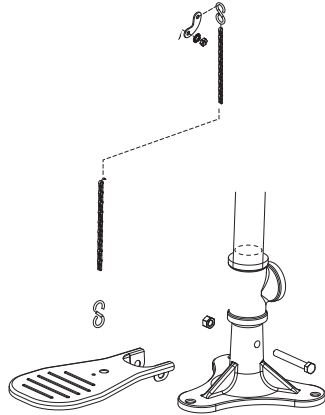
Art.	Pieza No.	Ctd.	Descripción
20	171-001	1	Cuerpo
20	171-002	1	Cuerpo acero inox
20	171-003	1	Cuerpo acero inox 316
20	171-004	1	Cuerpo pulido
21a	S05-190	1	Lavaojos (incluye)
22	juego de repuesto	2	Pasador de pivote
23	juego de repuesto	2	Tapa protectora
21b	S05-192	1	Lavaojos/rostro (incluye)
22	juego de repuesto	2	Pasador de pivote
24a	juego de repuesto	1	Tapa protectora derecha
24b	juego de repuesto	1	Tapa protectora izquierda
21f	S05-204	1	Conjunto de boquillas rociadoras de acero inoxidable 304 para ojos y cara (incluye)
22	juego de repuesto	2	Pasador de pivote
24a	juego de repuesto	1	Tapa protectora derecha
24b	juego de repuesto	1	Tapa protectora izquierda
21j	S05-205	1	Conjunto de boquillas rociadoras de acero inoxidable 316 para ojos y cara (incluye)
22	juego de repuesto	2	Pasador de pivote
24a	juego de repuesto	1	Tapa protectora derecha
24b	juego de repuesto	1	Tapa protectora izquierda
25	115-158	1	Tapa
25	115-159	1	Tapa acero inox
25	115-164	1	Tapa acero inox 316
25	115-165	1	Tapa pulido

Art.	Pieza No.	Ctd.	Descripción
26	125-157	2	Arosello
27	125-175	1	Control del flujo
28	S65-340	1	Filtro (paquete de 3)
35a	juego de repuesto	1	Cubierta plástico
35b	juego de repuesto	1	Cubierta acero inox
35b	juego de repuesto	1	Cubierta acero inox 316
36	114-097	1	Etiqueta (cubierta)
39	160-389	ctd. la req.	Tornillo ¼-20 x ½" acero inox
39	160-469	ctd. la req.	Tornillo ¼-20 x ½" acero inox 316
40	S08-385	1	Manija acero inox (incluye art.) 41, 44, 45, 5.1)
40	S08-388	1	Manija acero inox 316 (incluye art.) 41, 44, 45, 5.1)
41	114-096	1	Etiqueta
42	142-002AV	ctd. la req.	Arandela
43	161-060	ctd. la req.	Tuerca acero inox
43	161-062	ctd. la req.	Tuerca acero inox 316
44	153-372R	1	Adaptador Válvula
44	153-372R316	1	Adaptador Válvula acero inox 316
45	142-002DA	1	Rondana de seguridad
341	204-421	1	Etiqueta de emergencia
342	114-051	1	Aviso de seguridad
342	114-051E	1	Aviso de seguridad (No disponible en los Estados Unidos)

### Piezas de repuesto y lista de piezas — Base y drenaje

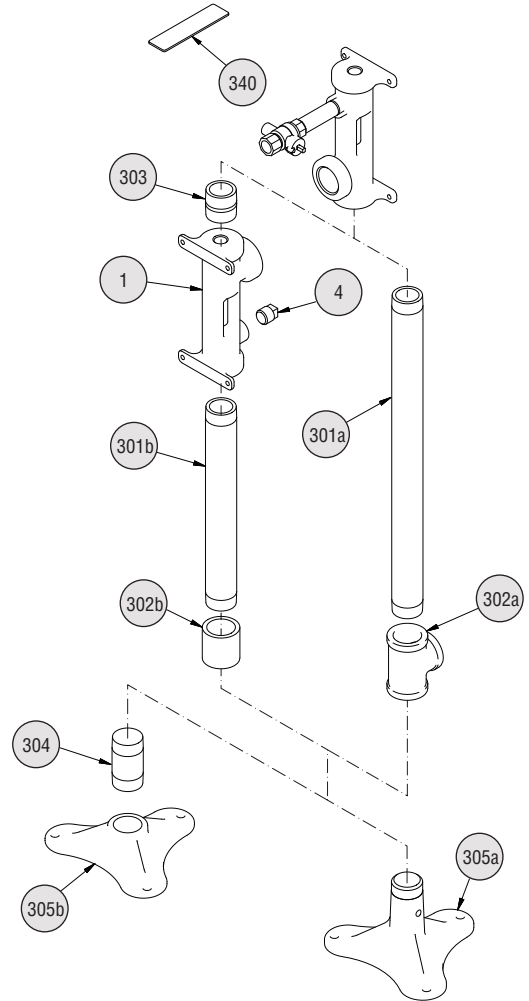
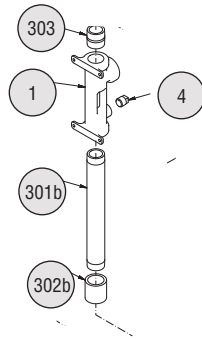
**Paquete pedal**

- S45-572 (estándar)
- S45-1314SS (acero inox)
- S45-1314SS16 (acero inox 316)



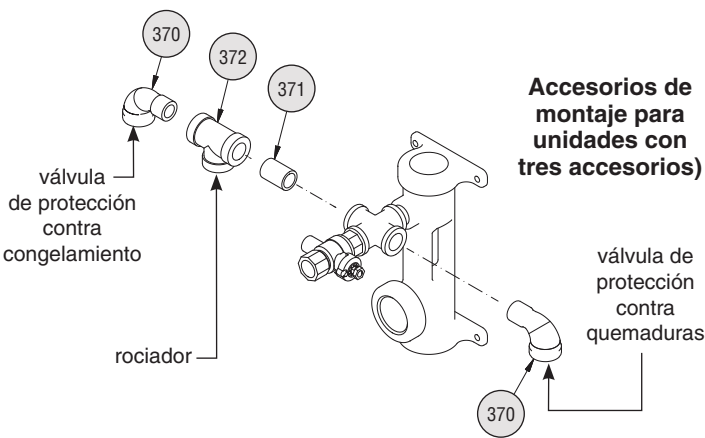
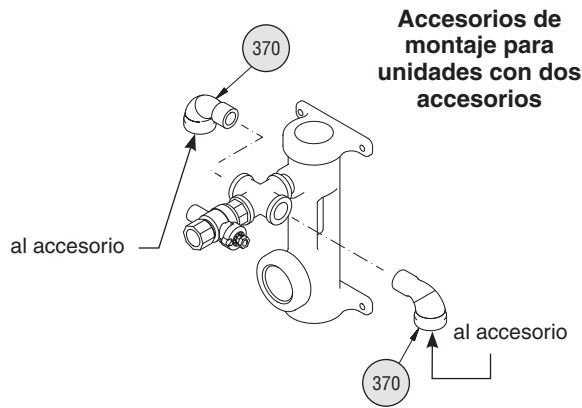
**Paquete Base y drenaje de 24"**  
incluye art. 1, 4, 301b, 302b, 303

- S29-098 (estándar)
- S29-099 (acero inox)
- S29-100 (acero inox 316)
- S29-101 (cromado)

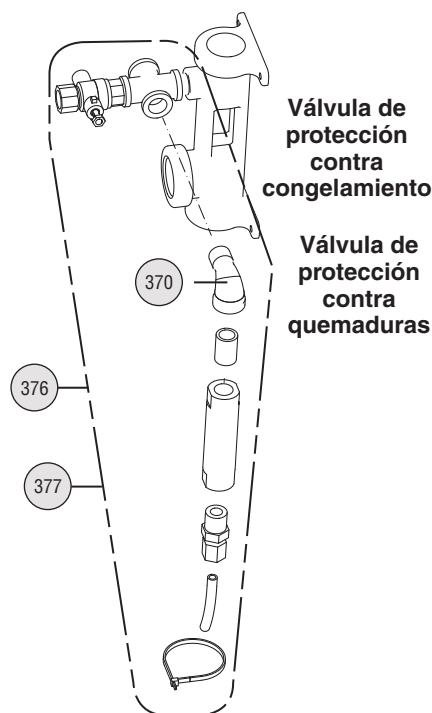


Art.	Pieza No.	Ctd.	Descripción	Art.	Pieza No.	Ctd.	Descripción
1	111-092	1	Buje	302a	269-237	1	T 1¼" acero inox
1	111-093	1	Buje acero inox	302a	269-1398	1	T 1¼" acero inox 316
1	111-095	1	Buje acero inox 316	302a	269-253	1	T 1¼" cromado
1	111-094	1	Buje acero inox pulido	302b	169-853	1	Acoplamiento 1¼" galvanisé
4	300-0393	2	Tapón ½" cromado	302b	269-257	1	Acoplamiento 1¼" cromado
4	153-230	2	Tapón ½" acero inox	302b	269-1048	1	Acoplamiento 1¼" acero inox
4	153-460	2	Tapón ½" acero inox 316	302b	269-2016	1	Acoplamiento 1¼" acero inox 316
301a	113-1197	1	Tubería 1¼" x 20½"	303	113-006NA	1	Tab. 1¼" x rosca exterior pintado galvanizado
301a	113-1198	1	Tubería 1¼" x 20½" cromado	303	113-865	1	Tubería 1¼" x rosca exterior acero inox
301a	113-541	1	Tubería 1¼" x 20½" acero inox	303	113-1223	1	Tubería 1¼" x rosca exterior acero inox 316
301a	113-1213	1	Tubería 1¼" x 20½" acero inox 316	304	S06-189	1	Tapón cromado sólido
301b	113-1217	1	Tubería 1¼" x 12¾"	305a	131-059	1	Base pintado
301b	113-1218	1	Tubería 1¼" x 12¾" cromado	305a	131-062	1	Base acero inox
301b	113-1219	1	Tubería 1¼" x 12¾" acero inox	305a	131-079	1	Base acero inox 316
301b	113-1220	1	Tubería 1¼" x 12¾" acero inox 316	305b	131-044	1	Base cromado
302a	169-727	1	T 1¼" pintado galvanizado	340	269-915	1	Almohadilla de agarre preempaquetada

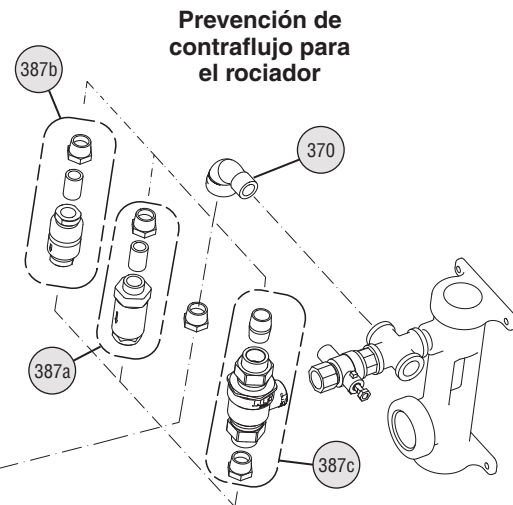
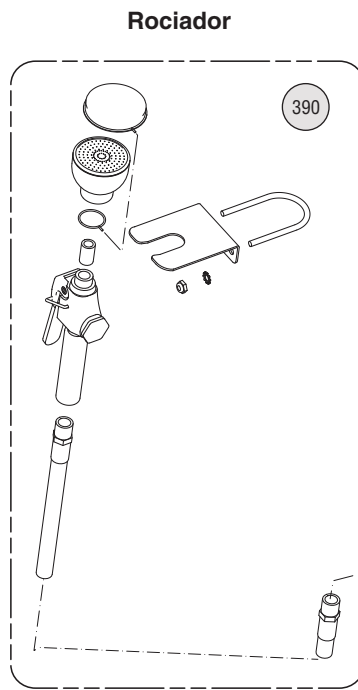
**Piezas de repuesto — Accesorios opcionales**



Art.	Pieza No.	Cant.	Descripción
370	169-025	la req.	Codo ½"
370	269-241	la req.	Codo ½" acero inox
370	269-1396	la req.	Codo ½" acero inox 316
370	169-862	la req.	Codo ½" cromado
371	113-006LG	1	Tubería ½" x cierre
371	113-867	1	Tubería ½" x cierre acier inox
371	113-1210	1	Tubería ½" x cierre acier inox 316
371	113-006AW	1	Tubería ½" x cierre cromado
372	169-838	1	T ½"
372	169-1100	1	T ½" acero inox
372	269-280	1	T ½" cromado
372	169-1099	1	T ½" acero inox 316



Art.	Pieza No.	Descripción
376	S45-1986	Válvula de protección contra congelamiento
377	S45-1989	Válvula de protección contra quemaduras



Art.	Pieza No.	Cant.	Descripción
387a	S27-303	1	Interrupción de vacío 3/8"
387b	S45-2309	1	Prevención de contraflujo N9
387c	S45-2310	1	Prevención de contraflujo 9D
390	S19-430EH	1	Rociador