



S19-671H, S19-690H and S19-788H Series Heated Portable Pressurized Eyewash Units

- 10- and 15-gallon units meet or exceed American National Standard Z358.1-2009 as an eyewash
- Can retrofit to any 5-, 10-, or 15-gallon pressurized tank with eyewash option only (without drench hose option)
- Full, One-Year Warranty

Specifications

Insulated heater jacket thermostatically controls water in weather conditions down to -10°F (-23°C). Uses a standard 120VAC grounded power cord. Unit operates by activating the large, highly visible, push handle. Highly visible, yellow insulated jacket made of 200 Denier foam-backed nylon oxford w/clear vinyl pocket for electrical connections. Eyewash yoke wrapped with heat trace cable and lined with pipe insulation for further freeze protection. Silicone rubber drum heaters have tension spring and hook fasteners.

- Heated portable pressurized eyewash units are not rated for outdoor use.

Standard Equipment

Tank Jacket and Eyewash Yoke Jacket

Highly visible yellow waterproof insulated jacket made of 200 Denier foam-backed nylon w/clear vinyl pocket.

Heaters

280-watt (5-gallon only) and 510-watt (10- and 15-gallon only) drum heaters made of silicone rubber with tension spring and hook fasteners.

Dual Thermostat

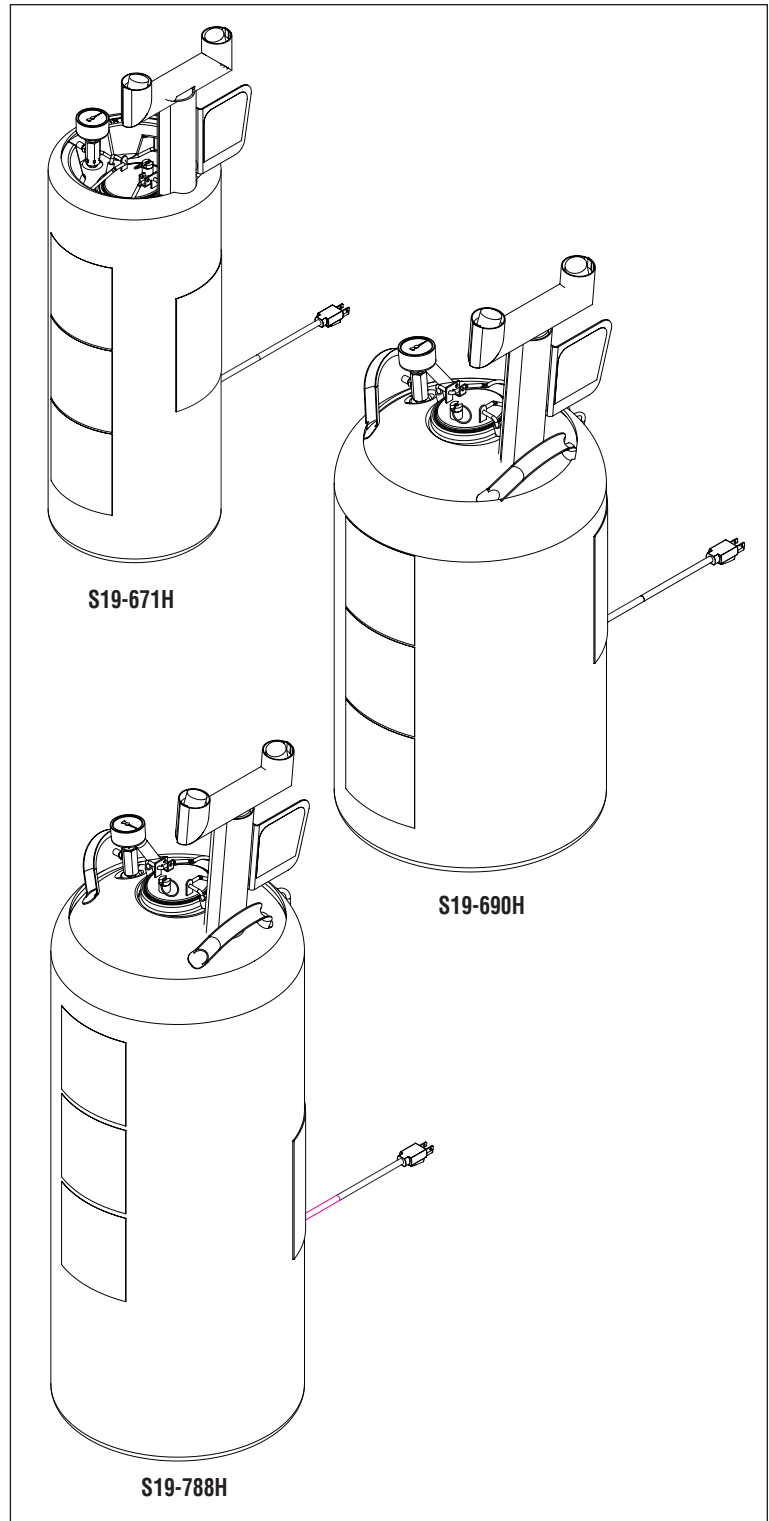
75°F +/- 5° normal operation thermostat in series with 90°F +/- 5° high limit, manually reset thermostat.

Electric Heat Trace Cable

Self-regulated to -50°F, thermal rating - 5 watts/foot, service voltage - 120VAC, amperage/wattage - .7 AMP/80 watts at 50°F unit water temperature.

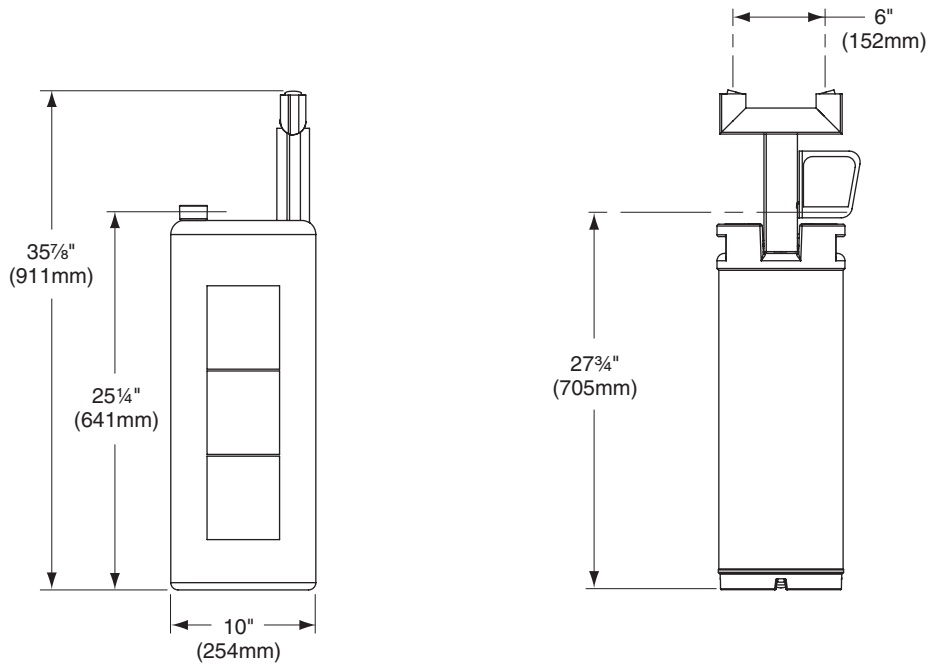
Pipe Wrap

1.5" OD pipe insulation, 3/8" thick

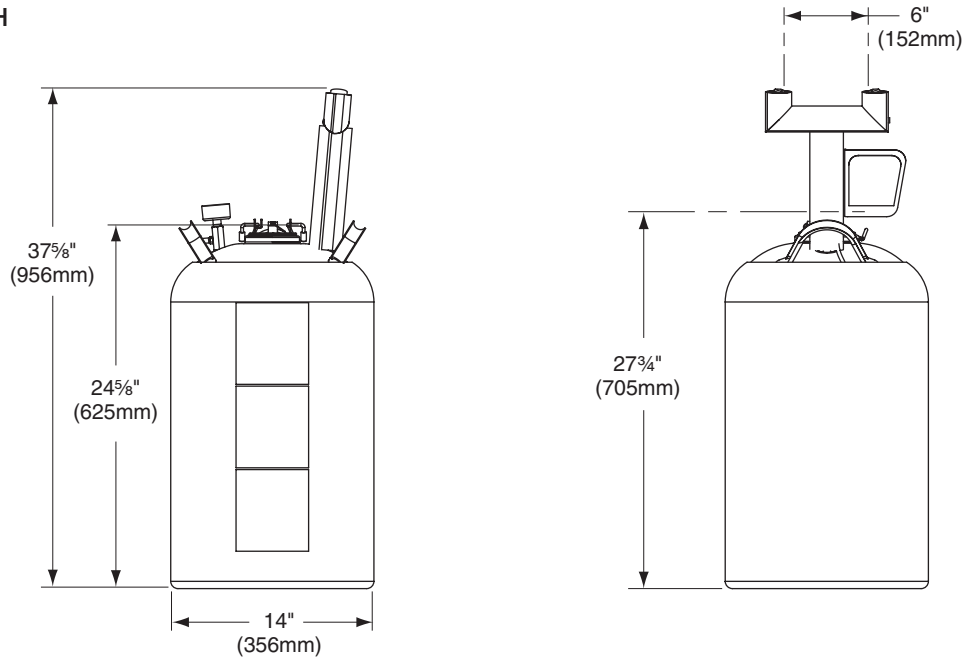


Model	Description
<input type="checkbox"/> S19-671H	Heated 5-Gallon Portable Pressurized Eyewash (Tank with Heater Jacket)
<input type="checkbox"/> S19-671HR	Heated 5-Gallon Retrofit Kit (Heater Jacket only)
<input type="checkbox"/> S19-690H	Heated 10-Gallon Portable Pressurized Eyewash (Tank with Heater Jacket)
<input type="checkbox"/> S19-690HR	Heated 10-Gallon Retrofit Kit (Heater Jacket only)
<input type="checkbox"/> S19-788H	Heated 15-Gallon Portable Pressurized Eyewash (Tank with Heater Jacket)
<input type="checkbox"/> S19-788HR	Heated 15-Gallon Retrofit Kit (Heater Jacket only)

Model S19-671H



Model S19-690H



Model S19-788H

