

# Installation

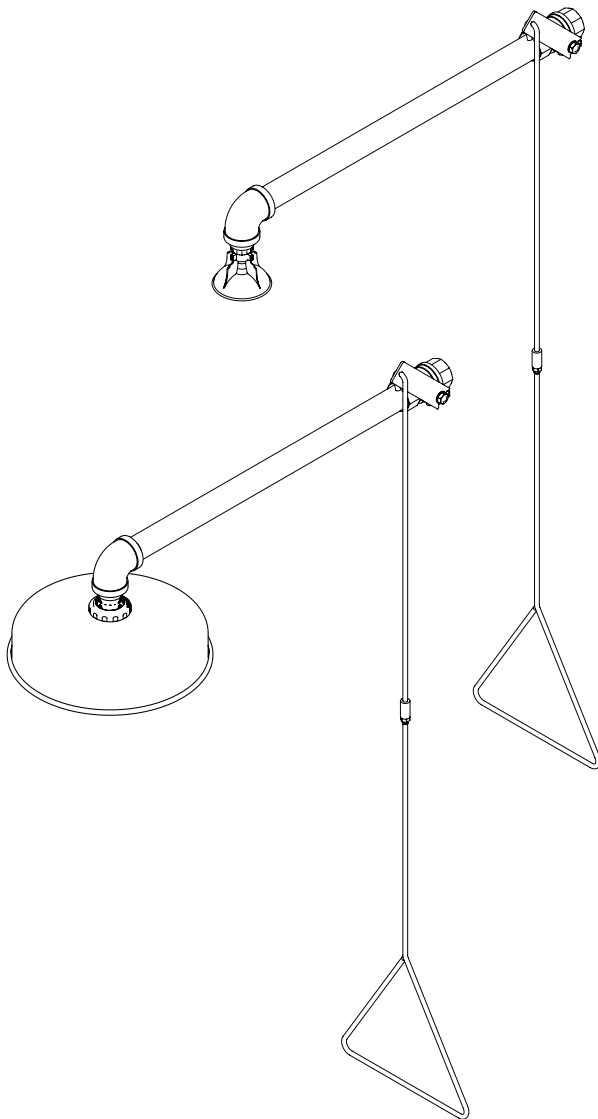
## S19-120BF

Plastic Showerhead

## S19-120ABF

Plastic Showerhead with Stainless Steel Shroud

Drench Shower - Horizontal Supply



### Table of Contents

Pre-Installation Information .....	2
Supplies Required.....	3
Assemble components.....	3
Connect water supply.....	3
Assembly of Components - S19-120BF.....	4
Parts List .....	4
Assembly of Components - S19-120ABF .....	5
Parts List .....	5



## WARNING

Flush the water supply lines before beginning installation and after installation is complete. Test the unit for leaks and adequate water flow. Main water supply to the eyewash should be "ON" at all times. Provisions shall be made to prevent unauthorized shutoff.

## CAUTION

Emergency equipment must be supplied with tepid water (60°F to 100°F/15.6°C to 37.8°C). Any prolonged exposure to near freezing water affects the body's ability to maintain body temperature, increasing the risk of hypothermia.

## NOTICE

Before installing this product, ensure that there are adequate clearances around the product and activation of the product does not interfere with other products or obstructions.

Avoid cleaners containing organic solvents, alcohols and hydrocarbons. Rinse with water after cleaning.

## IMPORTANT

The installation and location of all safety drench showers, eye and eye/face washes must comply with the requirements of ANSI/ISEA Z358.1.

Read this installation manual completely to ensure proper installation, then file it with the owner or maintenance department. Compliance and conformity to drain requirements and other local codes and ordinances is the responsibility of the installer.

Separate parts from packaging and make sure all parts are accounted for before discarding any packaging material. If any parts are missing, do not begin installation until you obtain the missing parts.

The ANSI/ISEA Z358.1 standard requires an uninterrupted supply of flushing fluid. Bradley plumbed emergency fixtures require a minimum of 30 PSI (0.21MPa) flowing pressure.

Self-closing spring-loaded valves are not UL classified to ANSI/ISEA Z358.1.

Weekly activation must be conducted on all plumbed emergency equipment to ensure a suitable flushing fluid supply is present and any sediment build-up in the supply line is cleared. Emergency equipment should be inspected monthly to address any maintenance issues ensuring the equipment is in good operating condition and that there are no signs of wear.

Workers who may come in contact with potentially hazardous materials should be trained regarding the placement and proper operation of emergency equipment per ANSI/ISEA Z358.1.

For questions regarding the operation or installation of this product, visit [www.bradleycorp.com](http://www.bradleycorp.com) or call 800-BRADLEY (272.3539).

Product warranties and parts information may also be found under "Products" on our web site at [bradleycorp.com](http://bradleycorp.com).

## Supplies Required

- Teflon tape and pipe sealant
- Piping to 1" NPT water supply inlet
- Adequate supply pipe supports
- Minimum 4" (102 mm) drain to accommodate 30 gallons (115 liters) per minute discharge for shower waste
- Sign-mounting hardware

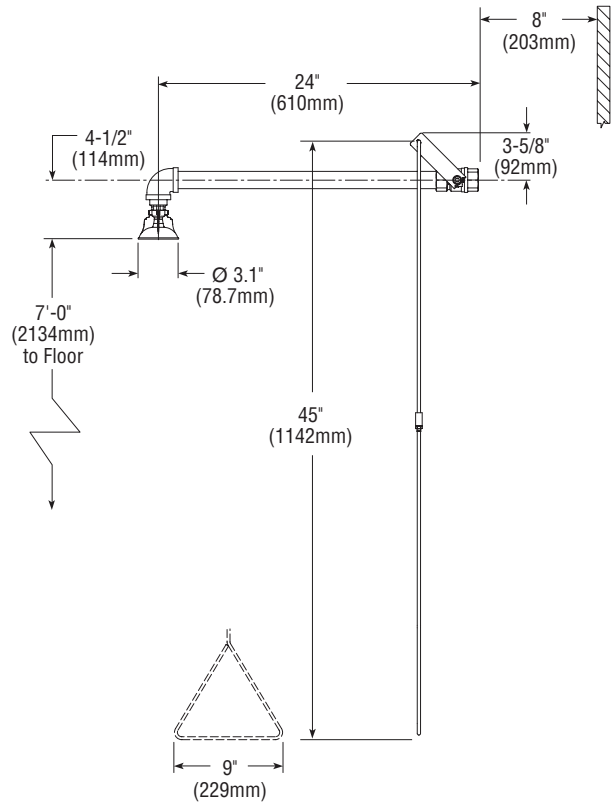
## Assemble components

1. Assemble components as shown on page 4.
2. Apply pipe sealant (supplied by installer) to all male-threaded pipe joints.
3. Thread the jam nut onto the threaded end of the pull rod. Thread the pull rod onto the coupling and tighten the jam nut. The triangular end of the pull rod must be in line with the hook end (see page 4).
4. Bottom edge of showerhead should be 7'-0" (2134 mm) from the floor.

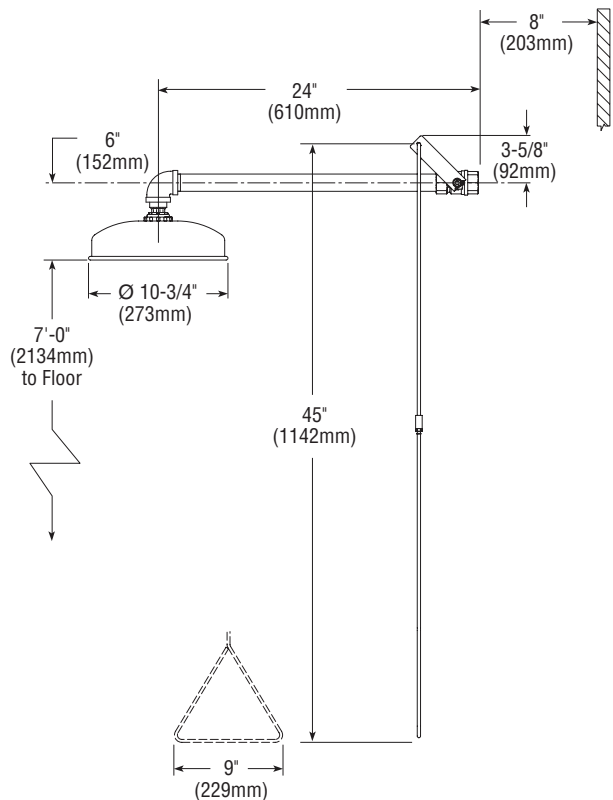
## Connect water supply

**NOTICE! Do not rely on Bradley's Drench Shower to support supply piping.**

1. Connect water supply piping to 1" NPT inlet on unit (piping supplied by installer). Provide adequate supports (supplied by installer) for supply pipe using pipe hangers or other means.
2. Mount the safety sign to the wall using sign-mounting hardware supplied by installer.

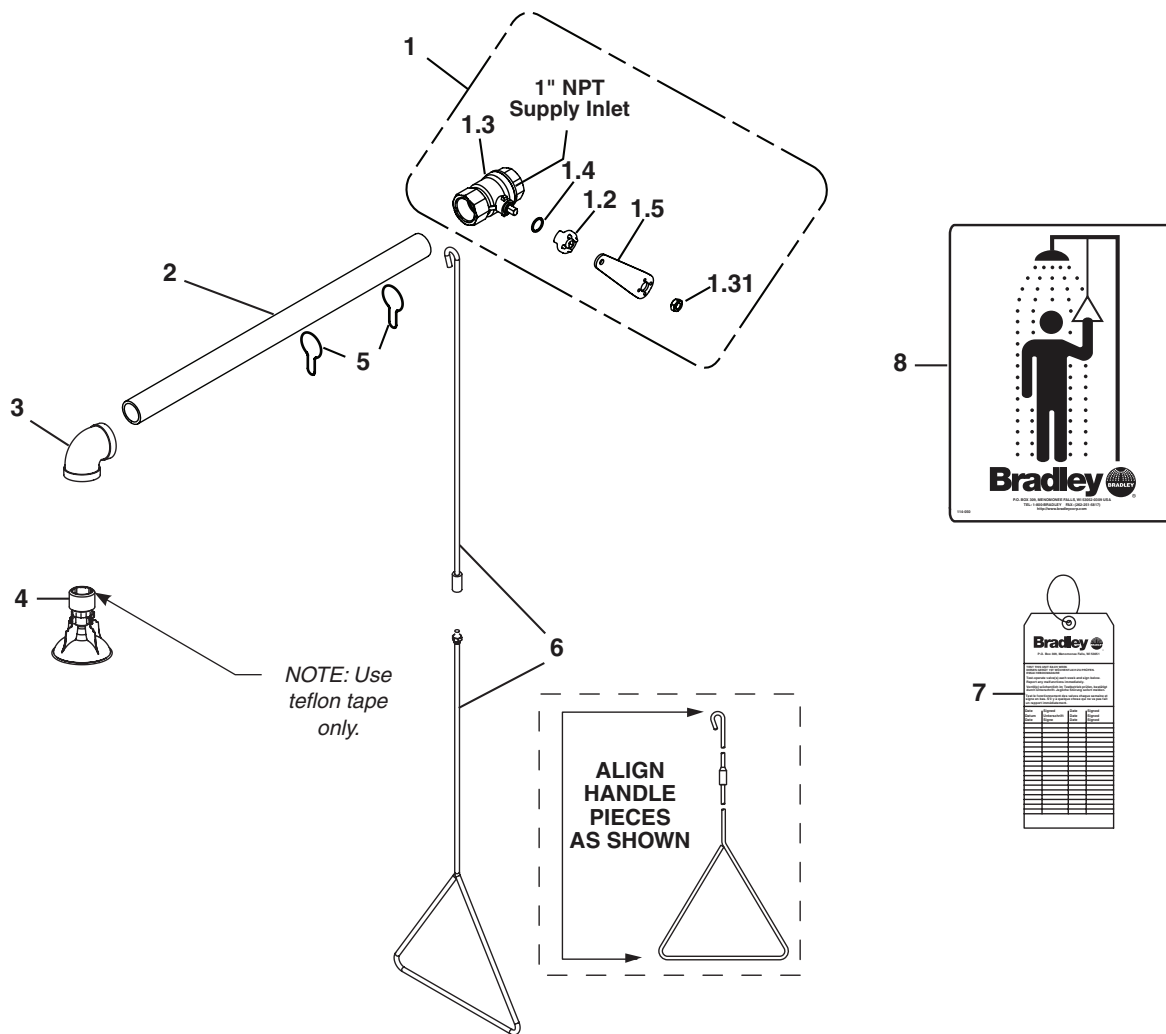


S19-120BF



S19-120ABF

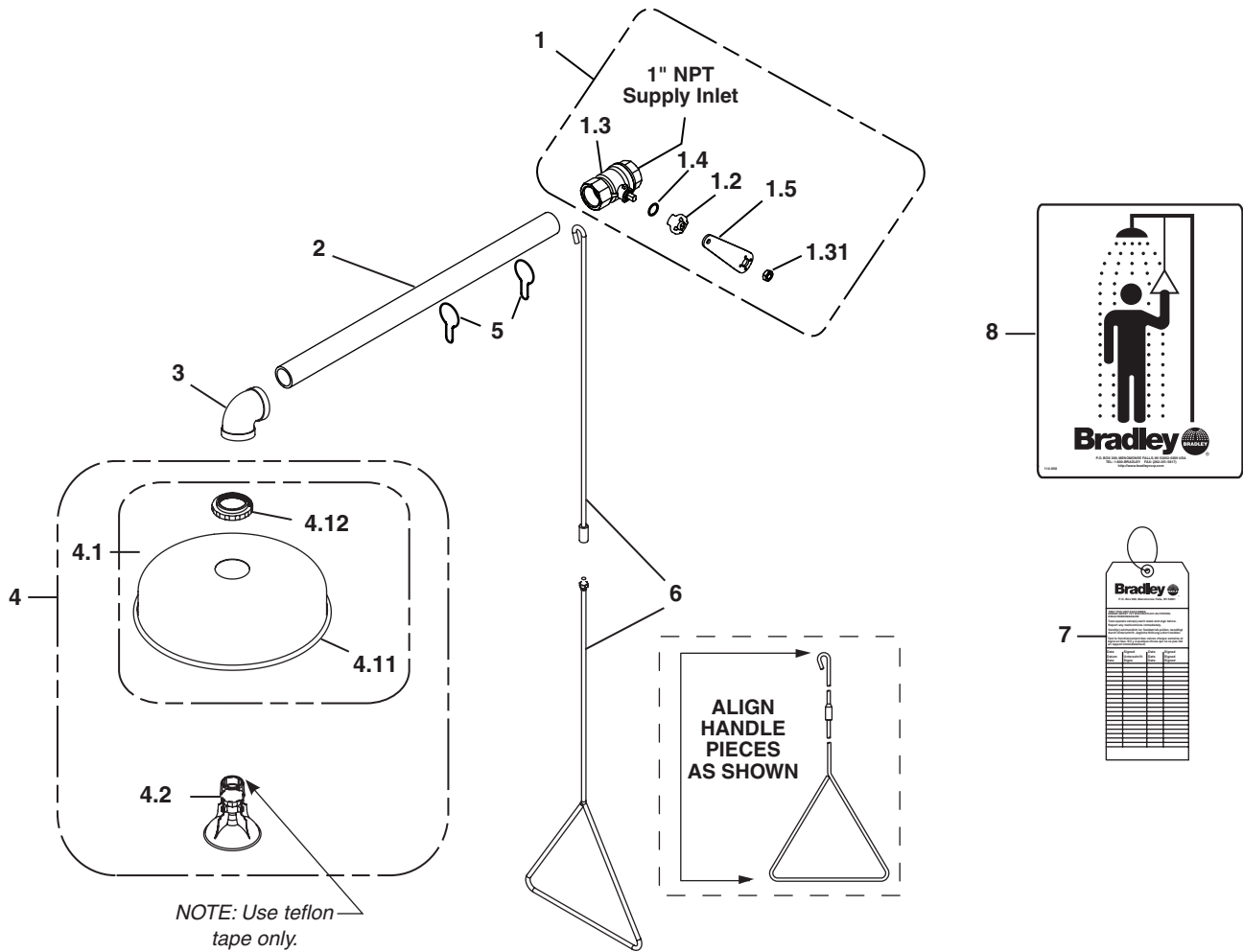
# Assembly of Components - S19-120BF



## Parts List

Item	Part No.	Qty.	Description	Item	Part No.	Qty.	Description
1	S30-059	1	1" Stay-Open Ball Valve Assembly	3	169-847	1	90° Elbow 1" NPT
1.2	124-048	1	Washer, Friction	4	S24-188	1	Plastic Showerhead Assembly
1.3	S27-278	1	1" Ball Valve with Nut	5	151-001	2	Curtain Hook
1.31	110-214	1	Jam Nut Only	6	S90-365D	1	Pull Rod, 45"
1.4	153-489	1	Adapter	6.1	161-026	1	Nut, 1/4"-20
1.5	128-201	1	Handle	7	204-421	1	Emergency Inspection Tag
2	113-006MT	1	Pipe 1" NPT x 21"	8	114-050	1	Safety Sign

# Assembly of Components - S19-120ABF



## Parts List

Item	Part No.	Qty.	Description	Item	Part No.	Qty.	Description
1	S30-059	1	1" Stay-Open Ball Valve Assembly	4.1	S24-193	1	Showerhead Shell Kit
1.2	124-048	1	Washer, Friction	4.11	187-053	1	Showerhead Shell
1.3	S27-278	1	1" Ball Valve with Nut	4.12	154-147	1	Ring
1.31	110-214	1	Jam Nut Only	4.2	S24-188	1	Plastic Showerhead Assembly
1.4	153-489	1	Adapter	5	151-001	2	Curtain Hook
1.5	128-201	1	Handle	6	S90-365D	1	Pull Rod, 45"
2	113-006MT	1	Pipe 1" NPT x 21"	6.1	161-026	1	Nut, 1/4"-20
3	169-847	1	90° Elbow 1" NPT	7	204-421	1	Emergency Inspection Tag
4	S24-189	1	Stainless Steel Showerhead Assembly	8	114-050	1	Safety Sign