



Product Materials

WASTE CHUTE: heavy gauge stainless steel with exposed surfaces in polished finish. Drawn one-piece seamless construction.

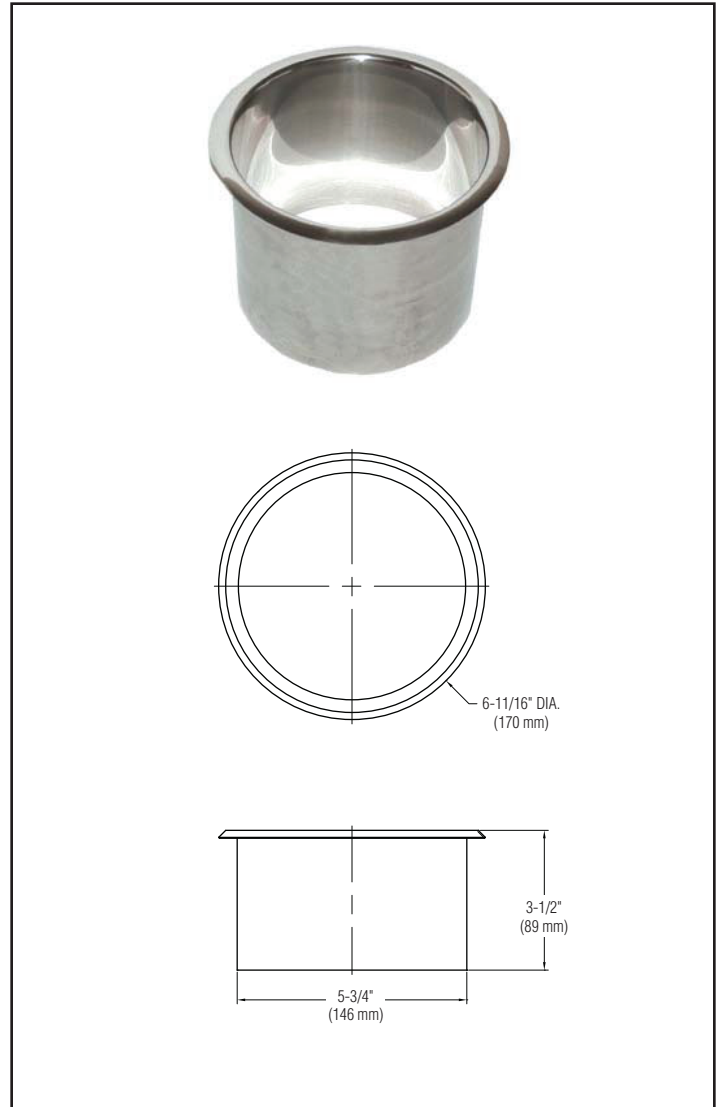
Installation

Verify all rough-in dimensions prior to installation. Countertop rough-in 6" diameter hole.

Guide Specification

Circular Waste Chute shall be fabricated of stainless steel of drawn seamless construction and bright polished finish.

Overall dimensions: 6-3/4" diameter x 3-1/2"D.



Washroom Accessories
Document No. 8958

Orders composed of products indicated as **Bradex**® will be available to ship in three days after receipt of order at the factory. There is no pricing penalty for this service from Bradley.

This information is subject to change without notice.

Always consult local and national codes for proper installation guidelines.

Conformity and compliance to local and national codes is the responsibility of the installer.

4-1-2010

© 2010 Bradley Corporation
P.O. Box 309, Menomonee Falls, WI 53052-0309
Phone: 800.BRADLEY (800.272.3539) Fax: 262.253.4161
bradleycorp.com