

Frequency frameless mirror with clip fasteners and 1/4" plate glass with polished edges:

Product Materials

MIRROR: first quality 1/4" float glass and thermosetting infrared-cured paint backing. Manufactured in accordance with ASTM C 1036 and ASTM C 1503. Edges ground and polished smooth.

Design Option Codes

Code	Description
-B	Bead blasted wave (for 30" and 60" models)
-H	High (left side)
-L	Low (left side)

Glass Option Codes

0 = 1/4" plate glass mirror w/polished edges

Installation

Verify all rough-in dimensions prior to installation. Secure mounting clips (metal) to wall with screws included, then engage mirror into clips.

Guide Specification

Frameless mirror shall be of first quality 1/4" float glass, guaranteed for 15 years against silver spoilage. Edges ground and polished smooth.

Frameless Mirror shall be Bradley Model 747W.



ADA Compliant

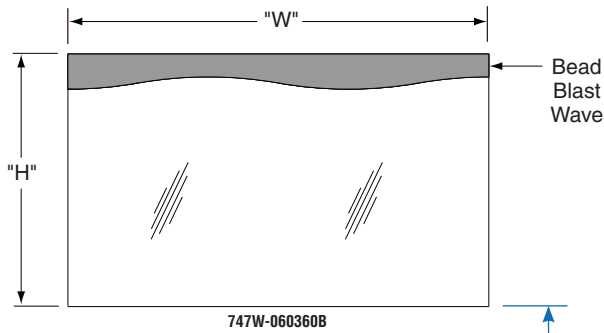
- Consult local and national accessibility codes for proper installation guidelines.
- Conformity and compliance to local and national codes is the responsibility of the installer.

Models

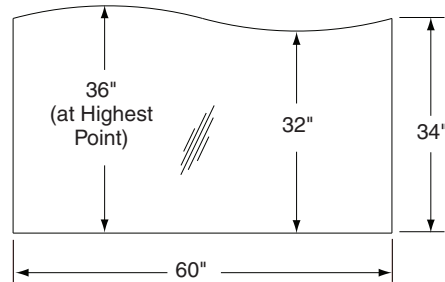
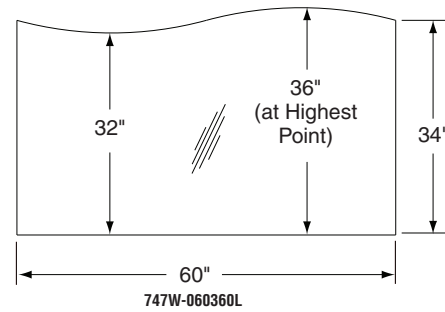
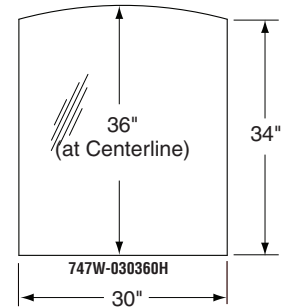
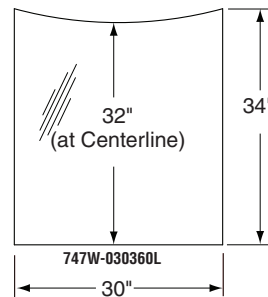
Width (Inches)	Height (Inches)	Glass Option	Design Option	Standard Model Number
30"	36"	0	B	747W-030360B
30"	36"	0	H	747W-030360H
30"	34"	0	L	747W-030360L
60"	36"	0	B	747W-060360B
60"	36"	0	H	747W-060360H
60"	36"	0	L	747W-060360L
90"	36"	0	H	747W-090360H
90"	36"	0	L	747W-090360L

**Washroom Accessories
Document No. 8737**

Dimensions



Dim. "A"
to finished
floor



Dim. "A" Key Surface:	For Dim. "A"	Bottom of Unit
Mirror's bottom edge of the reflecting surface to finished floor	40" (1016mm)	40" (1016mm)
	37" (940mm)	37" (940mm)
	34" (864mm)	34" (864mm)
Rough wall opening:		
Surface Mount:	No rough wall opening, see overall dimensions	

Washroom Accessories
Document No. 8737