

- Tank Type Horizontal **Bradex**[®]
- Surface-Mounted
- ADA Compliant

Product Materials

BODY: 20 gauge stainless steel with exposed surfaces in architectural satin finish.
BACK: 20 gauge stainless steel; welded to the body.
WALL PLATE: stainless steel.
SOAP VALVE: chrome-plated brass housing with ABS plastic mechanism.

Capacity

40-oz. liquid soap.

Operation

Push-in valve dispenses measured amount of vegetable or coconut oil liquid soaps, synthetic detergents, and antiseptic solutions with less than 5 lbs. of force. Sight gauge indicates refill time. Locked filler top opens with special key provided.

- Bradley liquid soap valves operate best with any vegetable oil or coconut oil hand soap having a 10–15% soap concentration.

Installation

Verify all rough-in dimensions prior to installation. Secure separate mounting bracket to wall. Slide dispenser into place and secure locking screw through filler hole.

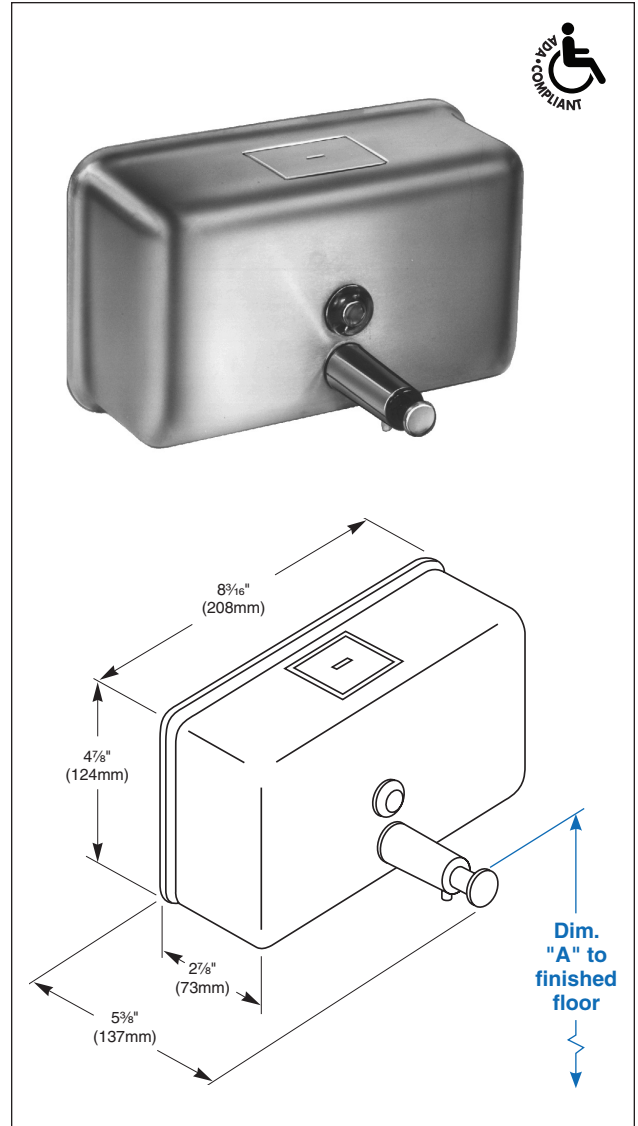
Guide Specification

Surface-mounted liquid soap dispenser shall be fabricated of 20 gauge satin finish stainless steel. Dispenser shall have completely concealed mounting, vandal-resistant filler hole cover and sight gauge. Push-in corrosion-resistant liquid soap valve. Capacity: 40-oz. liquid soap. Requires less than 5 lbs. of force to dispense soap.

Overall dimensions: 8³/₁₆"W x 4⁷/₈"H x 2⁷/₈"D.

ADA Compliant

- Consult local and national accessibility codes for proper installation guidelines.
- Conformity and compliance to local and national codes is the responsibility of the installer.



Dim. "A" Key Surface:	For Dim. "A"	Top of Unit	Bottom of Unit
Push button top to finished floor	40" (1016mm)	43 ¹ / ₄ " (1099mm)	38 ³ / ₈ " (975mm)
	38" (965mm)	41 ¹ / ₄ " (1048mm)	36 ³ / ₈ " (924mm)
	36" (914mm)	39 ¹ / ₄ " (997mm)	34 ³ / ₈ " (873mm)
	34" (864mm)	37 ¹ / ₄ " (946mm)	32 ³ / ₈ " (822mm)
Rough wall opening:			
Surface-Mount:	No rough opening, see overall dimensions		

Washroom Accessories
Document No. 8680

Orders composed of products indicated as **Bradex**[®] will be available to ship in three days after receipt of order at the factory. There is no pricing penalty for this service from Bradley.

This information is subject to change without notice.

2-28-2011

© 2011 Bradley Corporation
 P.O. Box 309, Menomonee Falls, WI 53052-0309
 Phone: 800.BRADLEY (800.272.3539) Fax: 262.253.4161
 bradleycorp.com