

- Recessed
- Contemporary Series — Satin Finish
- ADA Compliant

Product Materials

CABINET: stainless steel.

FACEPLATE: 18 gauge stainless steel. Faceplate and soap vessel form one integral piece.

SOAP VESSEL LINER: molded high impact polystyrene.

SOAP VALVE: chrome-plated brass with ABS mechanism. Requires less than 5 lbs. of force to dispense soap.

Capacity

32-oz. liquid soap.

Operation

Soap dispenser slides open for filling and cleaning. Push-in valve dispenses measured amounts of vegetable or coconut oil liquid soaps, synthetic detergents, and antiseptic solutions with less than 5 lbs. of force. Sight gauge indicates refill time. Door secured with tumbler lock.

- Bradley liquid soap valves operate best with any vegetable oil or coconut oil hand soap having a 10–15% soap concentration.

Installation

Verify all rough-in dimensions prior to installation. Requires rough wall opening 8½"W x 4½"H x 4"D. Secure to framing with mounting screws (included) at holes provided. Shim at screw points as required.

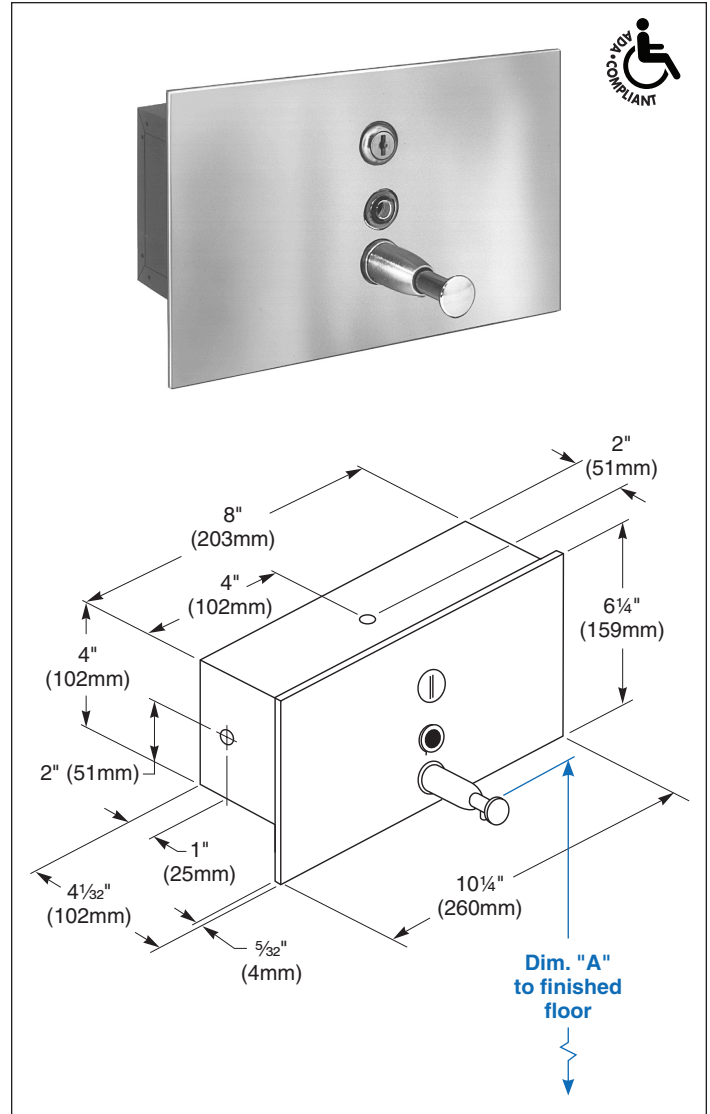
Guide Specification

Recessed liquid soap dispenser shall be fabricated of stainless steel with exposed surfaces in satin finish. Faceplate of 18 gauge stainless steel and secured by tumbler lock. Capacity: 32-oz. liquid soap.

Overall dimensions: 10¼"W x 6¼"H x 4"D.

ADA Compliant

- Consult local and national accessibility codes for proper installation guidelines.
- Conformity and compliance to local and national codes is the responsibility of the installer.



Dim. "A" Key Surface:	For Dim. "A"	Top of Rough Wall Opening	Bottom of Rough Wall Opening
Push button top to finished floor	40" (1016mm)	43" (1092mm)	38½" (978mm)
	38" (965mm)	41" (1041mm)	36½" (927mm)
	36" (914mm)	39" (991mm)	34½" (876mm)
	34" (864mm)	37" (940mm)	32½" (826mm)
Rough wall opening:			
Recessed:	8½" (216mm) Wide x 4½" (115mm) High x 4" (102mm) Deep		

Washroom Accessories
Document No. 8650