

Model 5A00 — Recessed

- Diplomat Series
- Dual Roll

Product Materials

CABINET: 0.030-inch/22ga.-(0.76 mm) gauge stainless steel with exposed surfaces in architectural satin finish. Welded construction with seamless corners and burr-free edges.

FLANGE: 0.030-inch/22ga.-(0.76 mm) gauge stainless steel with exposed surfaces in architectural satin finish. One-piece seamless construction, 5/8" wide with 1/4" return.

SERVICE DOOR: Heavy gauge stainless steel with tumbler lock keyed like other Bradley units. Hinged at bottom. Front of door has matching curvature to other Bradley Diplomat washroom accessories.

SPINDLES: molded polyethylene.

Capacity

Single-roll dispenser with roll-in-reserve.

Operation

Cabinet holds two rolls up to 4-1/2"W x 5-1/4" diameter standard core toilet tissue, one above the other. When first roll is used-up, fresh roll automatically drops down for use. Unique retaining mechanism prevents use of spare roll until first roll is completely used. Spindles non-removable by user. Hinged door permits access to storage compartment for servicing of unit.

Installation

Verify all rough-in dimensions prior to installation. Requires rough wall opening 6" W x 11-1/8"H x 4"D.

Guide Specification

Toilet Tissue Dispenser: Bradley Corp. Diplomat Series Model 5A00: Recess-mounted toilet tissue dispenser with self-trimming flange, with face formed with contemporary contours, radii, and finish matching related accessories in manufacturer's designer series. Single roll up to 5-1/4" diameter in standard roll dispenser with drop-down roll-in-reserve; rolls mounted on non-removable molded polyethylene spindles. Equipped with bottom-hinged service door with keyed tumbler lock. Universal keying. Formed from stainless steel sheet with satin finish on exposed surfaces, fully welded, with seamless corners and burr-free edges: cabinet, flange, and door 0.030-inch / 22-ga. thick.

Overall dimensions: 6 7/8"W x 12 1/8"H x 6 3/16"D



MasterFormat Title: Commercial Toilet Accessories

MasterFormat Number: 10 28 13.13

OmniClass Title: Toilet and Bath Specialties

OmniClass Code: 23.31.25.00

ADA Compliant

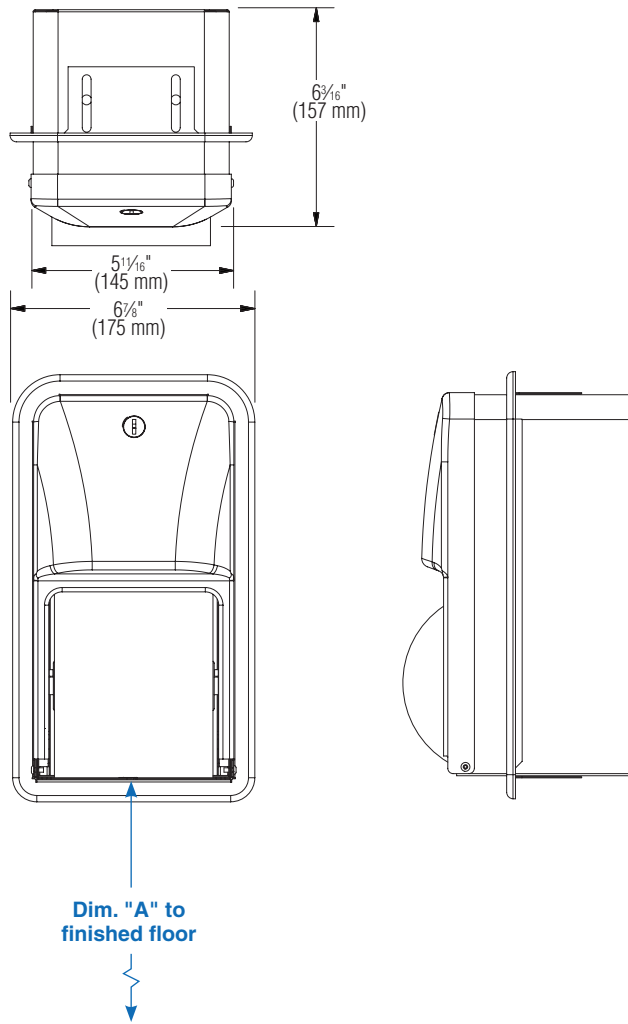
- Consult local and national accessibility codes for proper installation guidelines.
- Conformity and compliance to local and national codes is the responsibility of the installer.

For information on Warranties, Maintenance and BAA/ARRA Compliance, visit our web site at:
bradleycorp.com/products/accessories/.

Washroom Accessories
Document No. 9415

Dimensions

(mm)



Dim. "A" Key Surface:	For Dim. "A"	Top of Rough Wall Opening	Bottom of Rough Wall Opening
Bottom of toilet paper opening to finished floor	20" (508mm)	31 1/4" (794mm)	20 1/8" (511mm)
	19" (483mm)	30 1/4" (768mm)	19 1/8" (486mm)
	18" (457mm)	29 1/4" (743mm)	18 1/8" (460mm)
	17" (432mm)	28 1/4" (718mm)	17 1/8" (435mm)
	16" (406mm)	27 1/4" (692mm)	16 1/8" (410mm)
	15" (381mm)	26 1/4" (667mm)	15 1/8" (384mm)

Washroom Accessories
Document No. 9415