

- Model 5241 — Bradex®**
- Controlled Delivery — Rocking Action**
- Dual Roll (For Single Roll see Model 5071)**

Product Materials

BRACKET: diecast aluminum.

SPINDLE: gray polystyrene. Stainless steel spring.

Capacity

Two standard core toilet tissue rolls through 5½" in diameter.

Operation

Remove tissue roll core to access special vandal-resistant locking mechanism for servicing. Stops on spindle control paper delivery. Spindle revolves only ½ turn for each dispensing operation and returns to original position.

Installation

Verify all rough-in dimensions prior to installation. Secure to wall with mounting screws (included) at holes provided.

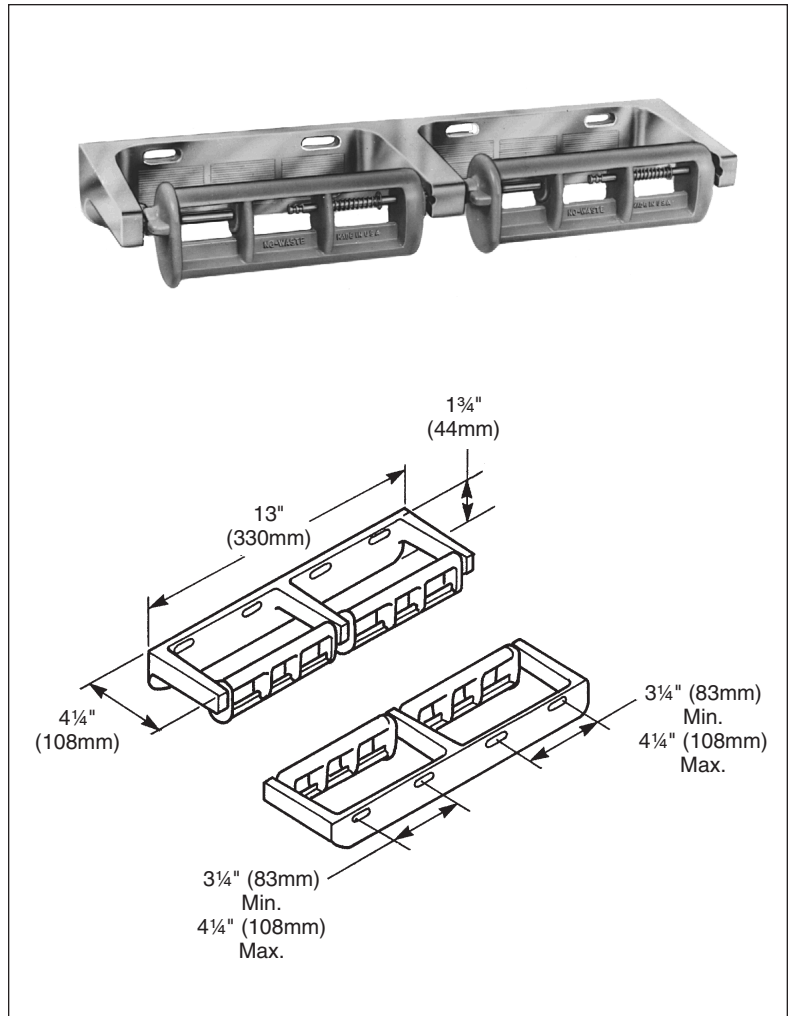
Optional Features

Feature	Suffix
<input type="checkbox"/> Non-controlled delivery Bradex®	-50

Guide Specification

Surface-mounted toilet tissue dispenser shall be diecast aluminum with satin finish and hold two standard core toilet tissue rolls. Stops control paper delivery.

Overall dimensions: 13"W x 1¾"H x 4¼"D.



Washroom Accessories
Document No. 8520

Orders composed of products indicated as **Bradex®** will be available to ship in three days after receipt of order at the factory. There is no pricing penalty for this service from Bradley.

This information is subject to change without notice.

Always consult local and national codes for proper installation guidelines.

Conformity and compliance to local and national codes is the responsibility of the installer.

12/6/2012

© 2012 Bradley
P.O. Box 309, Menomonee Falls, WI 53052-0309
Phone: 800.BRADLEY (800.272.3539) Fax: 262.253.4161
bradleycorp.com