

### Model 5127 — **Bradex**<sup>®</sup>

- Recessed
- Hinged Hood
- Non-Controlled Delivery
- Dual Roll

### Product Materials

**HOUSING AND HOODS:** bright polished stainless steel.

**SPINDLES:** chrome-plated plastic.

### Capacity

Two standard core toilet tissue rolls through 5½" in diameter.

### Operation

Concealed spring permits spindle to telescope for servicing. Spindle turns freely for non-controlled delivery. Hinged hood prevents unintentional unraveling while keeping top tissue surface clean. Hinged hood is not removable.

### Installation

Verify all rough-in dimensions prior to installation. Requires rough wall opening 5½"W x 11¼"H x 3"D. Secure to framing with mounting screws (included) at holes provided. Shim at screw points as required.

### Guide Specification

Recessed roll toilet tissue dispenser with hinged hood shall be bright polished stainless steel and hold two standard core toilet tissue rolls.

**Overall dimensions: 6½"W x 12¼"H x 3"D.**

### ADA Compliant

- Consult local and national accessibility codes for proper installation guidelines.
- Conformity and compliance to local and national codes is the responsibility of the installer.



**Washroom Accessories  
Document No. 8491**

Orders composed of products indicated as **Bradex**<sup>®</sup> will be available to ship in three days after receipt of order at the factory. There is no pricing penalty for this service from Bradley.

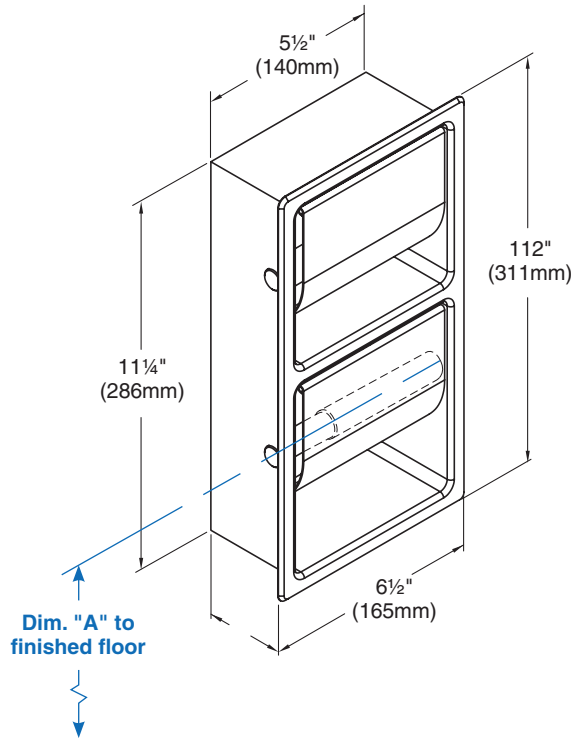
Page 1 of 2

This information is subject to change without notice.

1-18-2011

© 2011 Bradley Corporation  
P.O. Box 309, Menomonee Falls, WI 53052-0309  
Phone: 800.BRADLEY (800.272.3539) Fax: 262.253.4161  
bradleycorp.com

**Dimensions**



| <b>Dim. "A" Key Surface:</b>   | For Dim. "A"  | Top of Rough Wall Opening | Bottom of Rough Wall Opening |
|--|---|---------------------------|------------------------------|
| Centerline of spindle (lower) to finished floor (bottom edge of paper roll 3" below centerline of spindle) | 23" (584mm)   | 31 1/4" (794mm)           | 20" (508mm)                  |
|  | 22" (559mm)   | 30 1/4" (768mm)           | 19" (483mm)                  |
|  | 21" (533mm)   | 29 1/4" (743mm)           | 18" (457mm)                  |
|  | 20" (508mm)   | 28 1/4" (718mm)           | 17" (432mm)                  |
|  | 19" (483mm)   | 27 1/4" (692mm)           | 16" (406mm)                  |
|  | 18" (457mm)   | 26 1/4" (667mm)           | 15" (381mm)                  |
| <b>Rough wall opening:</b>   |   |                           |                              |
| Recessed:  | 5 1/2" (140mm) Wide x 11 1/4" (286mm) High x 3" (77mm) Deep |                           |                              |

**Washroom Accessories  
Document No. 8491**

Orders composed of products indicated as **Bradex**® will be available to ship in three days after receipt of order at the factory. There is no pricing penalty for this service from Bradley.

Page 2 of 2

This information is subject to change without notice.

1-18-2011

© 2011 Bradley Corporation  
P.O. Box 309, Menomonee Falls, WI 53052-0309  
Phone: 800.BRADLEY (800.272.3539) Fax: 262.253.4161  
bradleycorp.com