

Model 428 — Surface-Mounted

Standard Series — Satin Finish

Product Materials

CABINET: 22 gauge stainless steel with exposed surfaces in architectural satin finish. Welded construction with burr-free edges.

DOOR: 18 gauge stainless steel with exposed surfaces in architectural satin finish, with full length piano hinge and two tumbler locks keyed like other Bradley units.

COIN BOX: inside cabinet is 22 gauge stainless steel, secured by a separate lock keyed differently than door locks. Coin mechanisms are available with free, \$.10, \$.25, \$.50, \$1.00, €.50, or Canadian Loonie denomination. Two mechanisms are included. Coin mechanisms may be replaced in the field without removing cabinet from wall.

PUSH FLAP DOOR: 22 gauge stainless steel with exposed surfaces in architectural satin finish. Heavy-duty stainless steel piano hinge.

WASTE RECEPTACLE INSERT: leakproof molded plastic. Waxed paper liner included.

Capacity

30 napkins (3" x 4¼" x 1" or smaller) and 28 tampons (5½" long x ¾" diameter or smaller). Dispenses all popular brands. Waste receptacle: 1.5 gal (0.2 cu. ft.)

Operation

Insertion of coin permits clockwise rotation of handle to dispense product. Will not accept coin when vendor is empty. Access door allows servicing of unit.

Installation

Verify all rough-in dimensions prior to installation. Secure cabinet to wall with screws (not included) at holes provided.

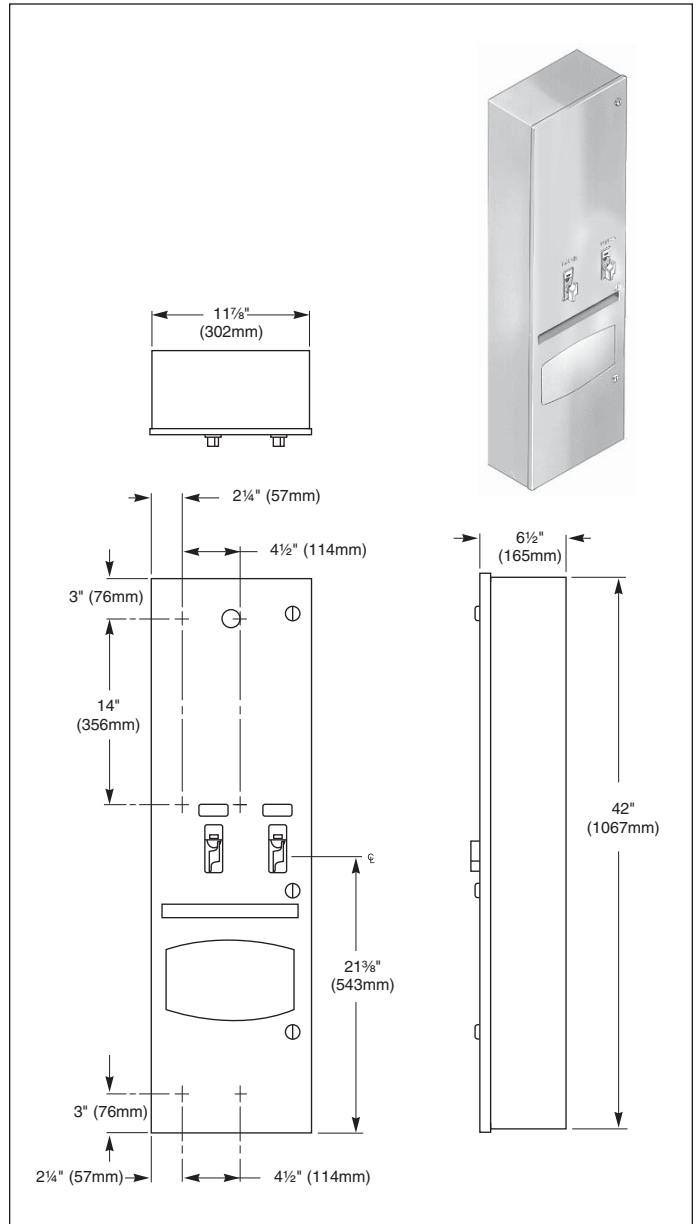
Select Model

Currency	Description	Suffix
<input type="checkbox"/> US	Free	-40
<input type="checkbox"/> US	10¢	-42
<input type="checkbox"/> US	25¢	-45
<input type="checkbox"/> US	50¢	-43
<input type="checkbox"/> US	\$1.00	-44
<input type="checkbox"/> Foreign	Canadian Loonie	
<input type="checkbox"/> Foreign	€ .50	-E43

**Washroom Accessories
Document No. 8375**

This information is subject to change without notice.
Always consult local and national codes for proper installation guidelines.
Conformity and compliance to local and national codes is the responsibility of the installer.

11-30-2011



Guide Specification

Surface-mounted combination napkin/tampon vendor and disposal shall be fabricated of 22 gauge stainless steel with exposed surfaces in satin finish. Door shall be fabricated of 18 gauge stainless steel with a full-length piano hinge and two tumbler locks keyed like other Bradley units. Two coin mechanisms shall permit dispensing thirty napkins and twenty-eight tampons and be available with free, \$.10, \$.25, \$.50, \$1.00, €.50, or Canadian Loonie denomination. Self-closing push flap door secured by piano hinge. Removable molded plastic receptacle.

© 2011 Bradley Corporation
P.O. Box 309, Menomonee Falls, WI 53052-0309
Phone: 800.BRADLEY (800.272.3539) Fax: 262.253.4161
bradleycorp.com