

**Model 355 — Surface-Mounted**

20.6-Gallon Capacity

**Product Materials**

**RECEPTACLE:** 22 gauge stainless steel with exposed surfaces in architectural satin finish. All welded construction with rounded front corners.

**LINER:** (optional) heavy-duty stitched vinyl-coated nylon.

**HINGED COVER:** (optional) 22 gauge stainless steel with exposed surfaces in architectural satin finish. Heavy-duty stainless steel piano hinge.

**PUSH FLAP DOOR:** (optional) 22 gauge stainless steel with exposed surfaces in architectural satin finish. Heavy-duty stainless steel piano hinge. Self-closing flap door is embossed PUSH.

**Capacity**

20.6 gal. (2.8 cu. ft.)

**Operation**

Optional vinyl liner is attached to receptacle with hook-and-loop fasteners, easily removed for servicing.

**Installation**

Verify all rough-in dimensions prior to installation. Secure to wall with mounting screws (included) at holes provided.

**Optional Features**

Feature	Suffix
<input type="checkbox"/> Hinged cover	-35
<input type="checkbox"/> Hinged cover with push flap door	-65
<input type="checkbox"/> Vinyl Liner Part #P11-005	

**Guide Specification**

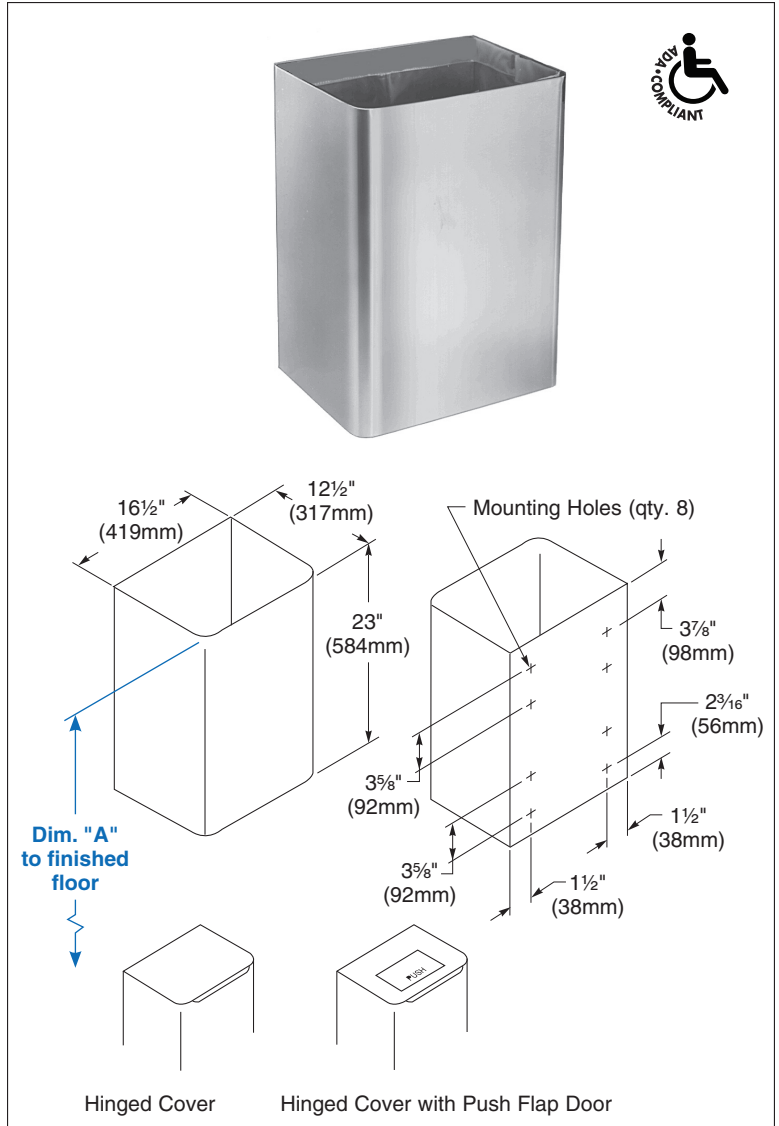
Surface-mounted waste receptacle with hinged cover shall be fabricated of stainless steel with seamless exposed surfaces in satin finish. Model 355-65 has push flap door. Reuseable heavy-duty vinyl liner (optional). Capacity is 20.6 gal.

**Overall dimensions: 16½"W x 23"H x 12½"D.**

 **ADA Compliant**

- Consult local and national accessibility codes for proper installation guidelines.
- Conformity and compliance to local and national codes is the responsibility of the installer.

**Washroom Accessories**  
Document No. 8310



Dim. "A" Key Surface:	For Dim. "A"	Top of Unit	Bottom of Unit
Waste receptacle top lip to finished floor	36" (914mm)	36" (914mm)	13" (330mm)
	32" (813mm)	32" (813mm)	9" (229mm)
	28" (711mm)	28" (711mm)	5" (127mm)
<b>Rough wall opening:</b>			
Surface Mount:	No rough wall opening, see overall dimensions		