

- Model 346 — Recessed**
(Waste container projects 2³/₄")
- Model 346-10 — Semi-Recessed**
(recesses 4"; projects 4³/₄")
- Model 346-11 — Surface-Mounted**
(projects 8³/₄")
- Standard Series — Satin Finish
- 12-Gallon Capacity

Product Materials

FLANGE: 22 gauge stainless steel with exposed surfaces in architectural satin finish. One-piece seamless construction, 1" wide with 1/4" return.

CABINET: heavy gauge stainless steel. All welded construction.

WASTE CONTAINER: 22 gauge stainless steel. All welded construction. Secured to cabinet with tumbler lock keyed like other Bradley units.

LINER: (optional) heavy-duty stitched vinyl-coated nylon.

HINGED COVER: (optional) 22 gauge stainless steel with exposed surfaces in architectural satin finish. Heavy-duty stainless steel piano hinge.

PUSH FLAP DOOR: (optional) 22 gauge stainless steel with exposed surfaces in architectural satin finish. Heavy-duty stainless steel piano hinge. Self-closing flap door is embossed PUSH.

Capacity

12 gal. (1.6 cu. ft.)

Operation

Receptacle removable for servicing by unlocking waste container.

Installation

Verify all rough-in dimensions prior to installation. Recessed unit requires rough wall opening 15⁵/₈"W x 29¹/₈"H x 6"D (Semi-recessed unit only 4" deep). Secure to framing with mounting screws (included) at holes provided. Shim at screw points as required.

Guide Specification

Recessed waste receptacle shall be fabricated of heavy gauge stainless steel with seamless exposed surfaces in satin finish. Removable 12-gal. stainless steel waste receptacle. Heavy-duty vinyl liner is optional. Receptacle secured to cabinet with tumbler lock.

Overall dimensions: 17¹/₈"W x 30³/₈"H x 8³/₄"D.



Optional Features

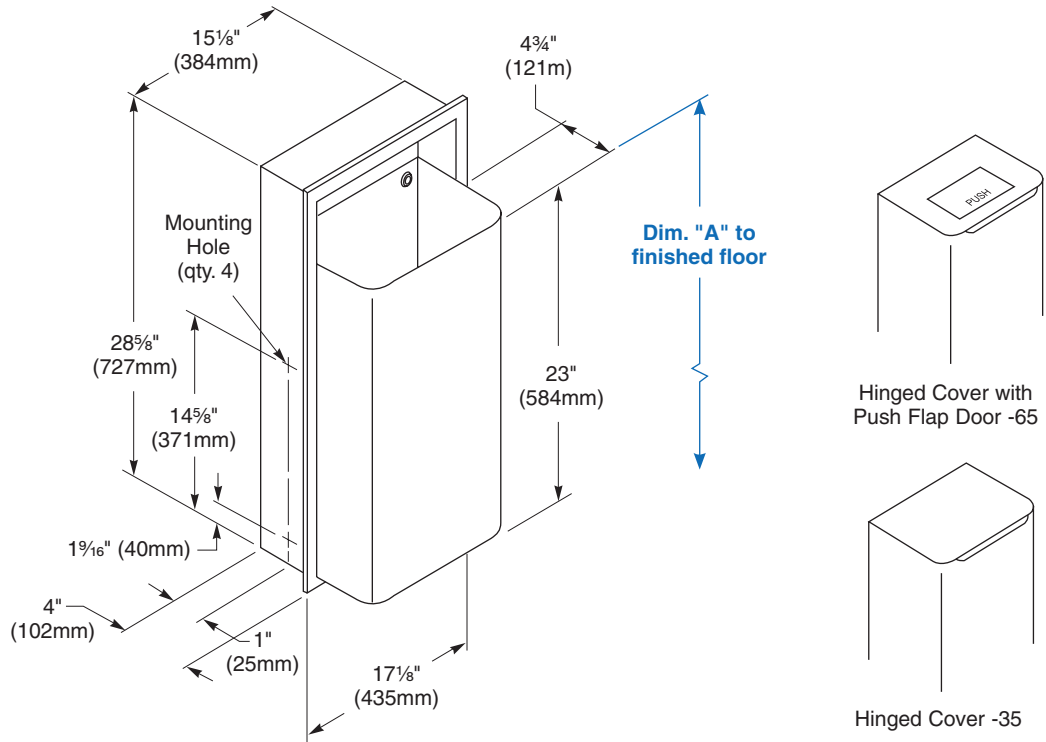
Feature	Suffix
<input type="checkbox"/> Hinged cover	-35
<input type="checkbox"/> Hinged cover with push flap door	-65
<input type="checkbox"/> Vinyl Liner Part #P11-004	

ADA Compliant

- Consult local and national accessibility codes for proper installation guidelines.
- Conformity and compliance to local and national codes is the responsibility of the installer.

Washroom Accessories
Document No. 8305

Dimensions



Dim. "A" Key Surface:	For Dim. "A"	Top of Rough Wall Opening	Bottom of Rough Wall Opening
Waste receptacle top lip to finished floor	36" (914mm)	41 3/4" (1060mm)	12 5/8" (321mm)
	32" (813mm)	37 3/4" (959mm)	8 5/8" (219mm)
	28" (711mm)	33 3/4" (857mm)	4 5/8" (117mm)
Rough wall opening:			
Surface Mount:	No rough opening, see overall dimensions		
Recessed:	15 5/8" (397mm) Wide x 29 1/8" (740mm) High x 6" (152mm) Deep		
Semi-Recessed:	15 5/8" (397mm) Wide x 29 1/8" (740mm) High x 4" (102mm) Deep		

Washroom Accessories
Document No. 8305