

- Model 3157 — Recessed**
- Model 3157-10 — Semi-Recessed (recesses 3", projects 3<sup>3</sup>/<sub>4</sub>")**
- Model 3157-11 — Surface Mounted (projects 6<sup>3</sup>/<sub>4</sub>")**
- Contemporary Series — Satin Finish**
- 9.2-Gallon Capacity**

### Product Materials

**CABINET:** 22 gauge stainless steel with exposed surfaces in architectural satin finish. Welded construction with seamless corners and burr-free edges.

**DOOR:** 18 gauge stainless steel. 1/2" return for maximum rigidity. Concealed full-length stainless steel piano hinge and two tumbler locks keyed like other Bradley units.

**WASTE RECEPTACLE INSERT:** leakproof molded plastic.

**PUSH FLAP DOOR:** 22 gauge stainless steel with exposed surfaces in architectural satin finish. Heavy duty stainless steel piano hinge.

### Capacity

9.2 gal. (1.24 cu. ft.)

### Operation

Waste receptacle insert removable by unlocking cabinet door.

### Installation

Verify all rough-in dimensions prior to installation. Recessed unit requires rough wall opening 12<sup>1</sup>/<sub>2</sub>"W x 47<sup>1</sup>/<sub>2</sub>"H x 6<sup>1</sup>/<sub>2</sub>"D (Semi-recessed unit only 3" deep). Secure to framing with mounting screws (included) at holes provided. Shim at screw points as required.

### Guide Specification

Recessed waste receptacle shall be fabricated of heavy gauge stainless steel with exposed surfaces in satin finish. Cabinet door of 18 gauge stainless steel with full-length piano hinge and secured by tumbler lock. Removable 9.2-gal. leakproof molded plastic insert for waste receptacle.

**Overall dimensions: 14<sup>1</sup>/<sub>4</sub>"W x 49<sup>1</sup>/<sub>4</sub>"H x 6<sup>3</sup>/<sub>4</sub>"D.**

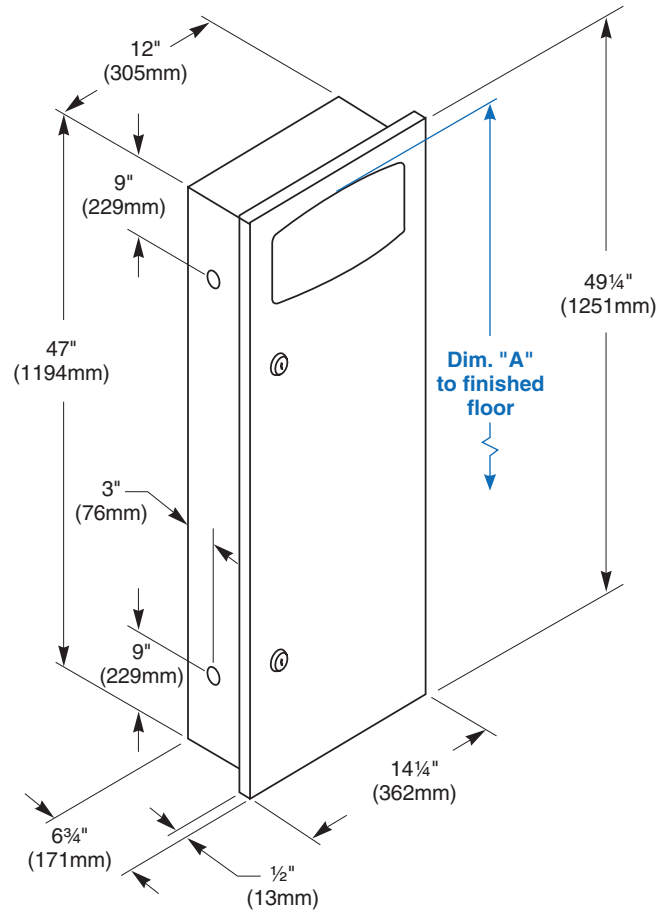
### ADA Compliant

- Consult local and national accessibility codes for proper installation guidelines.
- Conformity and compliance to local and national codes is the responsibility of the installer.



**Washroom Accessories  
Document No. 8270**

**Dimensions**



<b>Dim. "A" Key Surface:</b>	For Dim. "A"	Top of Rough Wall Opening	Bottom of Rough Wall Opening
Top of door (6 <sup>7</sup> / <sub>8</sub> " door opening) to finished floor	50" (1270mm)	51" (1295mm)	3 <sup>1</sup> / <sub>2</sub> " (89mm)
	48" (1219mm)	49" (1245mm)	1 <sup>1</sup> / <sub>2</sub> " (38mm)
<b>Rough wall opening:</b>			
Surface Mount:	No rough opening, see overall dimensions		
Recessed:	12 <sup>1</sup> / <sub>2</sub> " (318mm) Wide x 47 <sup>1</sup> / <sub>2</sub> " (1207mm) High x 6 <sup>1</sup> / <sub>2</sub> " (166mm) Deep		
Semi-Recessed:	12 <sup>1</sup> / <sub>2</sub> " (318mm) Wide x 47 <sup>1</sup> / <sub>2</sub> " (1207mm) High x 3" (76mm) Deep		

**Washroom Accessories**  
Document No. 8270