

- Model 2A00 — Recessed**
(recesses 3-13/16"; projects 2-3/4")
- Model 2A00-10 — Semi-Recessed**
(recesses 2"; projects 4-9/16")
- Diplomat Series
- Folded Paper Towels

Product Materials

CABINET: 0.030-inch/22ga.-(0.76 mm) stainless steel with exposed surfaces in architectural satin finish.

FLANGE: 0.030-inch/22ga.-(0.76 mm) stainless steel with exposed surfaces in architectural satin finish. One-piece seamless construction, 1" wide with 1/4" return.

DOOR: 0.036-inch/20ga.-(0.92 mm) stainless steel with full length piano hinge and tumbler lock keyed like other Bradley units. Front of door has matching curvature to other Bradley Diplomat washroom accessories.

TOWEL DISPENSER: 0.030-inch/22ga.-(0.76 mm) stainless steel. Rolled edge on dispenser opening, hemmed edges.

Capacity

800 multi fold or 600 C-fold paper towels.

Operation

Towel dispenser holds multi-fold or C-fold towels without use of special adapter.

Installation

Verify all rough-in dimensions prior to installation. Recessed unit requires rough wall opening 15-1/2" W x 29-1/8"H x 4"D (Semi-recessed unit only 3-1/2"D). Secure to framing with mounting screws (not included) at holes provided. Shim at screw points as required.

Guide Specification

Folded paper towel dispenser in [recessed] [semi-recessed] wall cabinet. Towel dispenser door formed with contemporary contours, radii, and finish matching related accessories in manufacturer's designer series. Towel dispenser capacity 800 multi-fold or 600 C-fold paper towels, accessed with hinged service door with keyed tumbler lock. Dispenses using less than 5 lbs. of force. Universal keying. Formed from stainless steel sheet with satin finish on exposed surfaces, fully welded, with seamless corners and burr-free edges: cabinet and flange 0.030-inch / 22-ga. thick; door 0.036-inch / 20-ga. thick.

Overall dimensions: 17-1/8"W x 30-5/8"H x 6-9/16"D.

MasterFormat Title: Commercial Toilet Accessories

MasterFormat Number: 10 28 13.13

OmniClass Title: Toilet and Bath Specialties

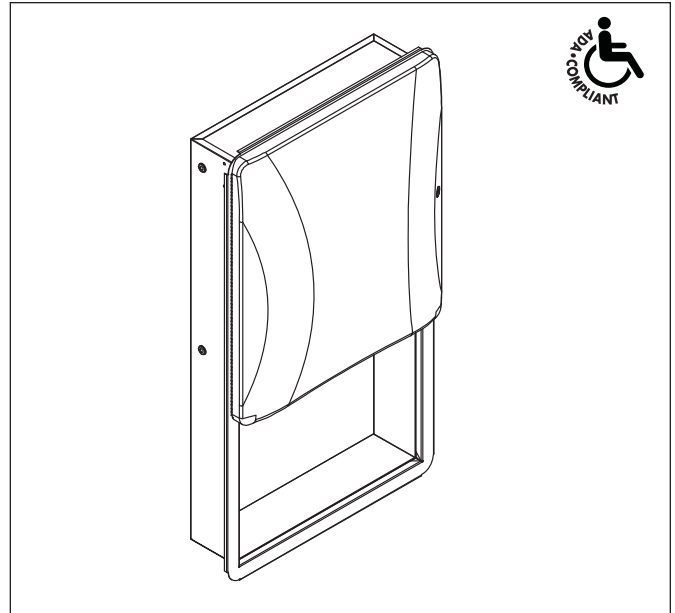
OmniClass Code: 23.31.25.00

**Washroom Accessories
Document No. 9403**

Page 1 of 2

This information is subject to change without notice.

Always consult local and national codes for proper installation guidelines. Conformity and compliance to local and national codes is the responsibility of the installer.

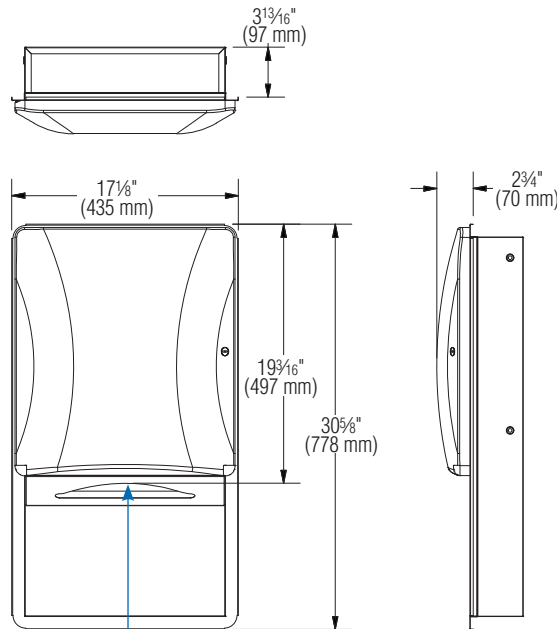


ADA Compliant

- Consult local and national accessibility codes for proper installation guidelines.
- Conformity and compliance to local and national codes is the responsibility of the installer.

For information on Warranties, Maintenance and BAA/ARRA Compliance, visit our web site at:
bradleycorp.com/products/accessories.

Dimensions



Dim. "A" to
finished floor



Dim. "A" Key Surface:	For Dim. "A"	Locate Top of Rough Wall Opening	Locate Bottom of Rough Wall Opening
Paper towel top of opening to finished floor	48" (1219mm)	66 $\frac{1}{4}$ " (1683mm)	37 $\frac{1}{8}$ " (943mm)
	45" (1143mm)	63 $\frac{1}{4}$ " (1607mm)	34 $\frac{1}{8}$ " (867mm)
	42" (1067mm)	60 $\frac{1}{4}$ " (1530mm)	31 $\frac{1}{8}$ " (791mm)
	40" (1016mm)	58 $\frac{1}{4}$ " (1480mm)	29 $\frac{1}{8}$ " (740mm)

Washroom Accessories
Document No. 9403

Page 2 of 2

This information is subject to change without notice.

Always consult local and national codes for proper installation guidelines.

Conformity and compliance to local and national codes is the responsibility of the installer.

5-3-2011

© 2011 Bradley Corporation
P.O. Box 309, Menomonee Falls, WI 53052-0309
Phone: 800.BRADLEY (800.272.3539) Fax: 262.253.4161
bradleycorp.com