

□ Model 2494 — Surface-Mounted with Sensor Activation **Bradex**[®]

Product Materials

UNIT: Constructed of high impact material. Door is translucent, and fabricated from durable high-impact plastic.

Capacity

Dispenses non-perforated roll towels up to 8" in diameter and 8" wide with core sizes from 1½"–2". Dispenser also allows for 3" diameter stub roll.

Operation

Towels are dispensed automatically when hands are placed at a natural position below the dispenser. Sheet length is adjustable with up to three different sizes to choose from. Operates with 4 "D" size alkaline batteries. Batteries are not included. Automatic transfer system will integrate stub roll when the primary is nearly depleted. Low battery indicator. Sheet is fully protected until dispensed.

Installation

Verify all rough-in dimensions prior to installation. Secure to wall using convenient mounting slots and use appropriate mounting devices supplied by installer.

- Model 2494 fits inside Model 2271, and the two units can be combined to create a multi-purpose cabinet.

Guide Specification

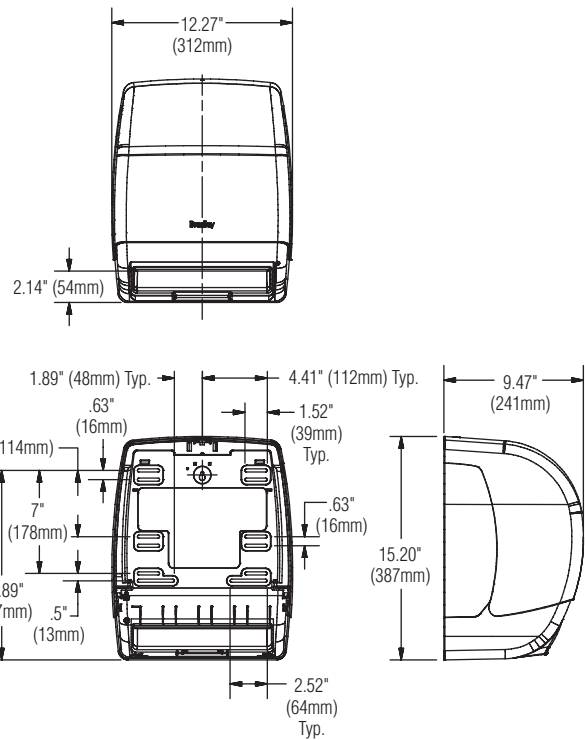
Dispenser housing is fabricated from durable high impact material. The cover shall be fabricated from translucent high impact plastic.

Dispenser shall have a sensor-operated towel dispensing mechanism. The sensor is to be located at a place below the dispenser for natural hand position towel activation and retrieval. Dispenser will be provided with a key activated spring lock. Dispenser shall include a transfer system which will automatically start feeding the paper web of the top roll when the lower roll is nearly depleted. The transfer system, roll holders and door shall be field replaceable. Complies with FCC regulation on EMC.

Overall dimensions: 12¼"W x 15½"H x 9½"D.



Model 2494



Service Parts Available

Description	Part No.
<input type="checkbox"/> Replacement Cover (no logo)	P15-450
<input type="checkbox"/> Key	P15-451
<input type="checkbox"/> AC Conversion Pack	P15-452
<input type="checkbox"/> Replacement Towel Arms	P15-466

Washroom Accessories Document No. 8211

Orders composed of products indicated as **Bradex**[®] will be available to ship in three days after receipt of order at the factory. There is no pricing penalty for this service from Bradley. This information is subject to change without notice.

Always consult local and national codes for proper installation guidelines. Conformity and compliance to local and national codes is the responsibility of the installer.

3/14/2012

© 2012 Bradley Corporation
P.O. Box 309, Menomonee Falls, WI 53052-0309
Phone: 800.BRADLEY (800.272.3539) Fax: 262.253.4161
bradleycorp.com